

# MODERNIZATION CATALOG 2022

IDENTIFICATION  
CAR AND LANDING DOOR







# WITTUR S.A.U. PT

Zona Industrial Quinta do Lavi  
Escritório 17 1ºAndar  
Abrunheira 2710-089 Sintra

☎: +351 21 915 85 20

✉: offers.es@wittur.com



WeFIX



WeHEL<sup>®</sup>



WeKIT



WeMOD



WePACK



wittur.com



**Miguel Angel CORRALES**  
Sales and Marketing Director



**Arnaldo ALMEIDA**  
Africa and Portugal Sales Manager

As a market leader, **Wittur Africa** is supported by centers of competence that are unique in the world: Wittur Spain, Wittur Italy, Wittur Austria, Wittur China ...

We offer you a **new and improved edition** of our modernization catalogue for doors (landing and car).

**Our multi-brand door modernization solutions** are suitable for all applications that you and your service and/or modernization technicians encounter in the field.

This catalogue has been designed by listening to your operational teams in order to offer solutions to your end customer in the shortest possible time.

- Identify car and landing doors easily
- Associated statement sheets
- Quote request support

What is our goal? To provide you with the right tools so that you can develop your activities in the best possible conditions.

Our sales and technical team is at your disposal from Monday to Friday.



# TABLE OF CONTENTS

## IDENTIFICATION CAR AND LANDING DOORS

<b>IDENTIFICATIONS SHEETS - INSTRUCTION .....</b>	<b>7</b>
<b>IDENTIFICATIONS SHEETS - CENTRE OPENING 2 PANELS .....</b>	<b>10</b>
<b>1 EXPENDING VANE / 1 LOCK 2 ROLLERS .....</b>	<b>10</b>
WITTUR-SELCOM-WEGAM - Coupler HYDRAPLUS / Lock HYDRA .....	10
WITTUR-SELCOM-WEGAM - Coupler HYDRARM / Lock HYDRA .....	11
WITTUR-SELCOM-WEGAM - Coupler HYDRABELT / Lock HYDRA .....	12
SLYCMA - Coupler ECOSIL / Lock ECOSIL .....	13
SLYCMA - Coupler DYN / Lock ECOSIL .....	14
SLYCMA - Coupler JET / Lock ECOSIL .....	15
FERMATOR - Coupler 40.10 / Lock 40.10 .....	16
FERMATOR - Coupler 50.11 / Lock 50.11 .....	17
PUARSA - Coupler ARAGON / Lock ARAGON .....	18
MACPUARSA - Coupler REVECO GO / Lock MASSEN EP-05 .....	19
KONE WESTINGHOUSE - Coupler E4A / Lock 1969 .....	20
KONE WESTINGHOUSE - Coupler HYDRA "MOD" / Lock PROKODIS SM90/97 .....	21
OTIS - Coupler PRIMA 9550CC / Lock PRIMA, PRIMA-S & TECHNIA .....	22
OTIS - Coupler TECHNIA DO2000 / Lock PRIMA, PRIMA-S & TECHNIA .....	23
OTIS - Coupler PAX / Lock PRIMA, PRIMA-S .....	24
OTIS - Coupler OVL HP "LIVERPOOL" / Lock 9692 D/C .....	25
SCHINDLER - Coupler QKS11 / Lock C83, C813 & C11 .....	26
SCHINDLER - Coupler VARIDOR 30S / Lock VARILOCK 071 .....	27
THYSSEN - Coupler M2ZD11 - RT300/RT301 / Lock M2TS11 / M2ZS11 .....	28
THYSSEN - Coupler M2ZD11 - VF21/VF400 / Lock M2Z ECD .....	29
THYSSEN - Coupler M2ZD2 / Lock M2ZS2 .....	30
<b>1 EXPENDING VANE / 1 LOCK 3 ROLLERS .....</b>	<b>31</b>
AUTUR - Coupler OV / Lock MR .....	31
MONITOR - Coupler TYPE 85 / Lock 085-OL .....	32
MONITOR - Coupler TYPE 92 / Lock 92 VF .....	33
THYSSEN - Coupler P91 .....	34
THYSSEN SORETEX - Coupler M2ZD4 / Lock M2ZS4 .....	35
THYSSEN SORETEX - Coupler M2ZD6 - BM200 / Lock M2ZS6 .....	36
THYSSEN SORETEX - Coupler M2ZD6 - RT200,RT201 / Lock M2ZS6 .....	37
<b>1 EXPENDING VANE / 1 SPECIAL LOCK .....</b>	<b>38</b>
KONE WESTINGHOUSE - Coupler WESTINGHOUSE / Lock DRIVE BLOCK .....	38
<b>2 EXPENDING VANES / 2 LOCKS 2 ROLLERS .....</b>	<b>39</b>
SCHINDLER - Coupler QKS9 / Lock QKS9Z & C9 .....	39
SCHINDLER - Coupler QKS8 / Lock CC73 & CC75 .....	40
SCHINDLER - Coupler QKS8 / Lock C83 & C813 .....	41
SCHINDLER - Coupler VARIDOR 30 / Lock VARILOCK 071 .....	42
SCHINDLER - Coupler VARIDOR 50 / Lock VARILOCK 50 H .....	43
FORSID - Coupler EUROPA / Lock ZIP .....	44
FORSID - Coupler ZIP / Lock ZIP .....	45
SEMATIC - Coupler 2000 B / Lock 2000 B .....	46
SEMATIC - Coupler 2000 C-MOD / Lock 2000 C-MOD .....	47
<b>1 FIXED VANE / 1 LOCK 1 ROLLER .....</b>	<b>48</b>
FERMATOR .....	48
SLYCMA - Coupler DELLERBA / Lock DELLERBA .....	49
<b>1 FIXED VANE / 1 LOCK 2 ROLLERS .....</b>	<b>50</b>
OTIS - Coupler NEW YORK 6970 / Lock NEW YORK .....	50
OTIS - Coupler NEW YORK / Lock NEW YORK .....	51
THYSSEN SORETEX .....	52
THYSSEN SORETEX .....	53
THYSSEN - Coupler CENIA BAKAR .....	54
<b>1 FIXED VANE / 1 LOCK 3 ROLLERS .....</b>	<b>55</b>
OTIS - Coupler ORLY / Lock 9940 .....	55
OTIS - Coupler EUROPA / Lock 9940 .....	56
OTIS - Coupler LM / Lock 9940 .....	57
<b>1 FIXED VANE / 1 LOCK 4 ROLLERS .....</b>	<b>58</b>
SCHINDLER - Coupler C65 / Lock C65 .....	58
<b>1 FIXED VANE / 1 SPECIAL LOCK .....</b>	<b>59</b>
COMPORTEL .....	59
<b>2 FIXED VANES / 2 LOCKS 1 ROLLER .....</b>	<b>60</b>
CANOSSA - Coupler COMPACT / Lock HOOK LOCK .....	60
IGV - Coupler TYPE 74, 83, 94 / Lock TYPE 74, 83, 94 .....	61

Any other reproduction in any form without Wittur permission is prohibited. Text and photos are non-contractual and are subject to change without notice.

# TABLE OF CONTENTS

## IDENTIFICATION CAR AND LANDING DOORS

<b>2 FIXED VANES / 2 LOCKS 2 ROLLERS</b> .....	<b>62</b>
FIAM - Coupler SERIE A .....	62
<b>2 FIXED VANES / 2 LOCKS 3 ROLLERS</b> .....	<b>63</b>
WITTUR-SELCOM-WEGAM - Coupler WORLY SP2 - S259 / Lock WORLY SP2 - S253 .....	63
<b>1 "PINSHING" VANE / 1 LOCK 2 ROLLERS</b> .....	<b>64</b>
ASKO KOMEPA - Lock K90 .....	64
ALJO - Lock E1-AL "Ø50" .....	65
FIAM .....	66
KONE WESTINGHOUSE - Coupler KONE RENOVA "MOD" / Lock PROKODIS SM90/97 .....	67
KONE - Coupler ADM-ADR / Lock ADM-ADR .....	68
KONE - Coupler ADB-ADE-OAK / Lock OAK45 .....	69
KONE - Coupler ADB-ADE-OAK "OP ADC" / Lock OAK45 .....	70
KONE - Coupler ADC-ADF / Lock ADL .....	71
KONE "WITTUR AMD" - Coupler AMDC1C / Lock AMDL1-R2 .....	72
KONE "WITTUR AMD" - Coupler REN200C "R" / Lock AMDL1-R1 .....	73
KONE - Coupler STARLIFT / Lock STARLIFT .....	74
THYSSEN - Coupler PAP-13 .....	75
<b>2 "PINSHING" VANES / 2 LOCKS 2 ROLLERS</b> .....	<b>76</b>
KONE - Coupler ADX / Lock ADX .....	76
ORONA .....	77
<b>1 SPECIAL COUPLER / 1 SPECIAL LOCK</b> .....	<b>78</b>
ARTIS - Coupler ACC / Lock APC .....	78
<b>IDENTIFICATIONS SHEETS - SIDE OPENING 2 PANELS</b> .....	<b>80</b>
<b>1 EXPENDING VANE / 1 LOCK 2 ROLLERS</b> .....	<b>80</b>
WITTUR-SELCOM-WEGAM - Coupler HYDRAPLUS / Lock HYDRA .....	80
WITTUR-SELCOM-WEGAM - Coupler HYDRARM / Lock HYDRA .....	81
WITTUR-SELCOM-WEGAM - Coupler HYDRABELT / Lock HYDRA .....	82
PUARSA - Coupler ARAGON / Lock ARAGON .....	83
MACPUARSA - Coupler REVECO 2 / Lock MASSEN PA91D .....	84
MACPUARSA - Coupler REVECO GO / Lock MASSEN EP-05 .....	85
FERMATOR - Coupler 40.10 / Lock 40.10 .....	86
FERMATOR - Coupler 50.11 / Lock 50.11 .....	87
FORSID - Coupler EUROPA / Lock ZIP .....	88
FORSID - Coupler ZIP / Lock ZIP .....	89
KONE WESTINGHOUSE - Coupler E4A / Lock 1969 .....	90
KONE WESTINGHOUSE - Coupler E4A / Lock PROKODIS SM90/97 .....	91
OTIS - Coupler PRIMA 9550CC / Lock PRIMA, PRIMA-S & TECHNIA .....	92
OTIS - Coupler TECHNIA / Lock PRIMA, PRIMA-S & TECHNIA .....	93
OTIS - Coupler PAX / Lock PRIMA, PRIMA-S .....	94
PRISMA - Coupler LINEAR D.O.S .....	95
SCHINDLER - Coupler QKS8 / Lock T82 & T812 (T83) .....	96
SCHINDLER - Coupler QKS8T / Lock QKS8T .....	99
SCHINDLER - Coupler QKS8 / Lock CT72 & CT74 .....	98
SCHINDLER - Coupler QKS8T / Lock T82 & T11 .....	97
SCHINDLER - Coupler QKS11 / Lock T82, T812 & T11 (T83) .....	100
SCHINDLER - Coupler VARIDOR 10 / Lock T11 .....	101
SCHINDLER - Coupler VARIDOR 30 / Lock VARILOCK 071 .....	102
SCHINDLER - Coupler QKS9 / Lock QKS9T & C9 .....	103
SEMATIC - Coupler 2000 B / Lock 2000 B .....	104
SEMATIC - Coupler 2000 C-MOD / Lock 2000 C-MOD .....	105
SLYCMA - Coupler ECOSIL / Lock ECOSIL .....	106
SLYCMA - Coupler DYN / Lock ECOSIL .....	107
THYSSEN - Coupler M2TD11 - RT300/RT301 / Lock M2TS11 / M2ZS11 .....	108
THYSSEN - Coupler M2TD11 - VF21/VF400 / Lock M2T ECD .....	109
THYSSEN - Coupler M2TD2 / Lock M2TS2 .....	110
THYSSEN - Coupler M2TK8 / Lock M2TS8 A .....	111
THYSSEN - Coupler CENIA AT-84 .....	112
<b>1 EXPENDING VANE / 1 LOCK 3 ROLLERS</b> .....	<b>113</b>
AUTUR - Coupler OV / Lock MR .....	113
MONITOR - Coupler TYPE 85 / Lock 085-OL .....	114
MONITOR - Coupler TYPE 92 / Lock 92 VF .....	115
SLYCMA - Coupler DYN-P / Lock POLYGAM .....	116
SLYCMA - Coupler JET-P / Lock POLYGAM .....	117
THYSSEN SORETEX - Coupler M2TD6 - BM200 / Lock M2TS6 .....	118



# TABLE OF CONTENTS

## IDENTIFICATION CAR AND LANDING DOORS

THYSSEN SORETEX - Coupler M2ZD6 - RT200.RT201 / Lock M2TS6 .....	119
THYSSEN SORETEX - Coupler M2TD4 / Lock M2TS4 .....	120
THYSSEN - Coupler P91 .....	121
EXCELSIOR .....	122
<b>1 EXPENDING VANE / 1 SPECIAL LOCK .....</b>	<b>123</b>
KONE WESTINGHOUSE - Coupler WESTINGHOUSE / Lock DRIVE BLOCK .....	123
<b>1 FIXED VANE / 1 LOCK 1 ROLLER .....</b>	<b>124</b>
CANOSSA - Coupler COMPACT / Lock KRONENBERG LOCK .....	124
FERMATOR .....	125
IGV - Coupler TYPE 74, 83, 94 / Lock TYPE 74, 83, 94 .....	126
SLYUMA - Coupler DELLERBA / Lock DELLERBA .....	127
<b>1 FIXED VANE / 1 LOCK 2 ROLLERS .....</b>	<b>128</b>
EFACEC .....	128
CAMUS .....	129
THYSSEN - Coupler PAP-10 / Lock TIPO C-8 .....	130
THYSSEN SORETEX .....	131
THYSSEN SORETEX .....	132
THYSSEN SORETEX .....	133
OTIS - Coupler NEW YORK 6970 / Lock NEW YORK .....	134
OTIS - Coupler NEW YORK / Lock NEW YORK .....	135
FIAM - Coupler SERIE A .....	136
<b>1 FIXED VANE / 1 LOCK 3 ROLLERS .....</b>	<b>137</b>
WITTUR-SELCOM-WEGAM - Coupler WORLY SP2 - S279 / Lock WORLY SP2 - S273 .....	137
OTIS - Coupler EUROPA / Lock 9940 .....	138
OTIS - Coupler LM / Lock 9940 .....	139
<b>1 FIXED VANE / 1 LOCK 4 ROLLERS .....</b>	<b>140</b>
SCHINDLER - Coupler C66 / Lock C66 .....	140
<b>1 FIXED VANE / 1 SPECIAL LOCK .....</b>	<b>141</b>
COMPORTEL .....	141
<b>1 "PINSHING" VANE / 1 LOCK 2 ROLLERS .....</b>	<b>142</b>
ALJO - Lock E1-AL-2 "Ø28" .....	142
ALJO - Lock E1-AL "Ø50" .....	143
ASKO KOMEPA - Lock K90 .....	144
FERMATOR .....	145
CMM - Coupler EURO 91 / Lock EURO 91 - 0051 .....	146
ORONA .....	147
KONE - Coupler ADM-ADR / Lock ADM-ADR .....	148
KONE - Coupler ADB-ADE-OAK / Lock OAK45 .....	149
KONE - Coupler ADC-ADF / Lock ADL .....	150
KONE - Coupler ADX / Lock ADX .....	151
KONE "WITTUR AMD" - Coupler AMDC2R/L - ADV2R/L / Lock AMDL2-R1 - ADV2 .....	152
KONE "WITTUR AMD" - Lock AMDL2-R2 .....	153
KONE WESTINGHOUSE - Coupler HYDRA "MOD" / Lock PROKODIS SM90/97 .....	154
KONE - Coupler STARLIFT / Lock STARLIFT .....	155
FIAM .....	156
<b>1 SPECIAL COUPLER / 1 SPECIAL LOCK .....</b>	<b>157</b>
KONE - Coupler STARLIFT / Lock STARLIFT .....	157
THYSSEN - Coupler PAP-12 / Lock TIPO C-9 .....	158
OTIS - Coupler ALCALA II / Lock 23400 A .....	159
<b>INDEX .....</b>	<b>160</b>
<b>INDEX ID .....</b>	<b>162</b>
<b>APPENDIX .....</b>	<b>163</b>
<b>QUOTATION REQUEST .....</b>	<b>164</b>
<b>SURVEY FORM .....</b>	<b>166</b>
<b>WITTUR SPARE PARTS .....</b>	<b>170</b>
<b>THANKS .....</b>	<b>171</b>



### CONTENT

**1** Door type identification  
*2 pannels central or side opening*

**2** Coupler type and quantity identification  
*Type : expending, fixed, pinshing & special  
Quantity : 1, 2 couplers or special coupler*

**3** Number of locks and rollers  
*Locks : 1, 2 locks or special locks  
Rollers : 1, 2, 3, 4 rollers, 2 hooks or others*

CONTENTS	
<b>Identifications sheets - CENTRE PARTING 2 PANELS</b>	<b>10</b>
<b>1 EXPENDING VANE / 1 LOCK 2 ROLLERS</b>	<b>10</b>
WITTUR-SELCOM-WEGAM - Coupler HYDRAPLUS / Lock HYDRA	10
WITTUR-SELCOM-WEGAM - Coupler HYDRARM / Lock HYDRA	11
WITTUR-SELCOM-WEGAM - Coupler HYDRABELT / Lock HYDRA	12
SLYCMA - Coupler ECOSIL / Lock ECOSIL	13
SLYCMA - Coupler DYN / Lock ECOSIL	14
SLYCMA - Coupler JET / Lock ECOSIL	15
FERMATOR - Coupler 40.10 / Lock 40.10	16
FERMATOR - Coupler 50.11 / Lock 50.11	17
PUERSA - Coupler ARAGON / Lock ARAGON	18

### ID SHEET Upper part "identification"



Code : Unique identification code

WITTUR.COM  
**OTIS**  
Code : ID0064A

EUROPA      9940

Stock availability  
For more details, check page "Car doors availably from stock"

	2 pannels central opening "02C"
	2 pannels side opening left or right "12RL" (Sketch as left opening)

**ID SHEET Central part "dimensions"**

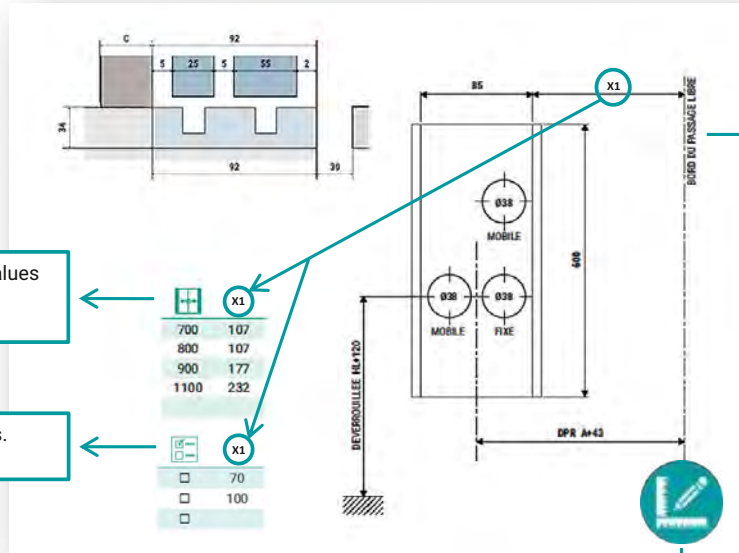
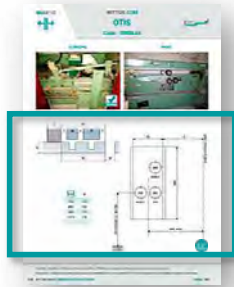


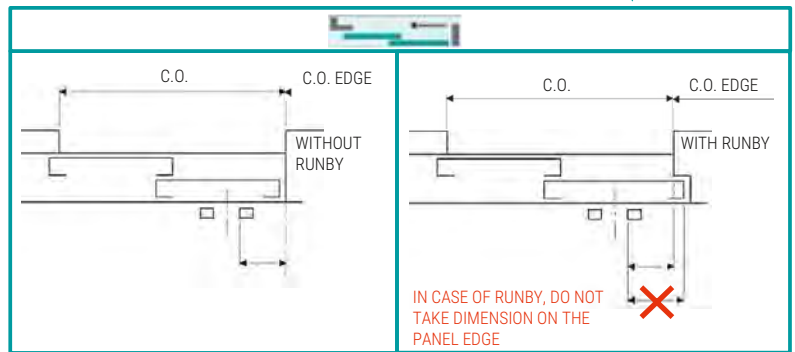
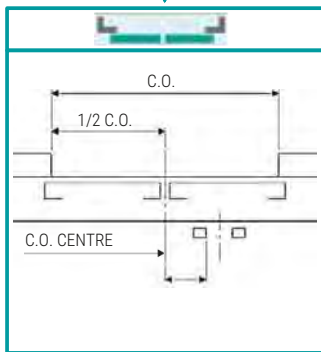
Table with standard standard "X1" values depending on clear opening. Fill in the empty fields if different.

X1	X1
700	107
800	107
900	177
1100	232

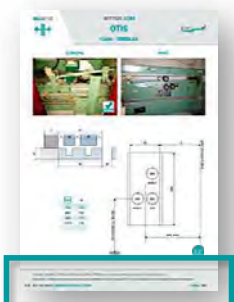
Table with standard "X1" dimensions. Fill in the empty fields if different.

X1
<input type="checkbox"/> 70
<input type="checkbox"/> 100
<input type="checkbox"/>

One or several values are missing or to be confirmed



**ID SHEET Lower part "nota"**



Important : Important : Vérifier les côtes et les modifier si différentes. Les relevés de cames et serrures sont vus depuis le palier.  
Informations : Interdiction de reproduction sans accord préalable et écrit de la société WITTUR. Photos et textes non contractuels et soumis à modification.  
114 WITTUR GROUP | MODERNIZATION SOLUTIONS Version V02

**Important :**  
Check the measure and change if different. Coupler and lock are drawn from the floor.



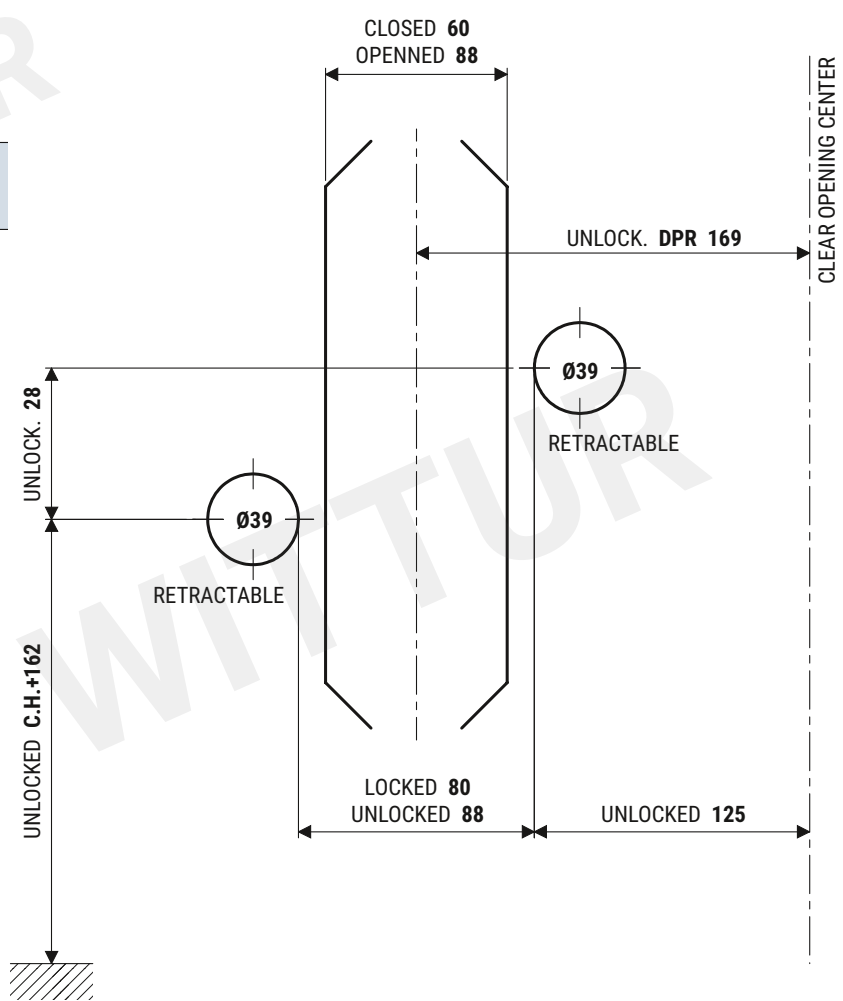
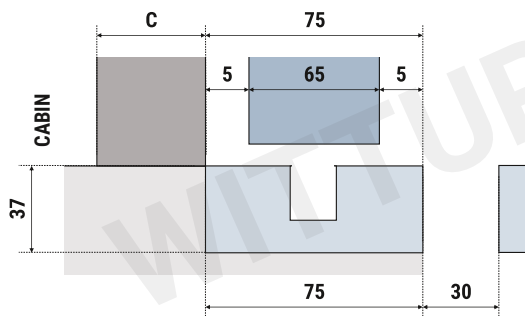
## CENTRE OPENING 2 PANELS





HYDRAPLUS

HYDRA

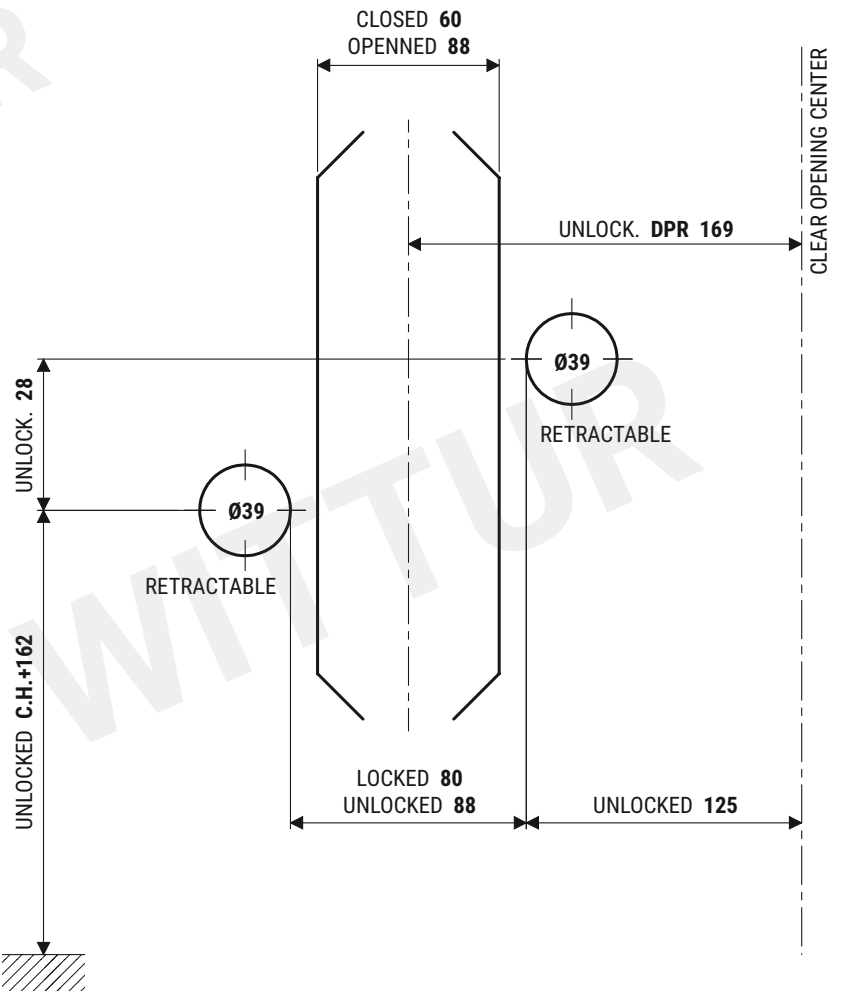
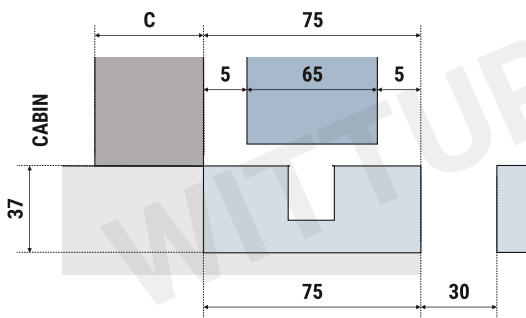


Important : Check the measure and change if different. Coupler and lock are drawn from the floor.

Informations : Any other reproduction in any form without Wittur permission is prohibited. Text and photos are non-contractual and are subject to change without notice.

### HYDRARM

### HYDRA

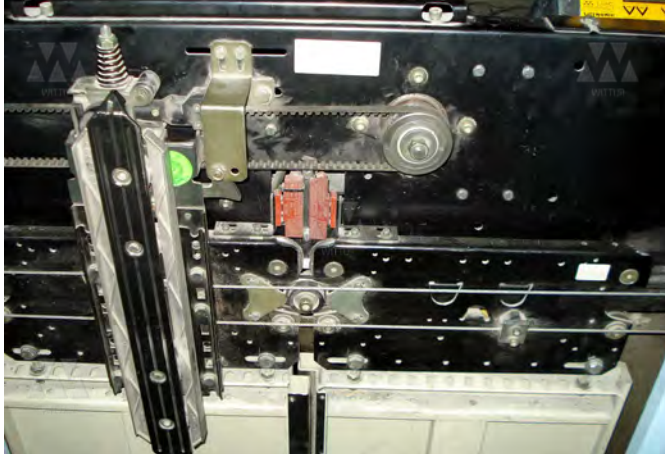


Important : Check the measure and change if different. Coupler and lock are drawn from the floor.

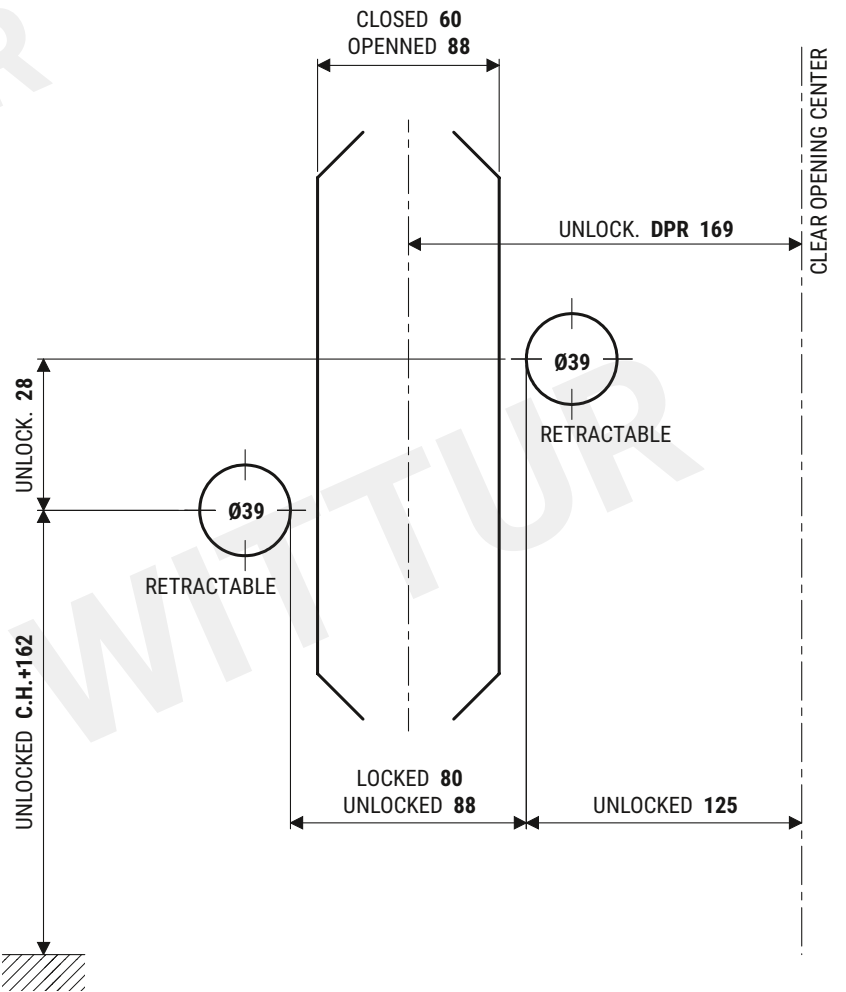
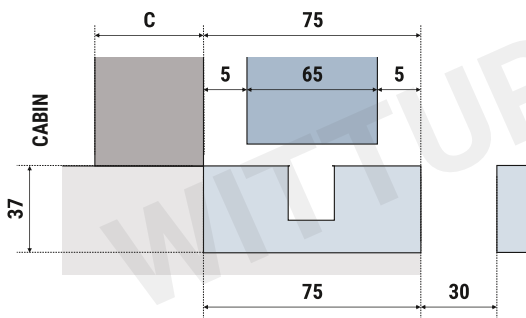
Informations : Any other reproduction in any form without Wittur permission is prohibited. Text and photos are non-contractual and are subject to change without notice.



HYDRABELT



HYDRA



Important : Check the measure and change if different. Coupler and lock are drawn from the floor.

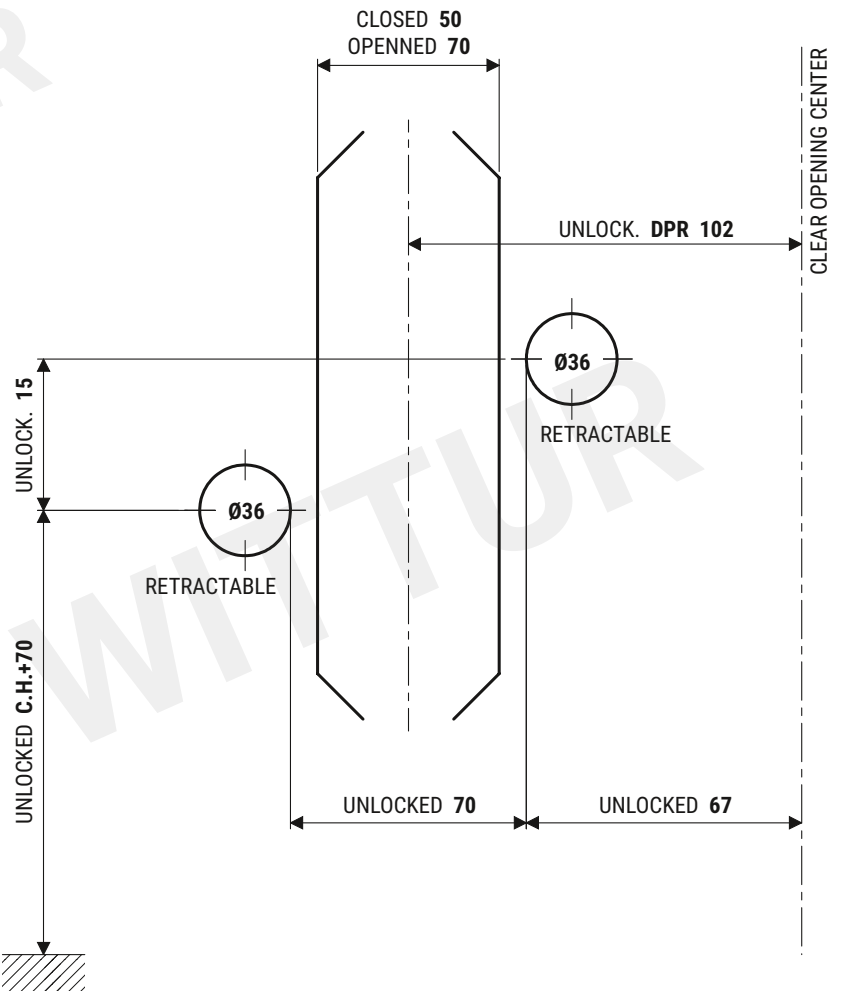
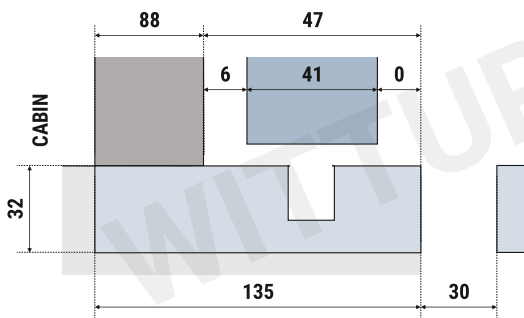
Informations : Any other reproduction in any form without Wittur permission is prohibited. Text and photos are non-contractual and are subject to change without notice.



**ECOSIL**



**ECOSIL**



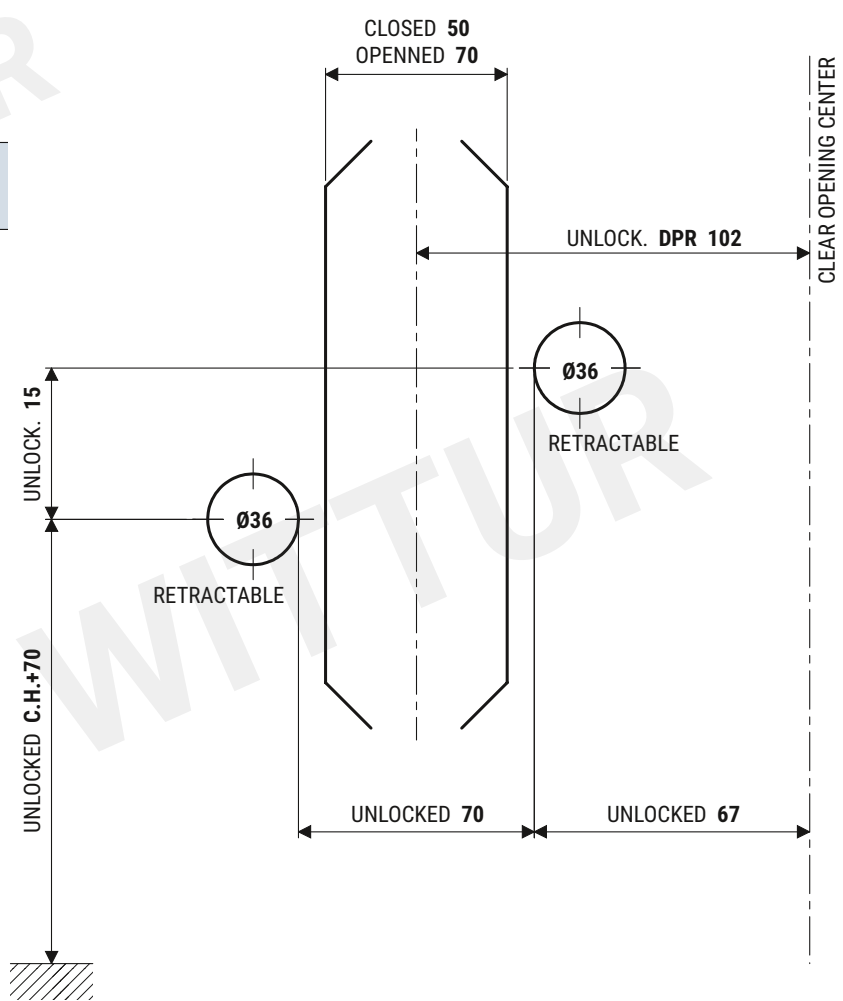
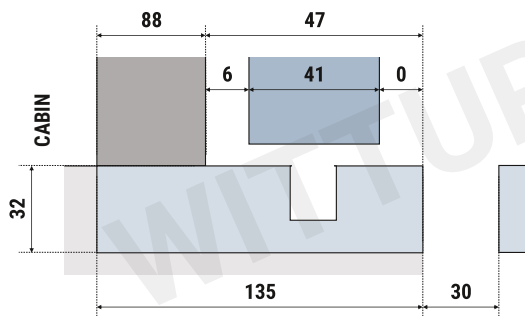
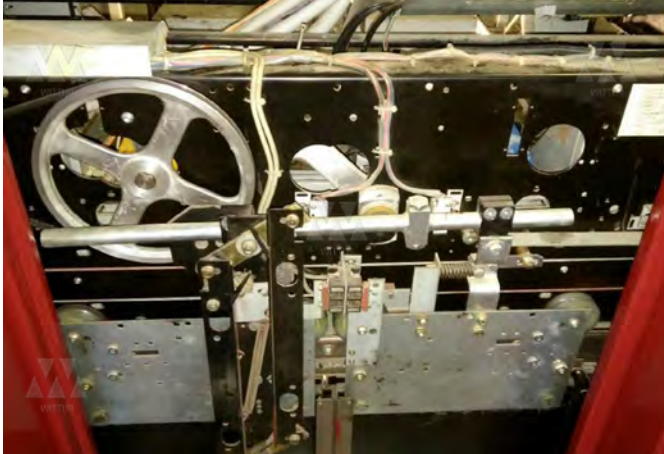
Important : Check the measure and change if different. Coupler and lock are drawn from the floor.

Informations : Any other reproduction in any form without Wittur permission is prohibited. Text and photos are non-contractual and are subject to change without notice.



DYN

ECOSIL



Important : Check the measure and change if different. Coupler and lock are drawn from the floor.

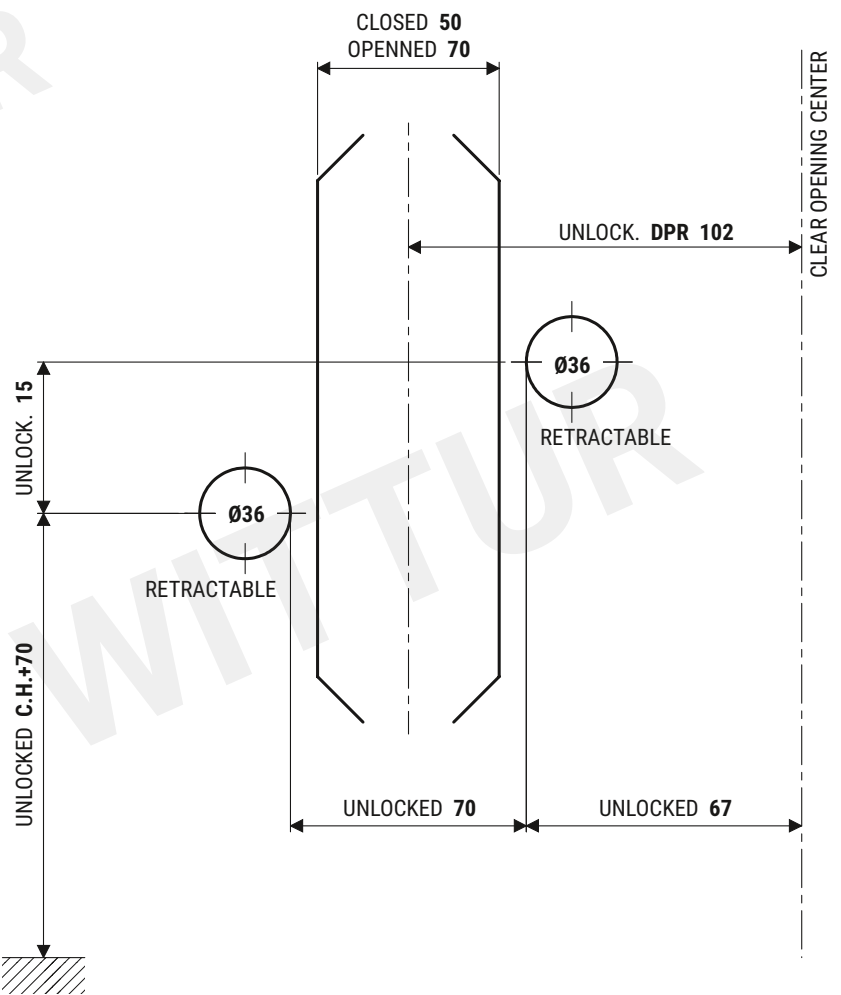
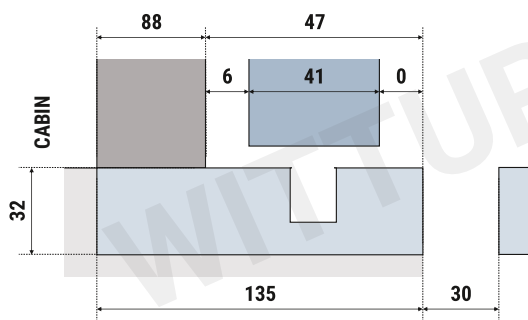
Informations : Any other reproduction in any form without Wittur permission is prohibited. Text and photos are non-contractual and are subject to change without notice.

WeMOD  
**SLYCMA**  
**ID0008A**



**JET**

**ECOSIL**



Important : Check the measure and change if different. Coupler and lock are drawn from the floor.

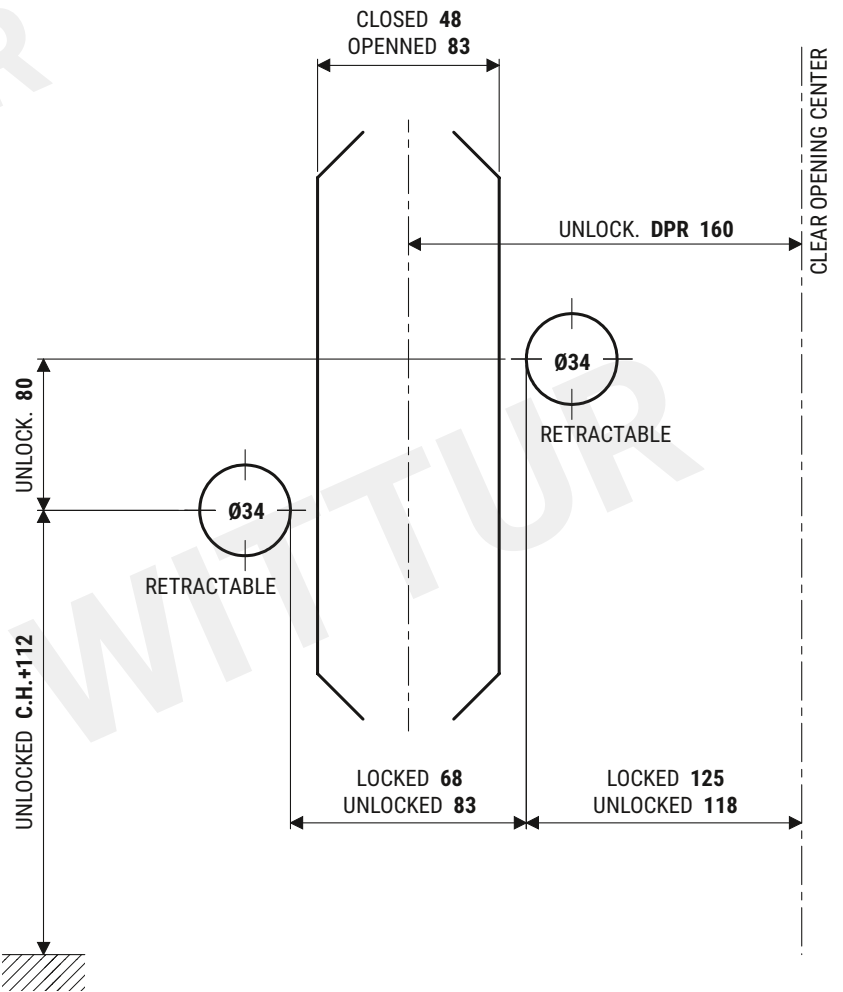
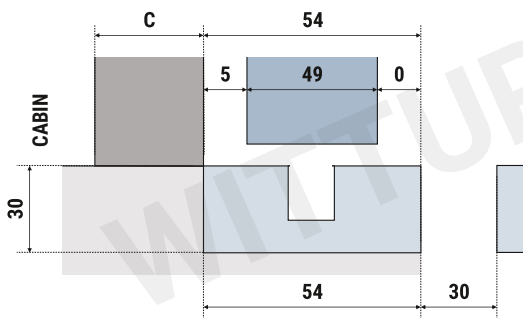
Informations : Any other reproduction in any form without Wittur permission is prohibited. Text and photos are non-contractual and are subject to change without notice.



40.10



40.10



Important : Check the measure and change if different. Coupler and lock are drawn from the floor.

Informations : Any other reproduction in any form without Wittur permission is prohibited. Text and photos are non-contractual and are subject to change without notice.

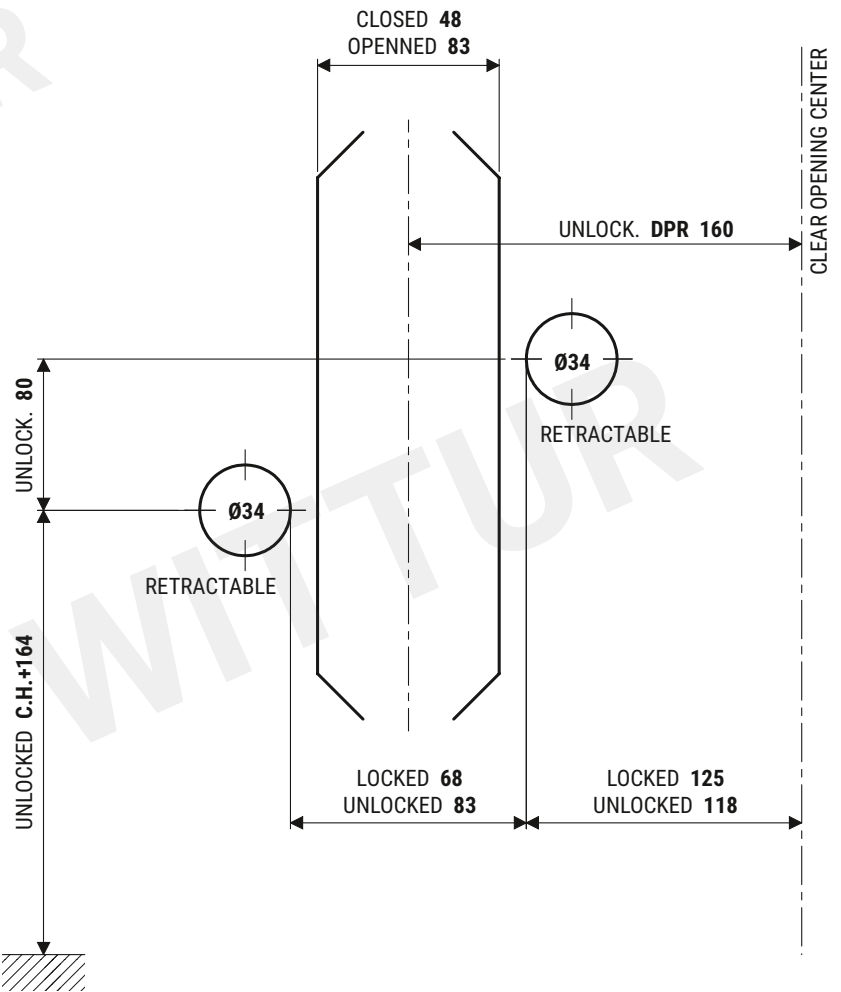
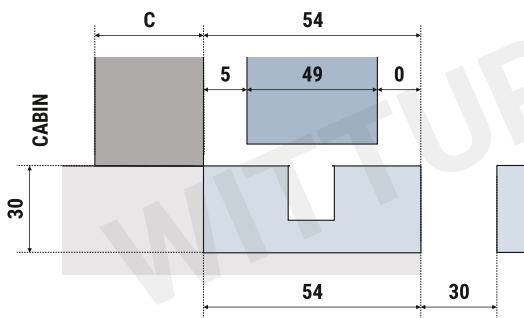




50.11



50.11



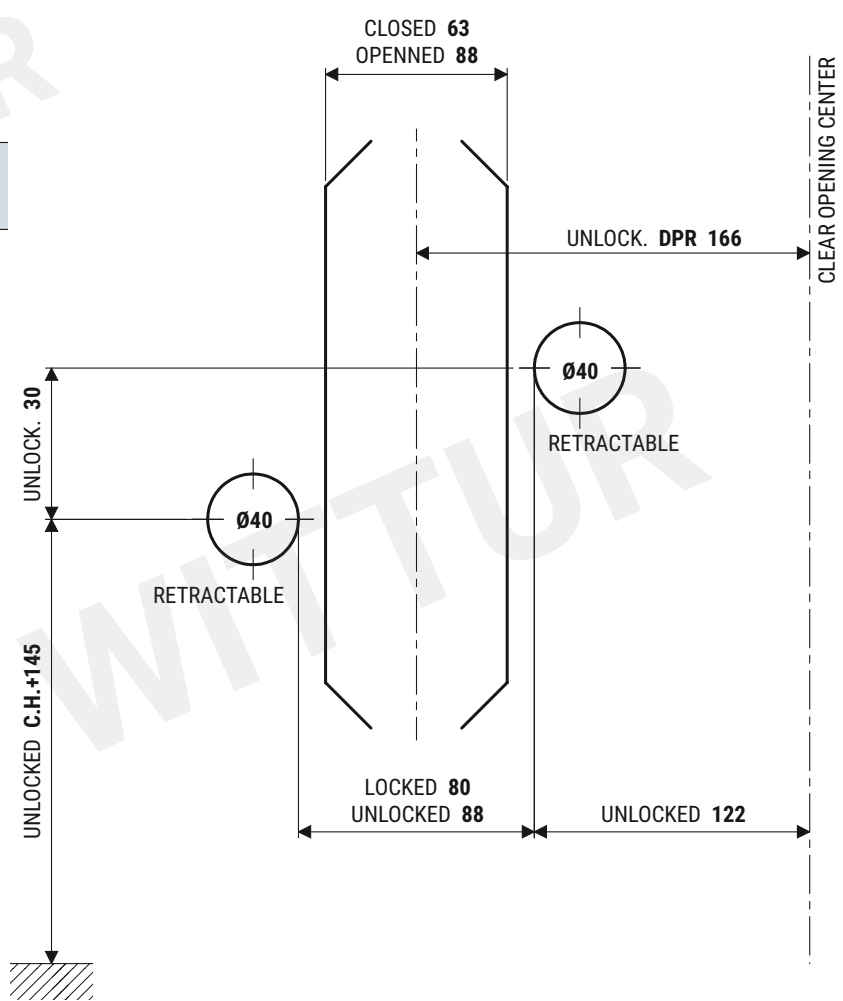
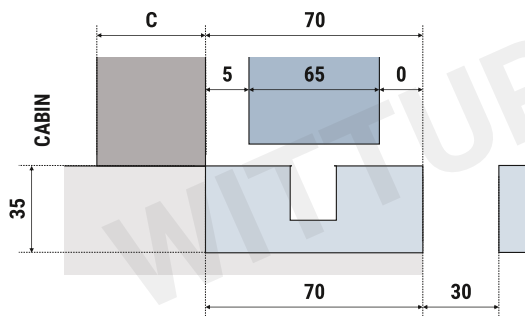
Important : Check the measure and change if different. Coupler and lock are drawn from the floor.

Informations : Any other reproduction in any form without Wittur permission is prohibited. Text and photos are non-contractual and are subject to change without notice.



ARAGON

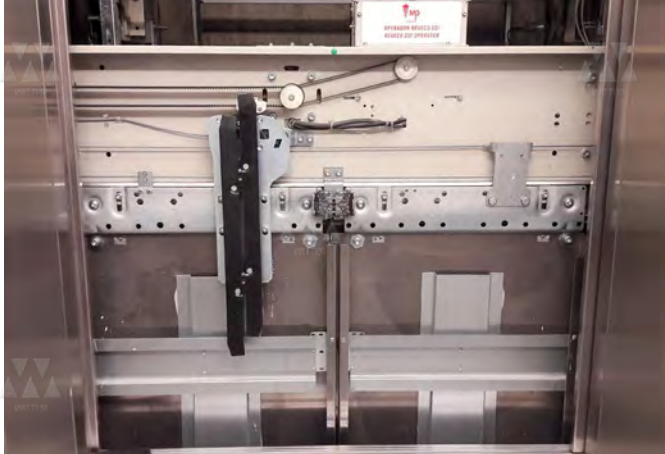
ARAGON



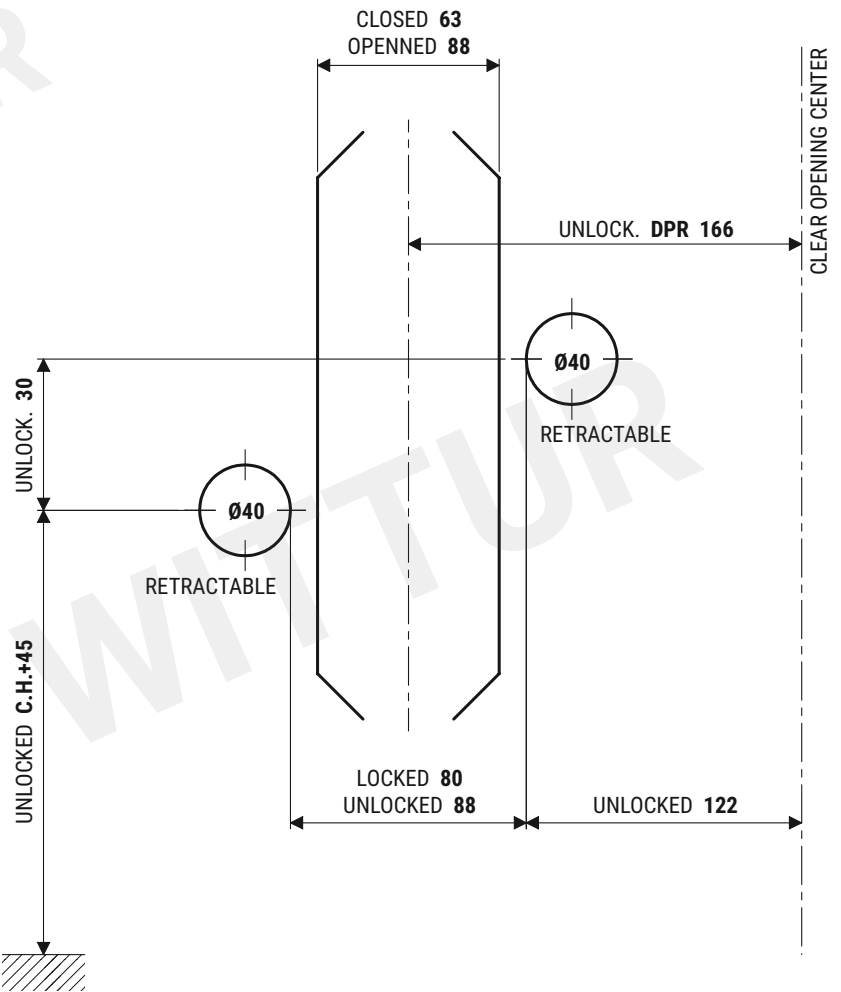
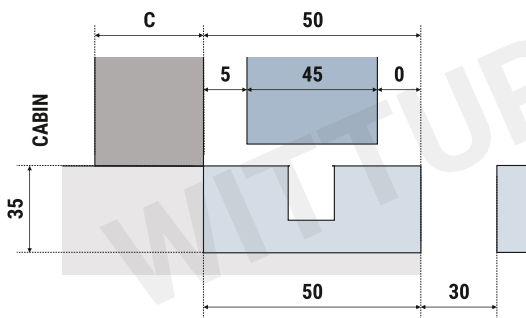
Important : Check the measure and change if different. Coupler and lock are drawn from the floor.

Informations : Any other reproduction in any form without Wittur permission is prohibited. Text and photos are non-contractual and are subject to change without notice.

### REVECO GO



### MASSEN EP-05



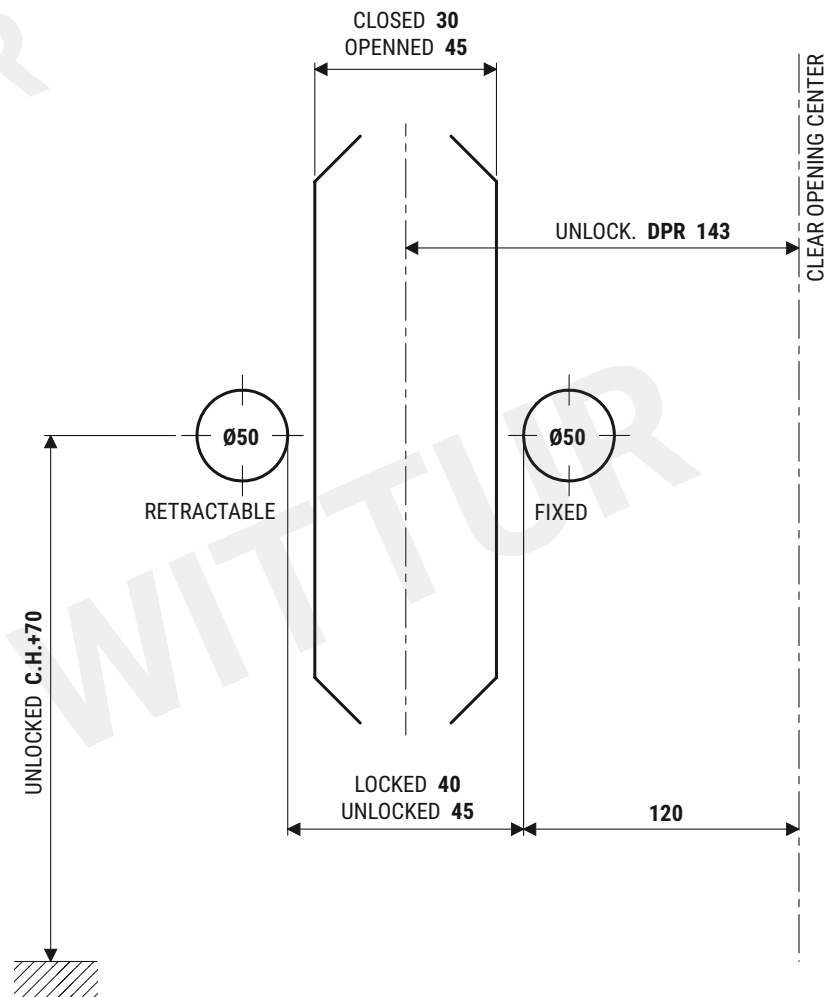
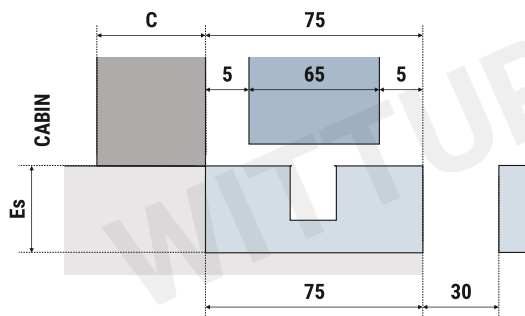
Important : Check the measure and change if different. Coupler and lock are drawn from the floor.

Informations : Any other reproduction in any form without Wittur permission is prohibited. Text and photos are non-contractual and are subject to change without notice.



E4A

1969

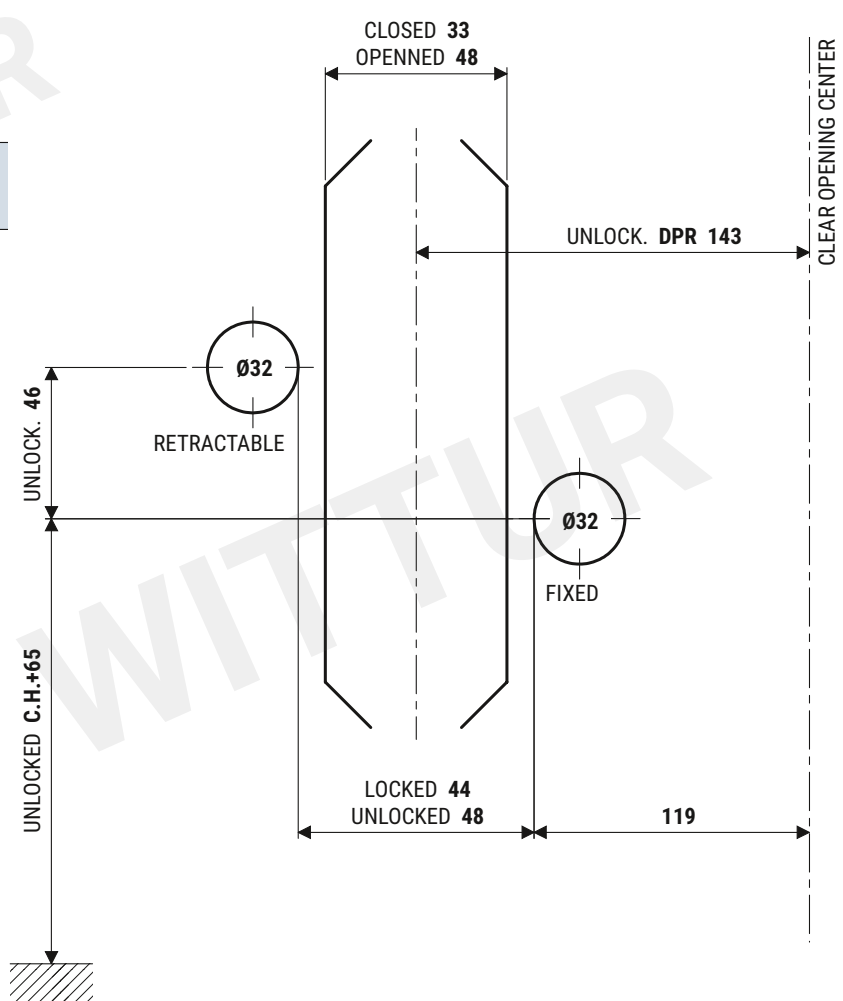
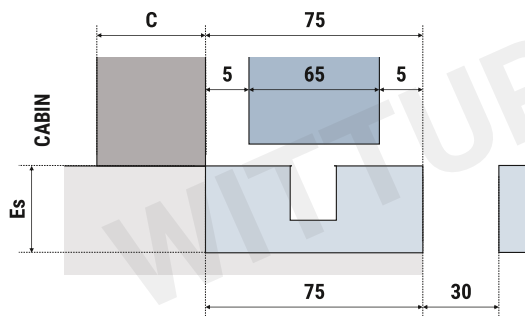


Important : Check the measure and change if different. Coupler and lock are drawn from the floor.

Informations : Any other reproduction in any form without Wittur permission is prohibited. Text and photos are non-contractual and are subject to change without notice.

HYDRA "MOD"

PROKODIS SM90/97



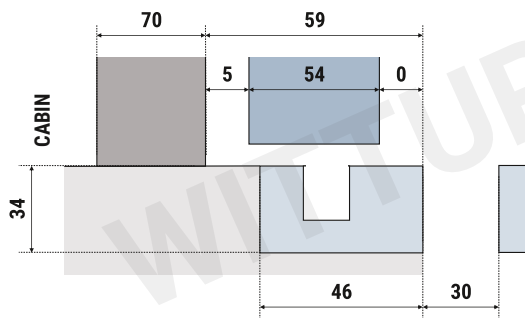
Important : Check the measure and change if different. Coupler and lock are drawn from the floor.

Informations : Any other reproduction in any form without Wittur permission is prohibited. Text and photos are non-contractual and are subject to change without notice.

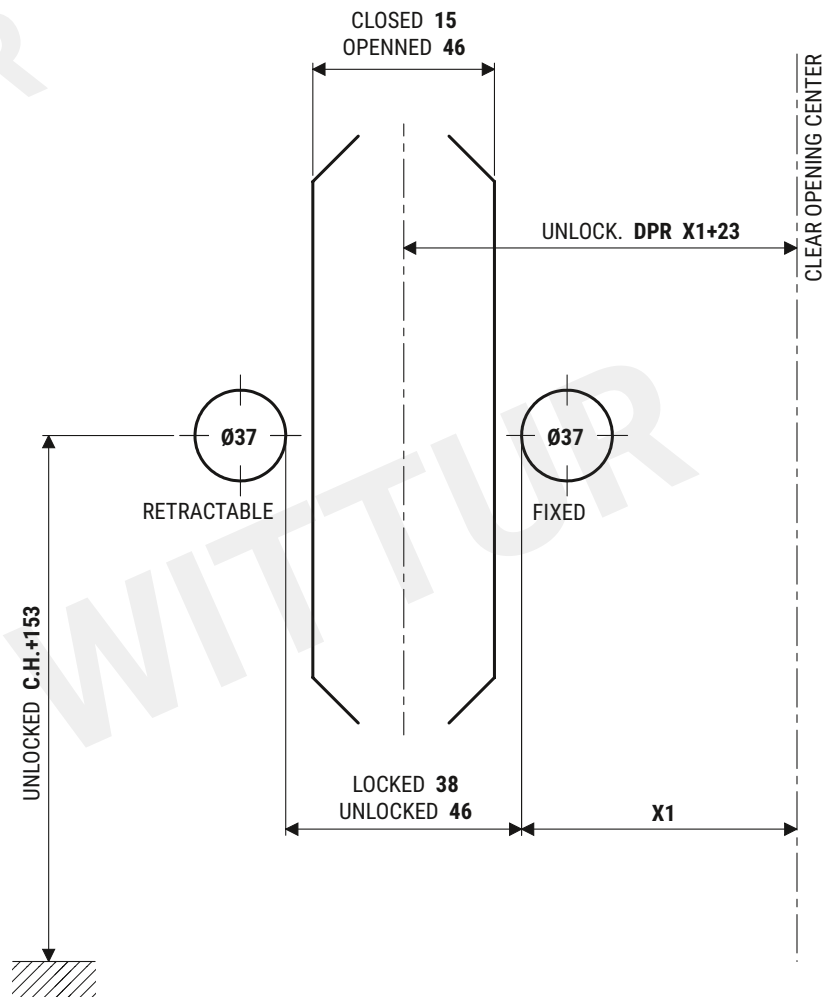


PRIMA 9550CC

PRIMA, PRIMA-S & TECHNA



X1	
800	180
900	205

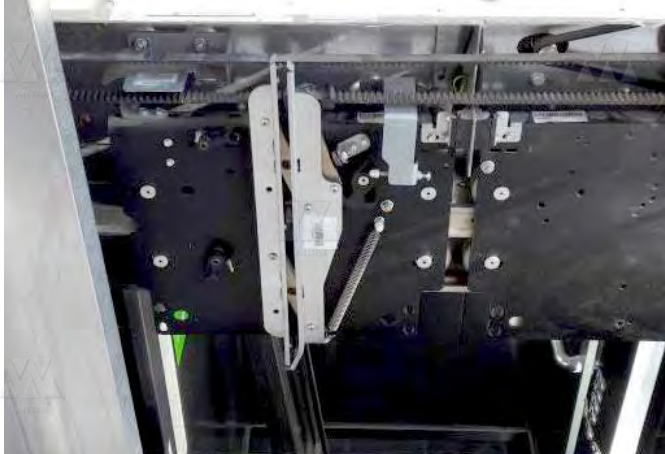


Important : Check the measure and change if different. Coupler and lock are drawn from the floor.

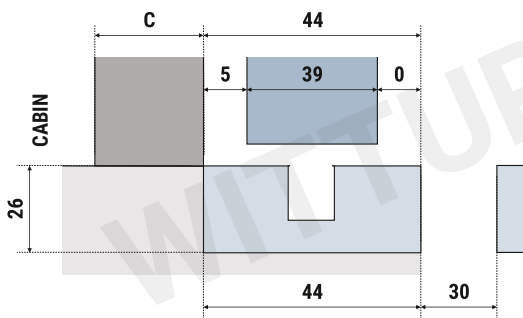
Informations : Any other reproduction in any form without Wittur permission is prohibited. Text and photos are non-contractual and are subject to change without notice.



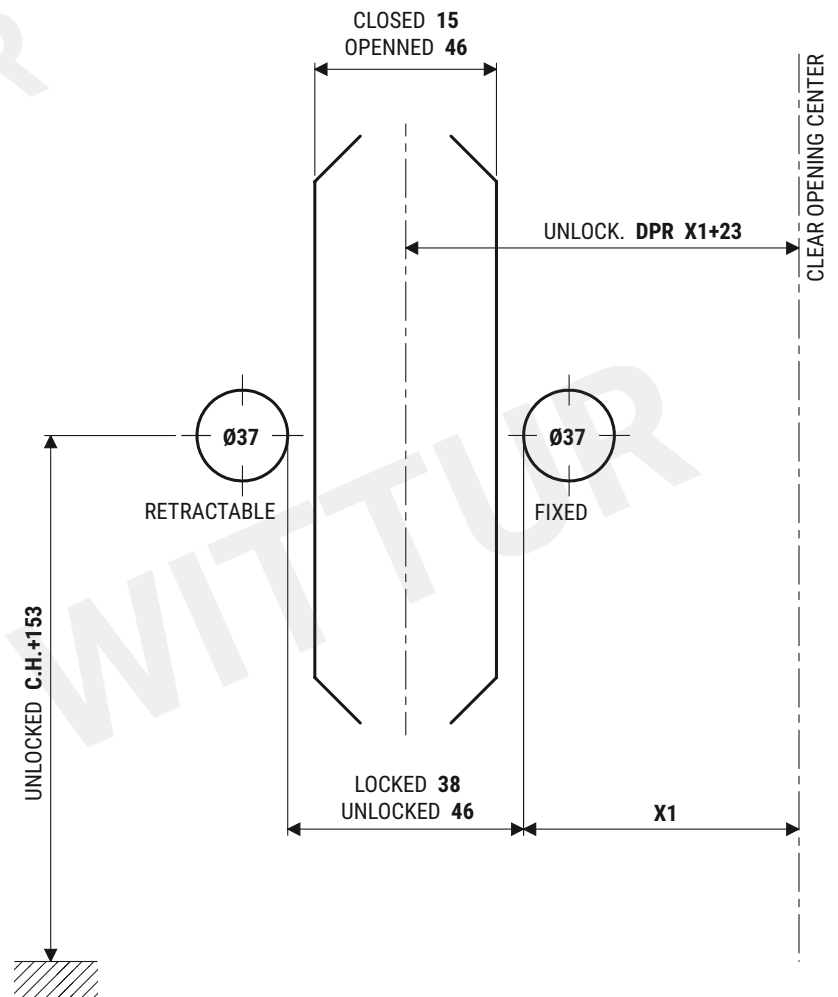
**TECHNA D02000**



**PRIMA, PRIMA-S & TECHNA**



	X1
800	180
900	205
1000	230
1100	256
1200	281
1300	307



Important : Check the measure and change if different. Coupler and lock are drawn from the floor.

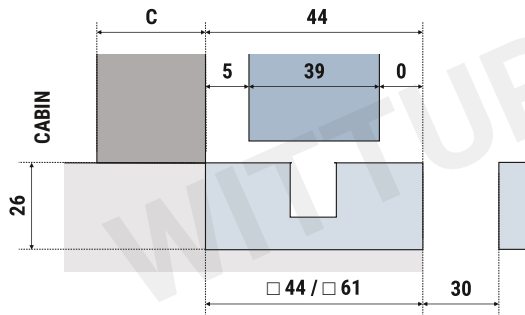
Informations : Any other reproduction in any form without Wittur permission is prohibited. Text and photos are non-contractual and are subject to change without notice.



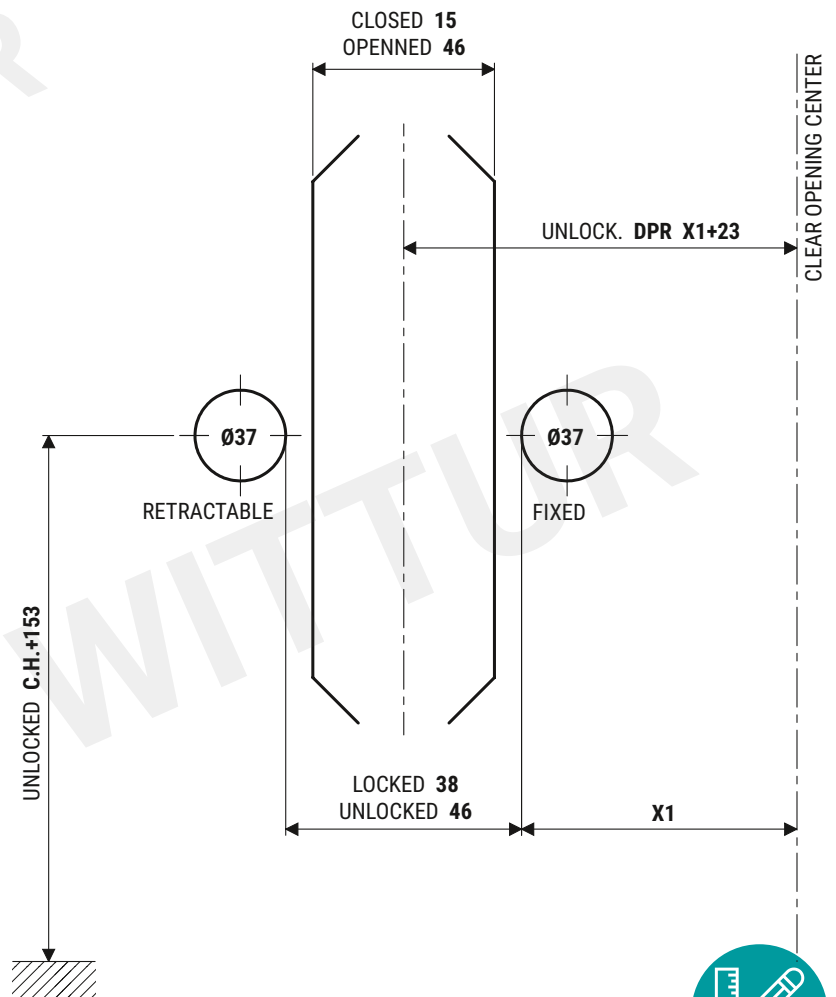
PAX



PRIMA, PRIMA-S



	X1
800	180
900	205



Important : Check the measure and change if different. Coupler and lock are drawn from the floor.

Informations : Any other reproduction in any form without Wittur permission is prohibited. Text and photos are non-contractual and are subject to change without notice.

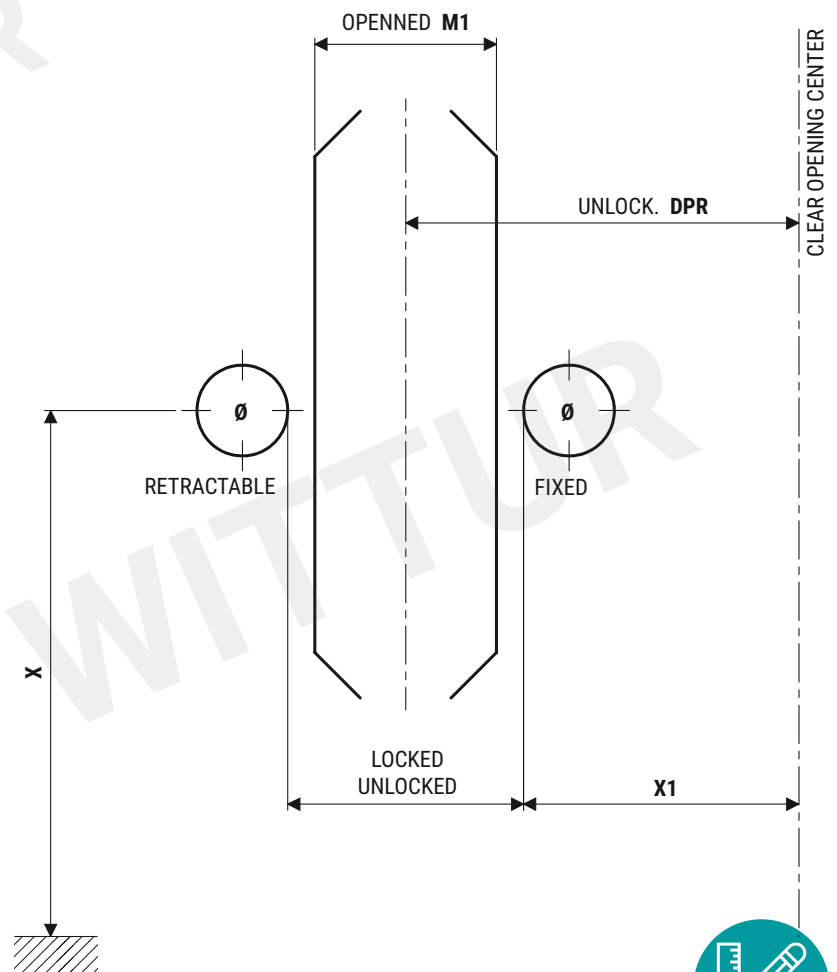
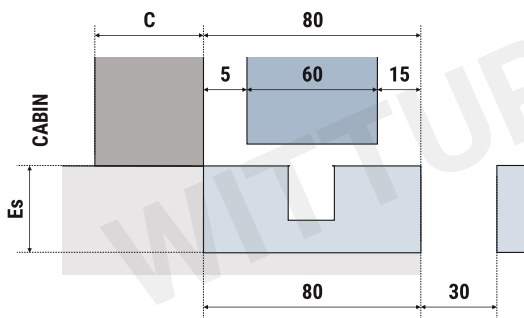




### OVL HP "LIVERPOOL"



### 9692 D/C



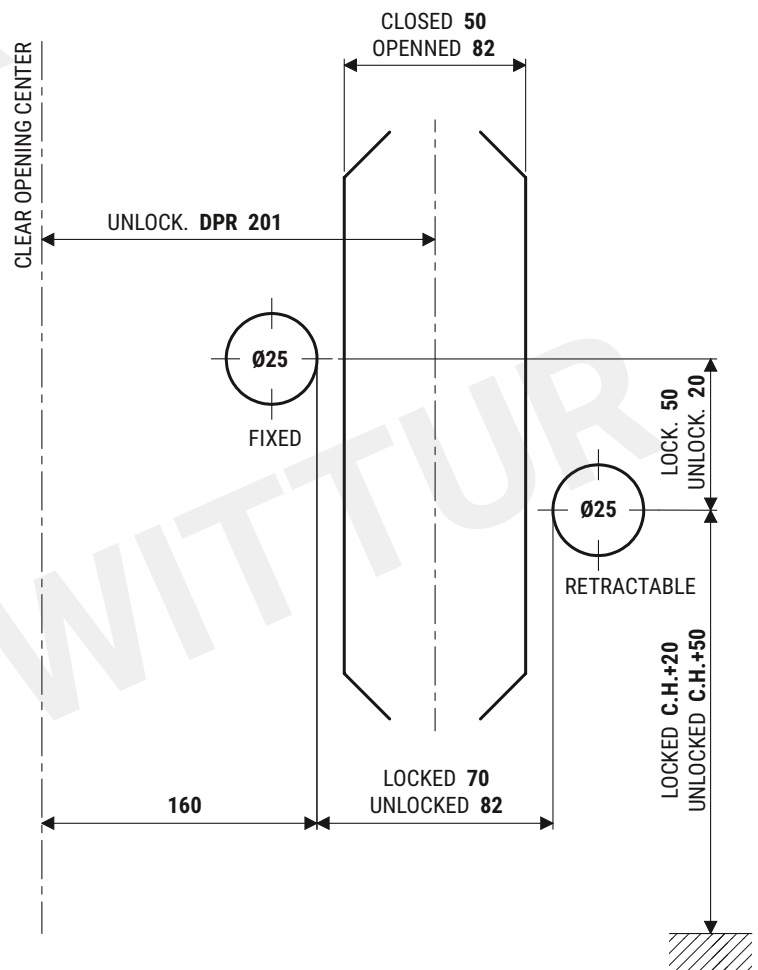
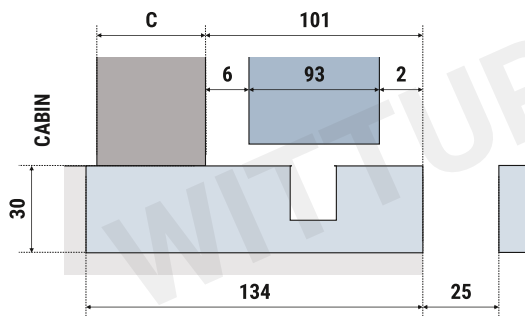
Important : Check the measure and change if different. Coupler and lock are drawn from the floor.

Informations : Any other reproduction in any form without Wittur permission is prohibited. Text and photos are non-contractual and are subject to change without notice.



**QKS11**

**C83, C813 & C11**



Important : Check the measure and change if different. Coupler and lock are drawn from the floor.

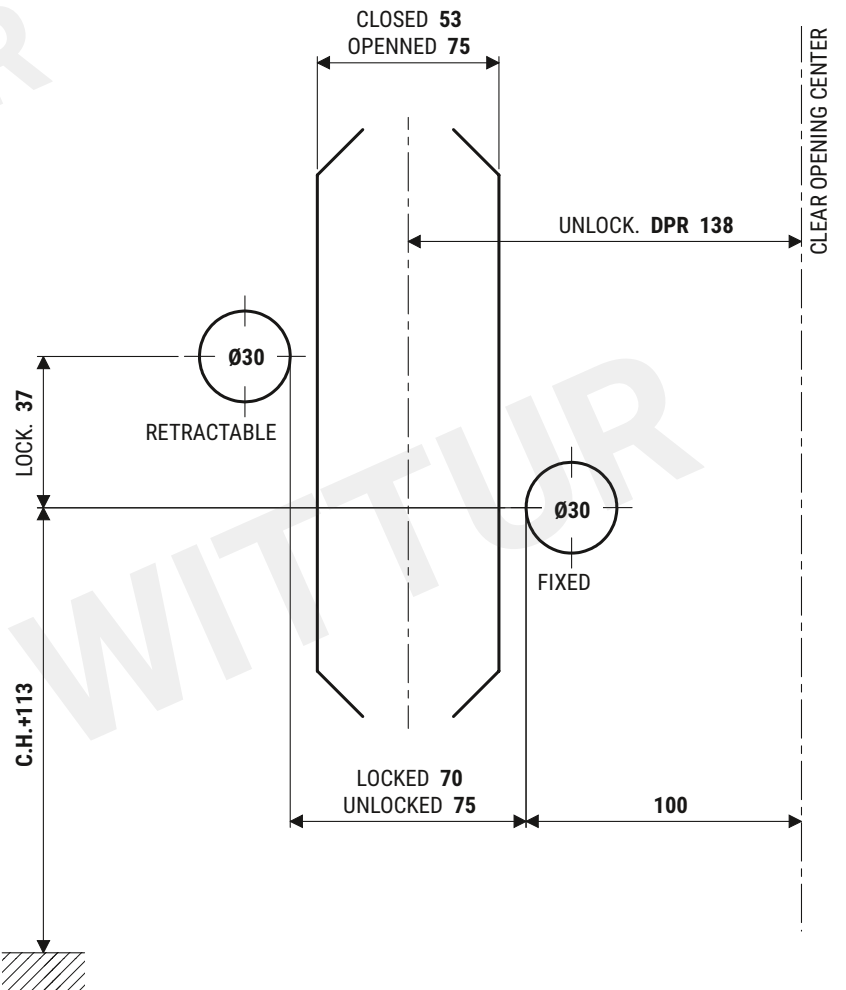
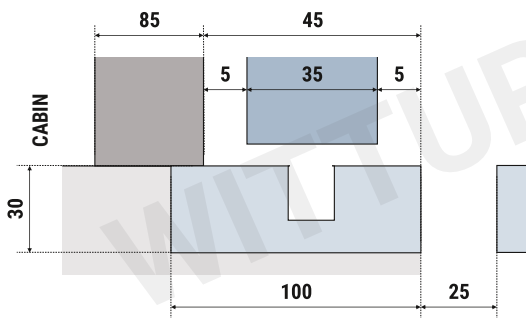
Informations : Any other reproduction in any form without Wittur permission is prohibited. Text and photos are non-contractual and are subject to change without notice.



### VARIDOR 30S



### VARILOCK 071



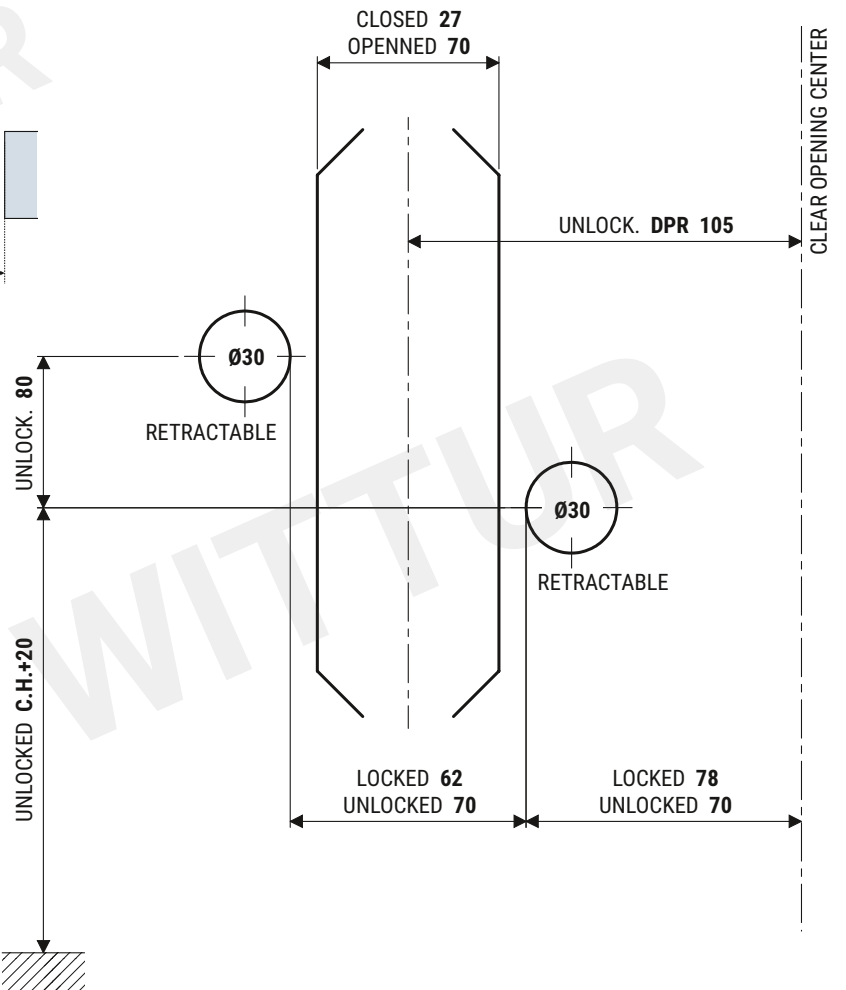
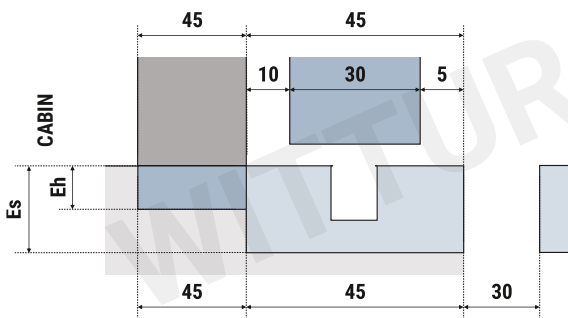
Important : Check the measure and change if different. Coupler and lock are drawn from the floor.

Informations : Any other reproduction in any form without Wittur permission is prohibited. Text and photos are non-contractual and are subject to change without notice.



**M2ZD11 - RT300/RT301**

**M2TS11 / M2ZS11**



Important : Check the measure and change if different. Coupler and lock are drawn from the floor.

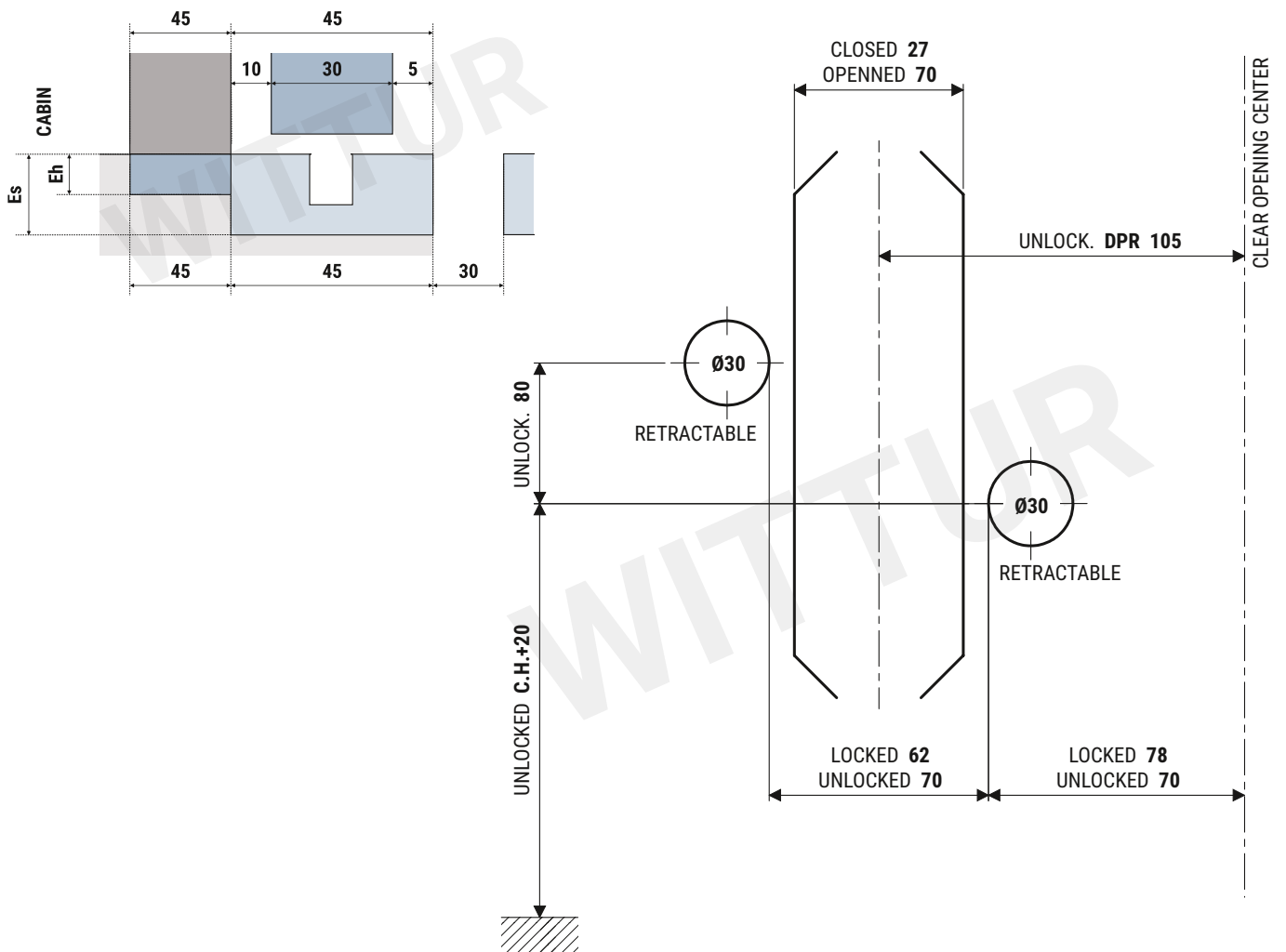
Informations : Any other reproduction in any form without Wittur permission is prohibited. Text and photos are non-contractual and are subject to change without notice.



### M2ZD11 - VF21/VF400



### M2Z ECD



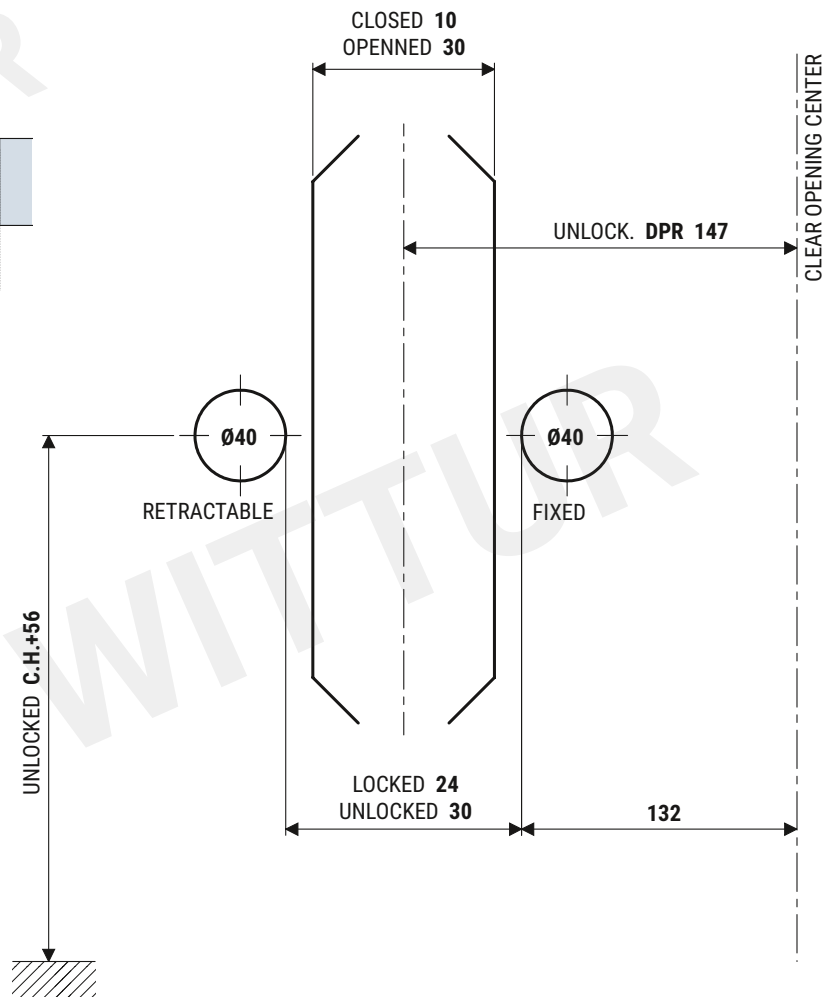
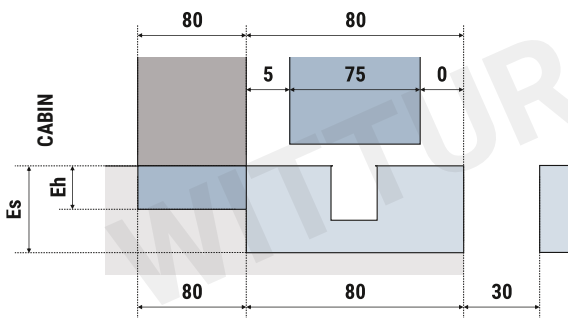
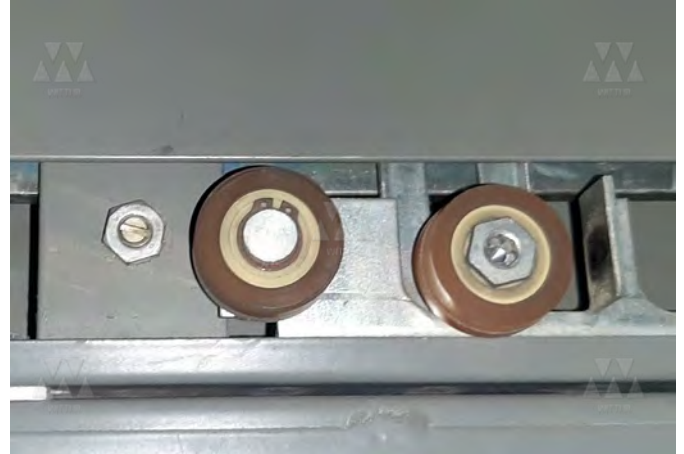
Important : Check the measure and change if different. Coupler and lock are drawn from the floor.

Informations : Any other reproduction in any form without Wittur permission is prohibited. Text and photos are non-contractual and are subject to change without notice.



**M2ZD2**

**M2ZS2**



Important : Check the measure and change if different. Coupler and lock are drawn from the floor.

Informations : Any other reproduction in any form without Wittur permission is prohibited. Text and photos are non-contractual and are subject to change without notice.



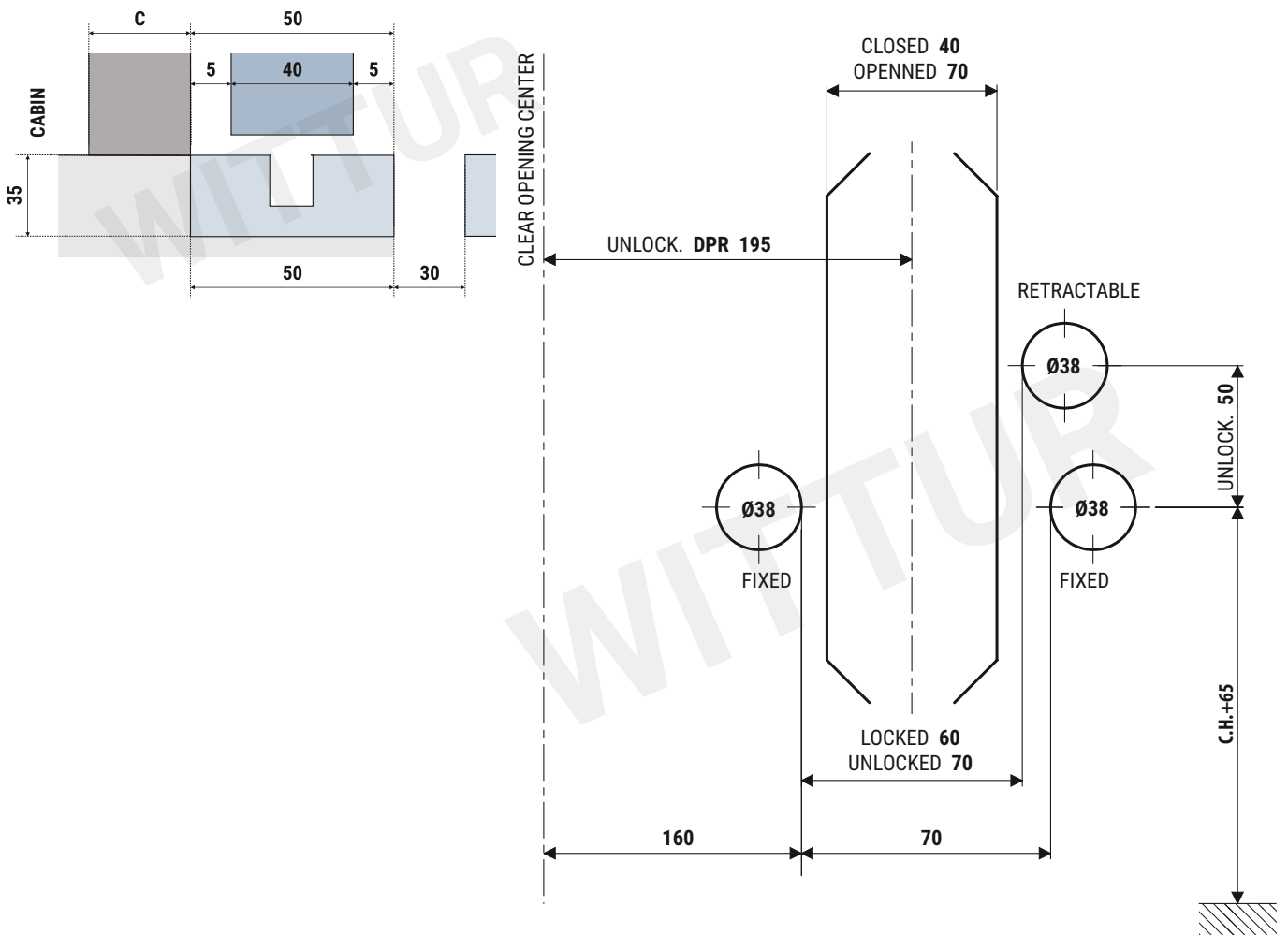
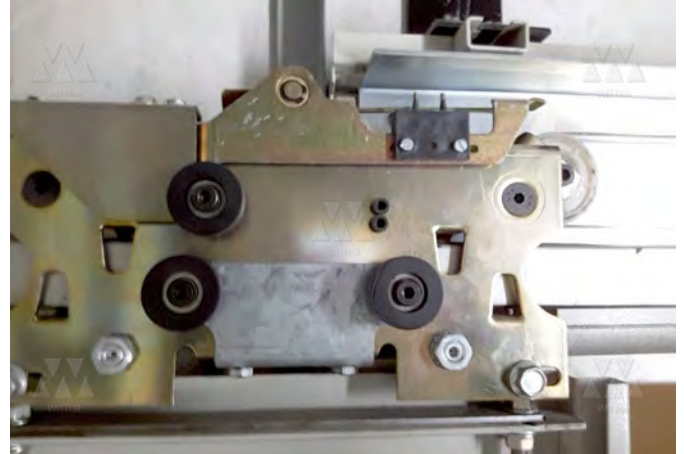
WeMOD  
**AUTUR**  
ID0070A



**OV**



**MR**



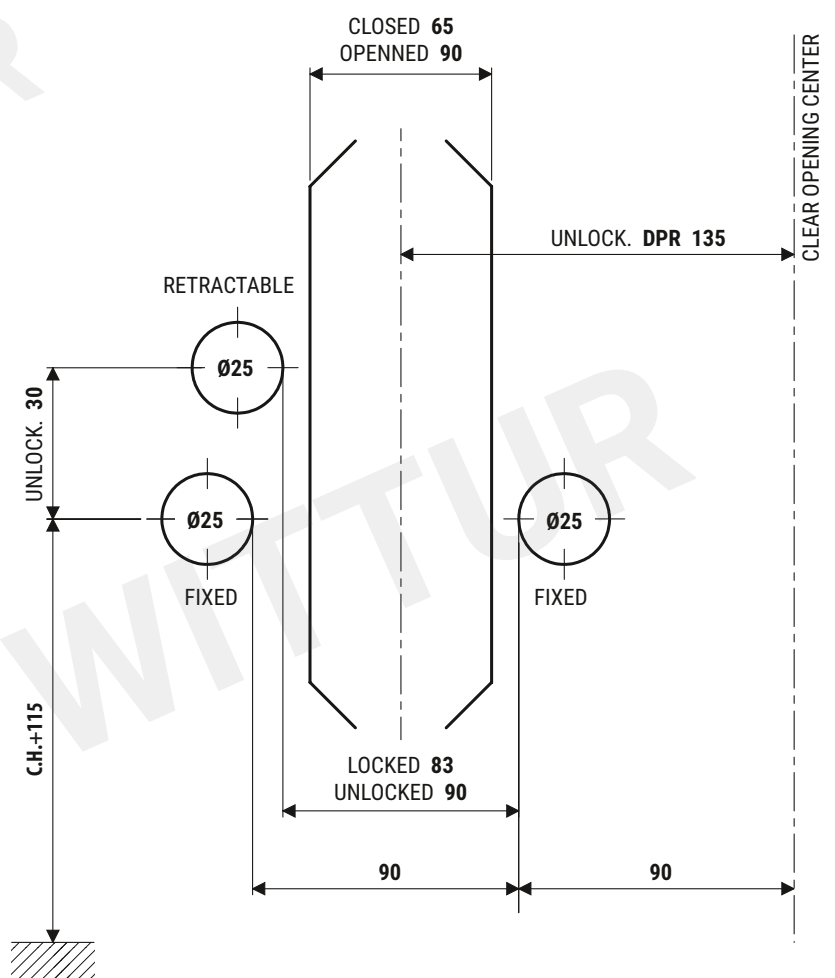
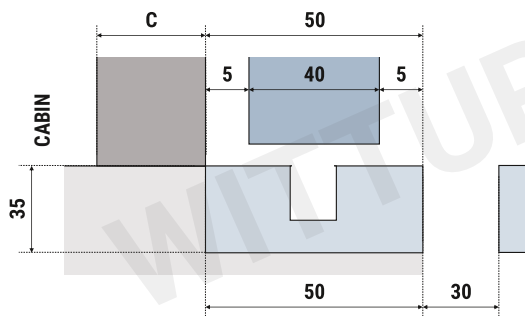
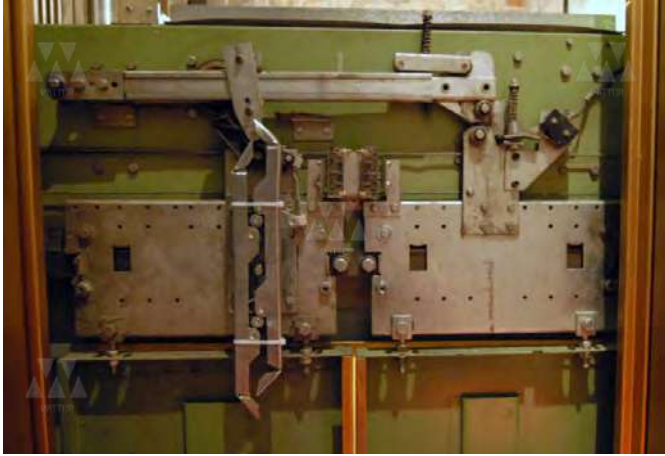
Important : Check the measure and change if different. Coupler and lock are drawn from the floor.

Informations : Any other reproduction in any form without Wittur permission is prohibited. Text and photos are non-contractual and are subject to change without notice.



**TYPE 85**

**085-OL**



Important : Check the measure and change if different. Coupler and lock are drawn from the floor.

Informations : Any other reproduction in any form without Wittur permission is prohibited. Text and photos are non-contractual and are subject to change without notice.





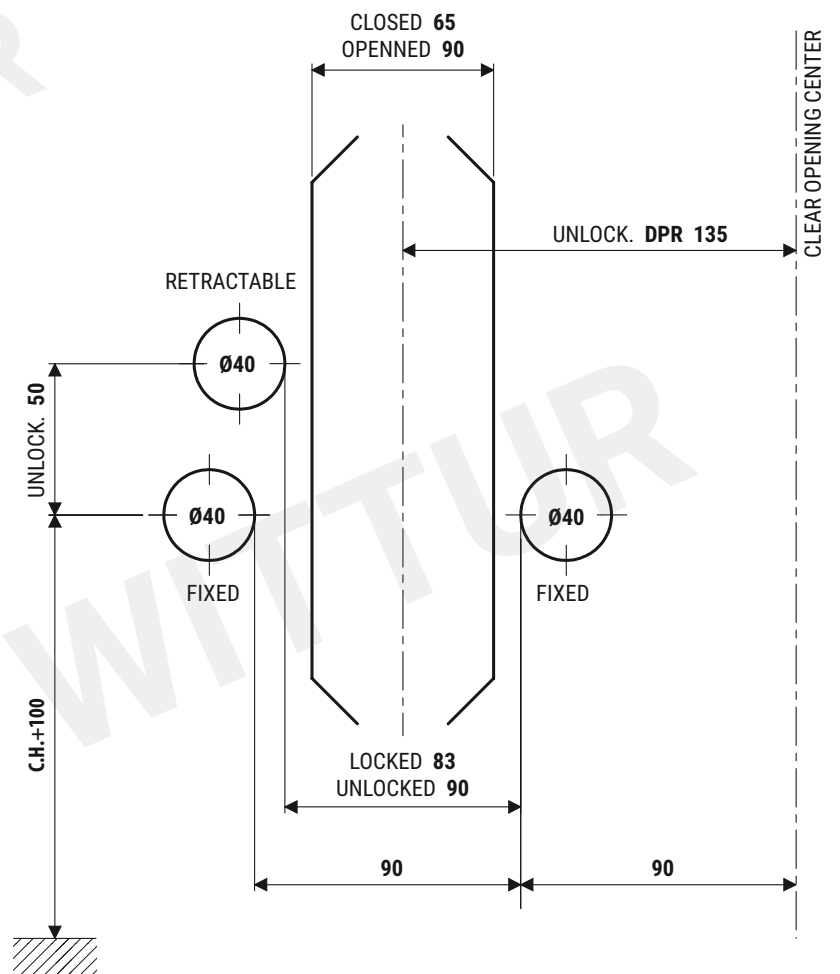
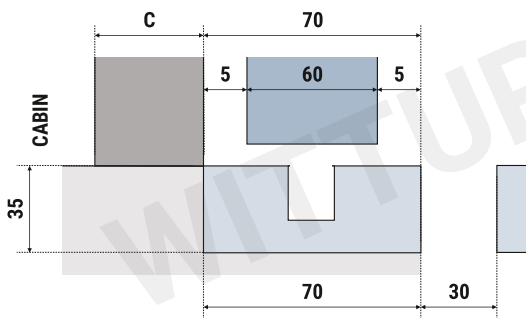
WeM $\oplus$ D  
**MONITOR**  
**ID0018A**



**TYPE 92**



**92 VF**

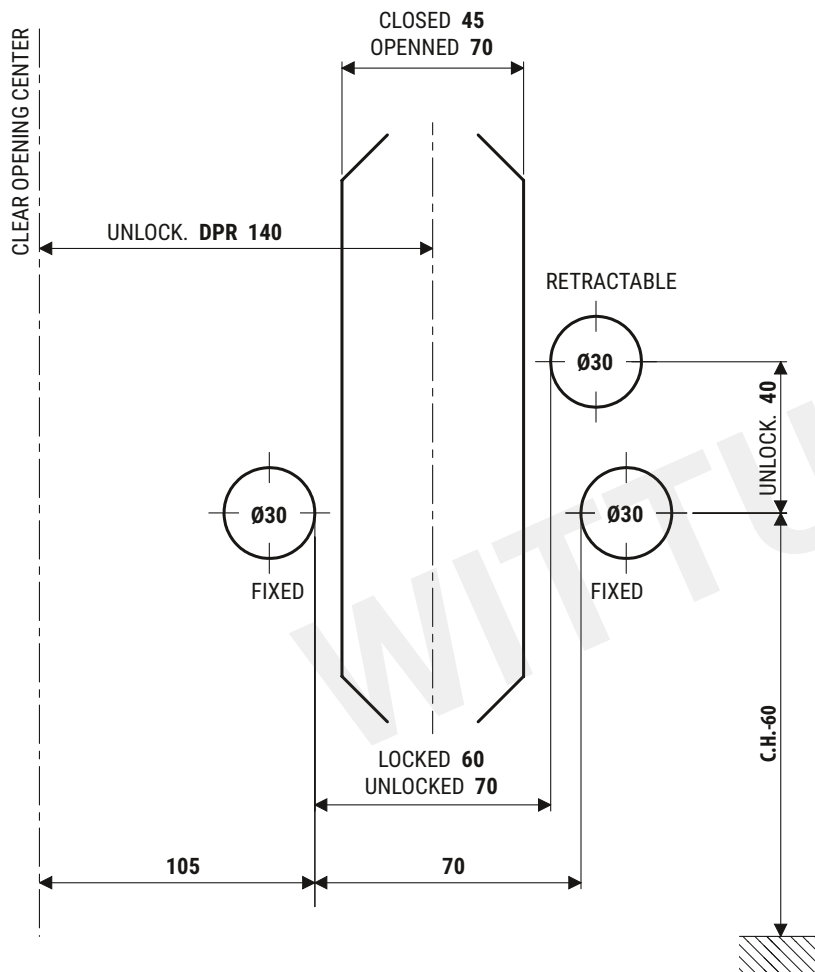


Important : Check the measure and change if different. Coupler and lock are drawn from the floor.

Informations : Any other reproduction in any form without Wittur permission is prohibited. Text and photos are non-contractual and are subject to change without notice.



**P91**

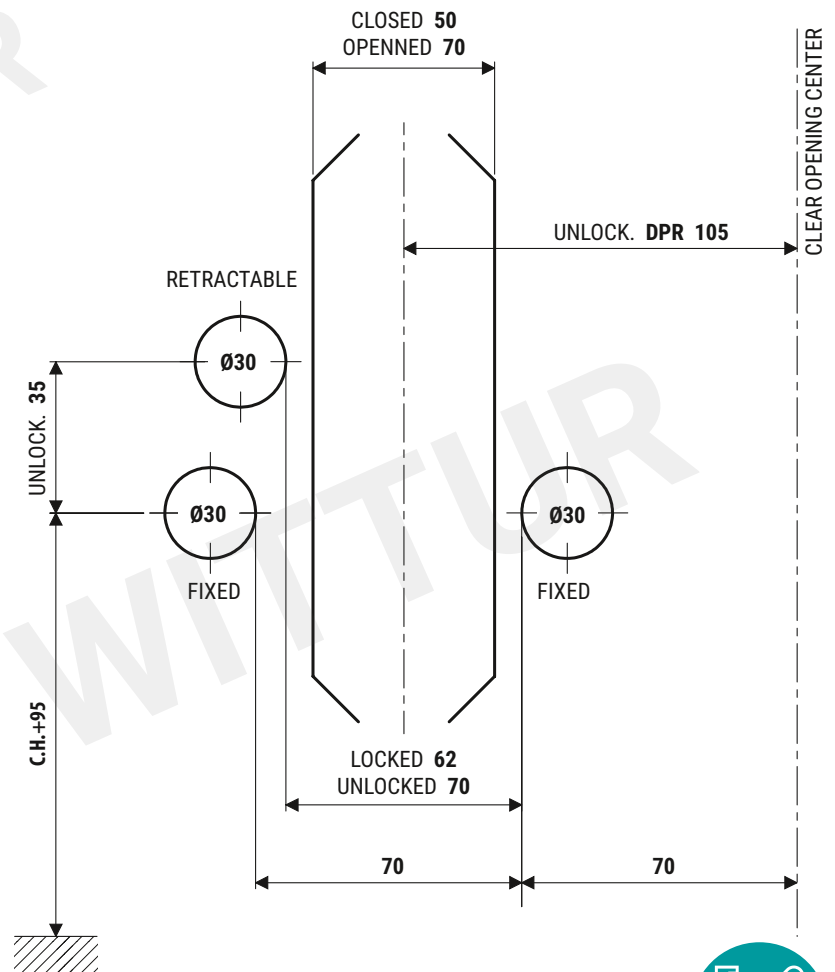
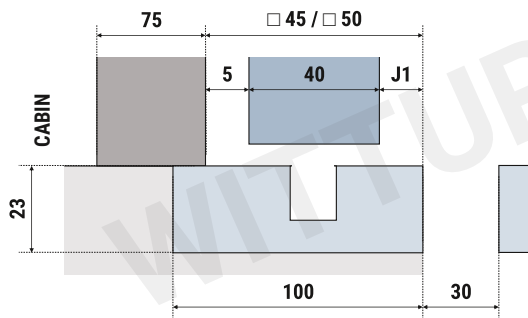


Important : Check the measure and change if different. Coupler and lock are drawn from the floor.

Informations : Any other reproduction in any form without Wittur permission is prohibited. Text and photos are non-contractual and are subject to change without notice.

**M2ZD4**

**M2ZS4**



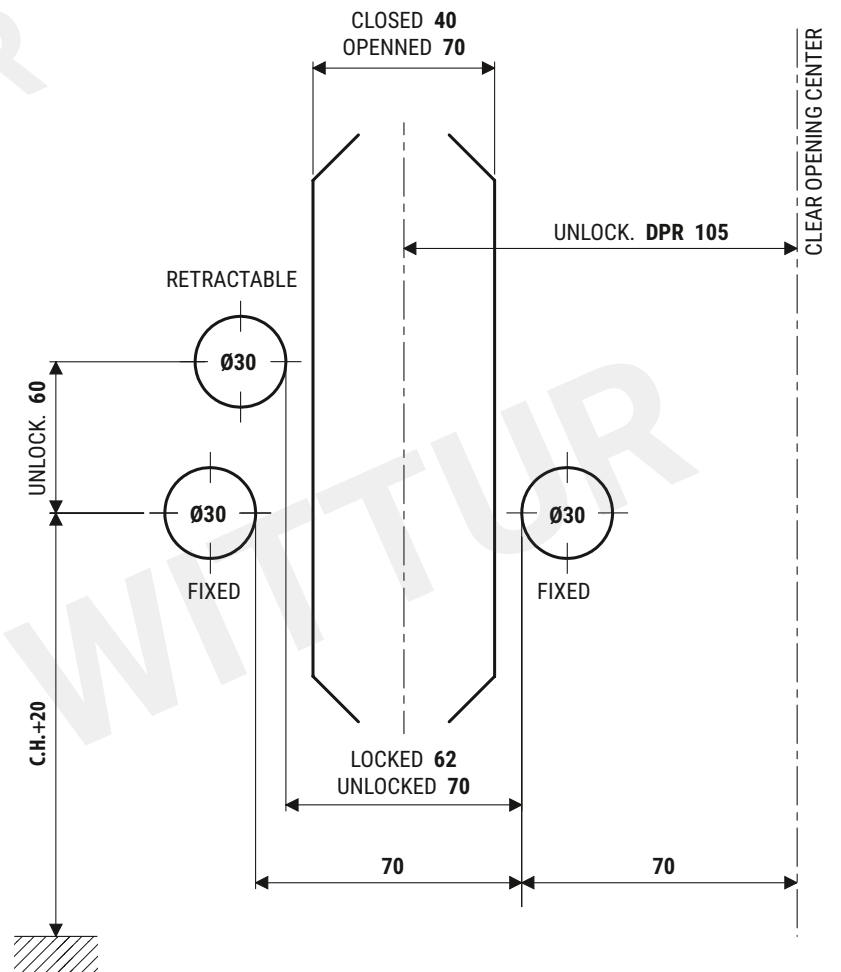
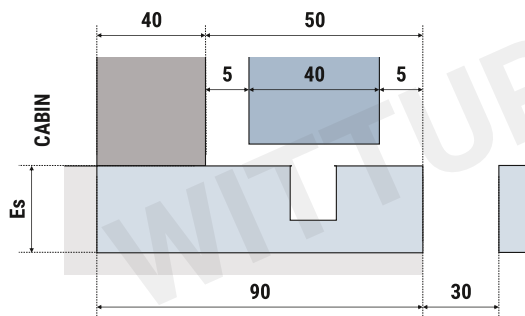
Important : Check the measure and change if different. Coupler and lock are drawn from the floor.

Informations : Any other reproduction in any form without Wittur permission is prohibited. Text and photos are non-contractual and are subject to change without notice.



M2ZD6 - BM200

M2ZS6

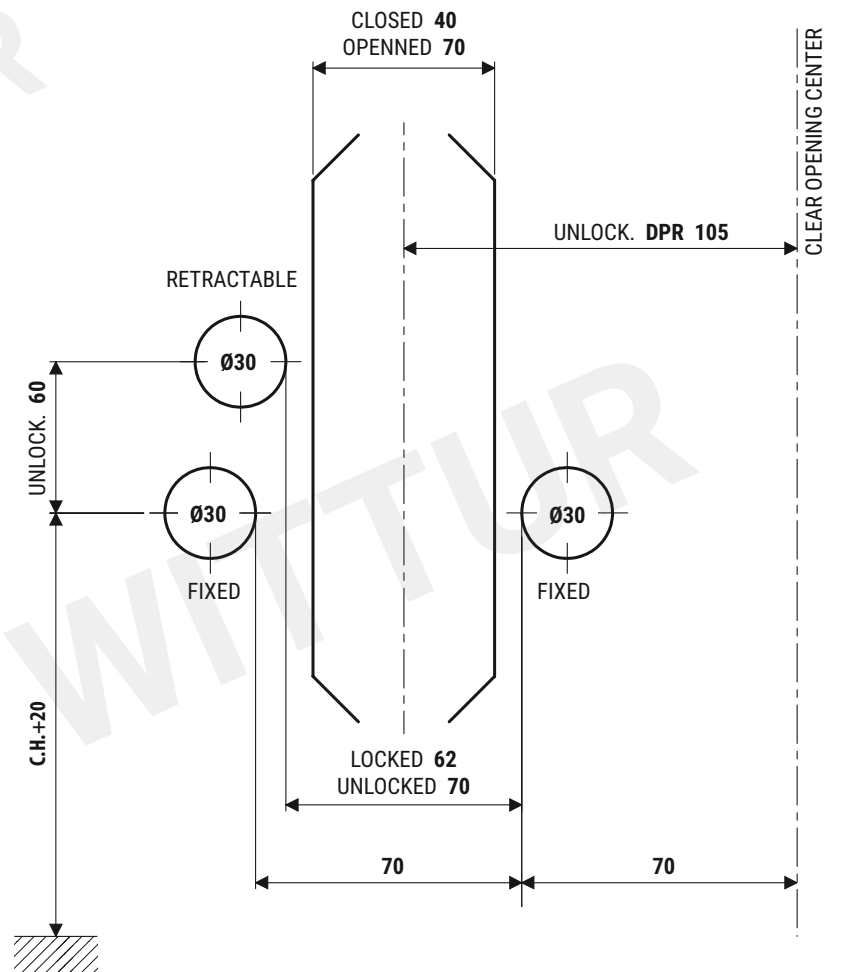
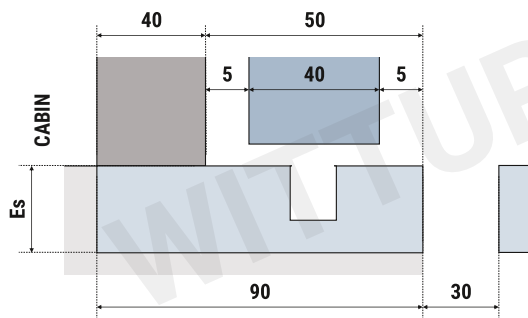
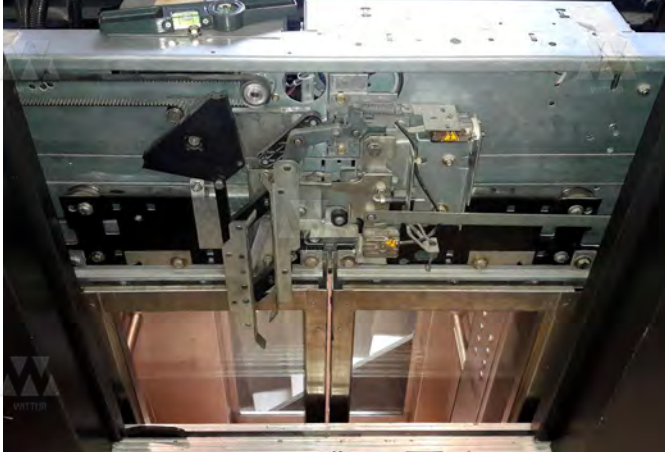


Important : Check the measure and change if different. Coupler and lock are drawn from the floor.

Informations : Any other reproduction in any form without Wittur permission is prohibited. Text and photos are non-contractual and are subject to change without notice.

**M2ZD6 - RT200,RT201**

**M2ZS6**



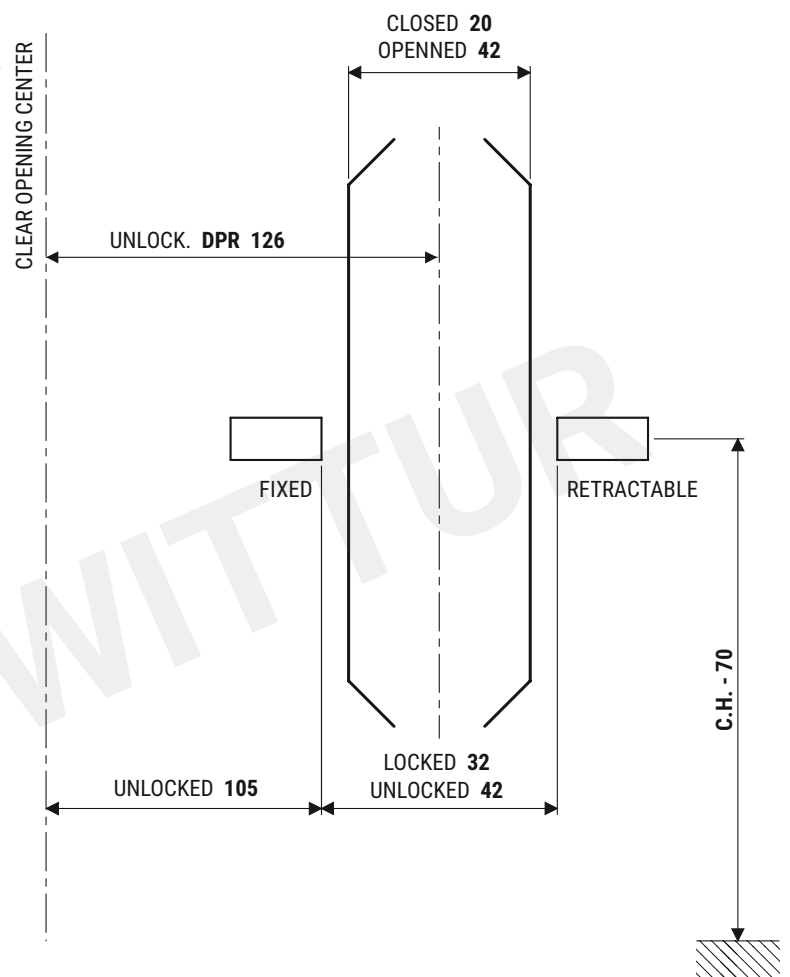
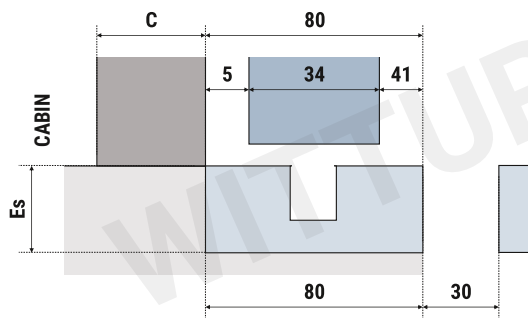
Important : Check the measure and change if different. Coupler and lock are drawn from the floor.

Informations : Any other reproduction in any form without Wittur permission is prohibited. Text and photos are non-contractual and are subject to change without notice.



WESTINGHOUSE

DRIVE BLOCK



Important : Check the measure and change if different. Coupler and lock are drawn from the floor.

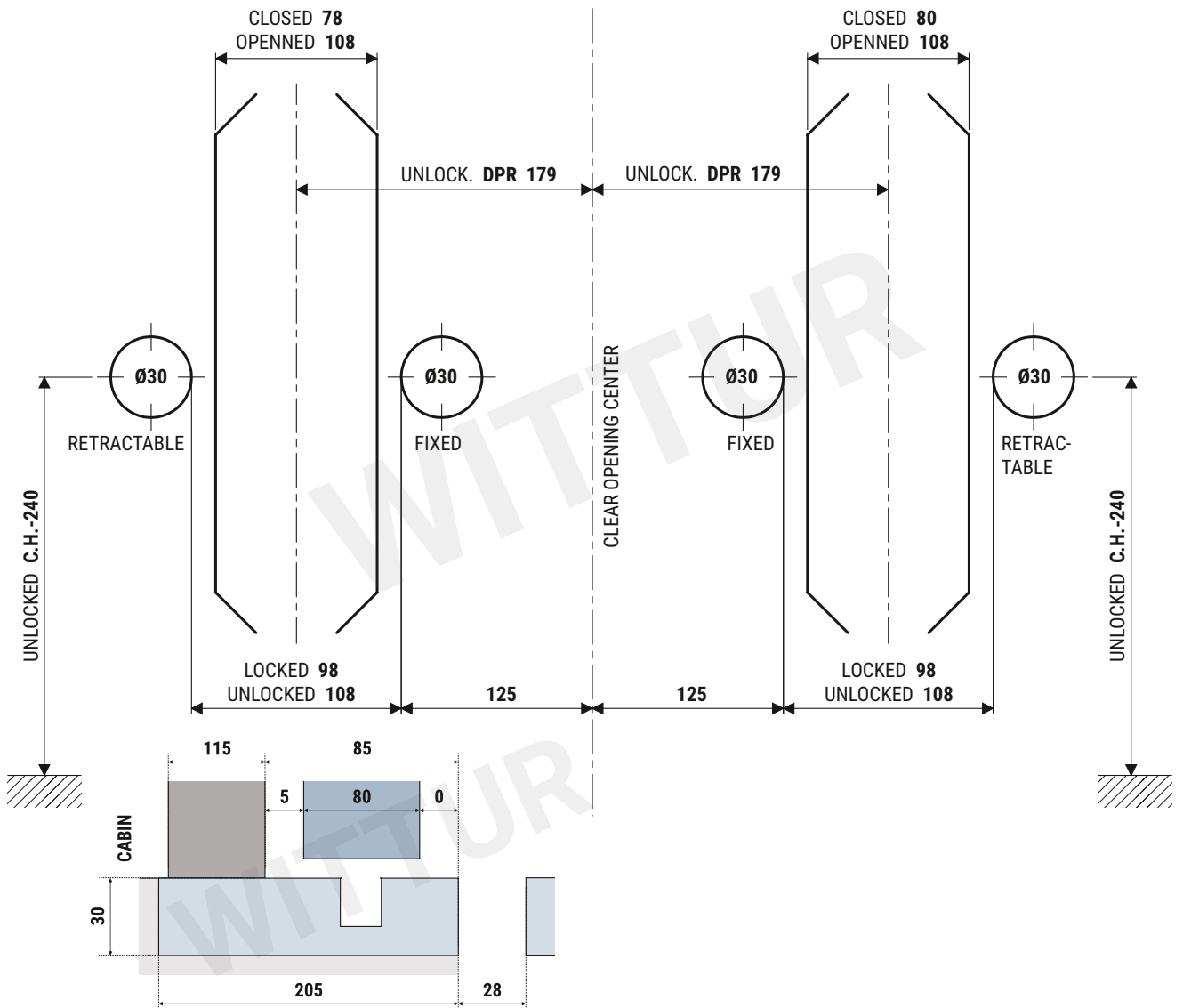
Informations : Any other reproduction in any form without Wittur permission is prohibited. Text and photos are non-contractual and are subject to change without notice.



### QKS9



### QKS9Z & C9



Important : Check the measure and change if different. Coupler and lock are drawn from the floor.

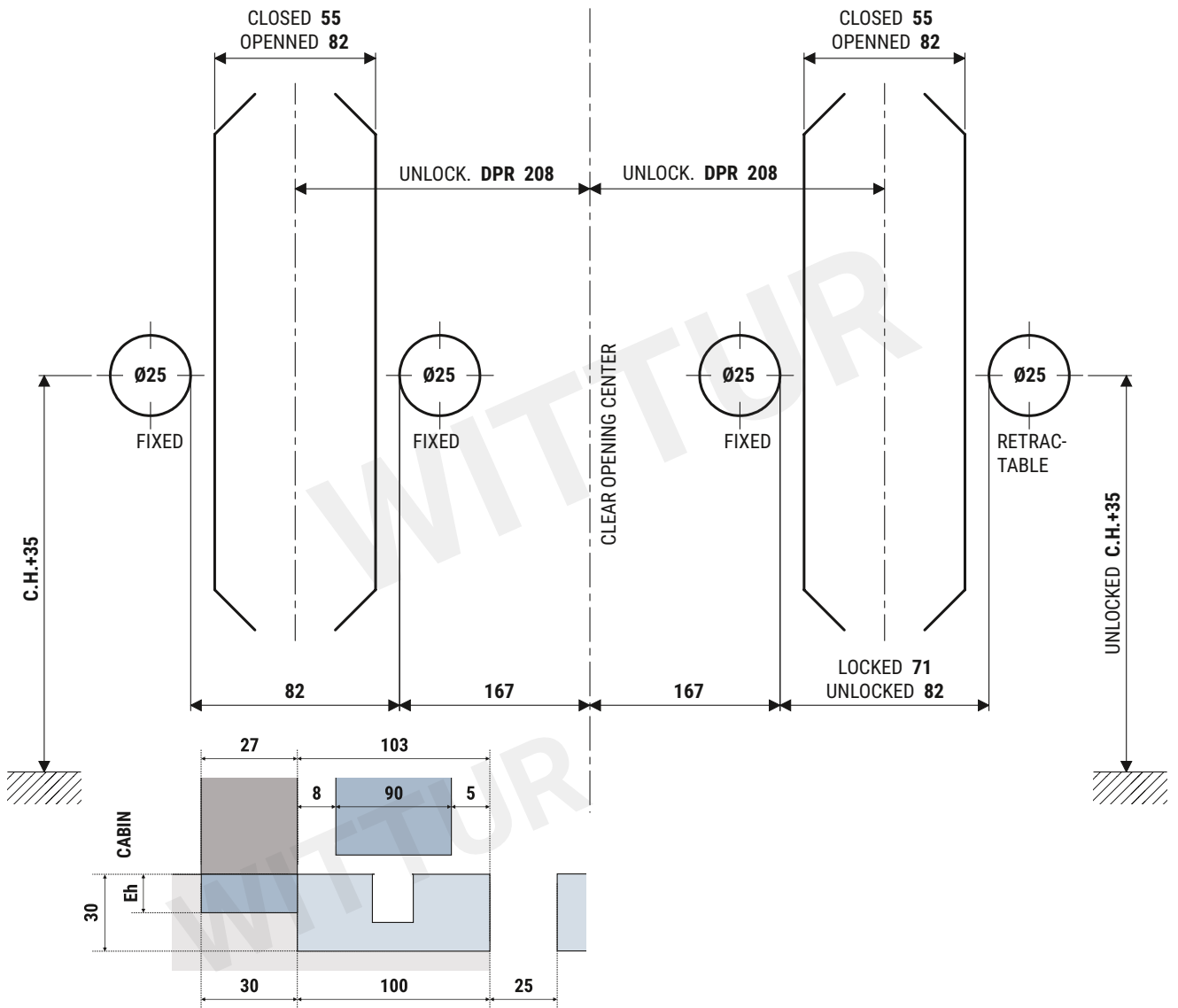
Informations : Any other reproduction in any form without Wittur permission is prohibited. Text and photos are non-contractual and are subject to change without notice.



**QKS8**



**CC73 & CC75**



Important : Check the measure and change if different. Coupler and lock are drawn from the floor.

Informations : Any other reproduction in any form without Wittur permission is prohibited. Text and photos are non-contractual and are subject to change without notice.

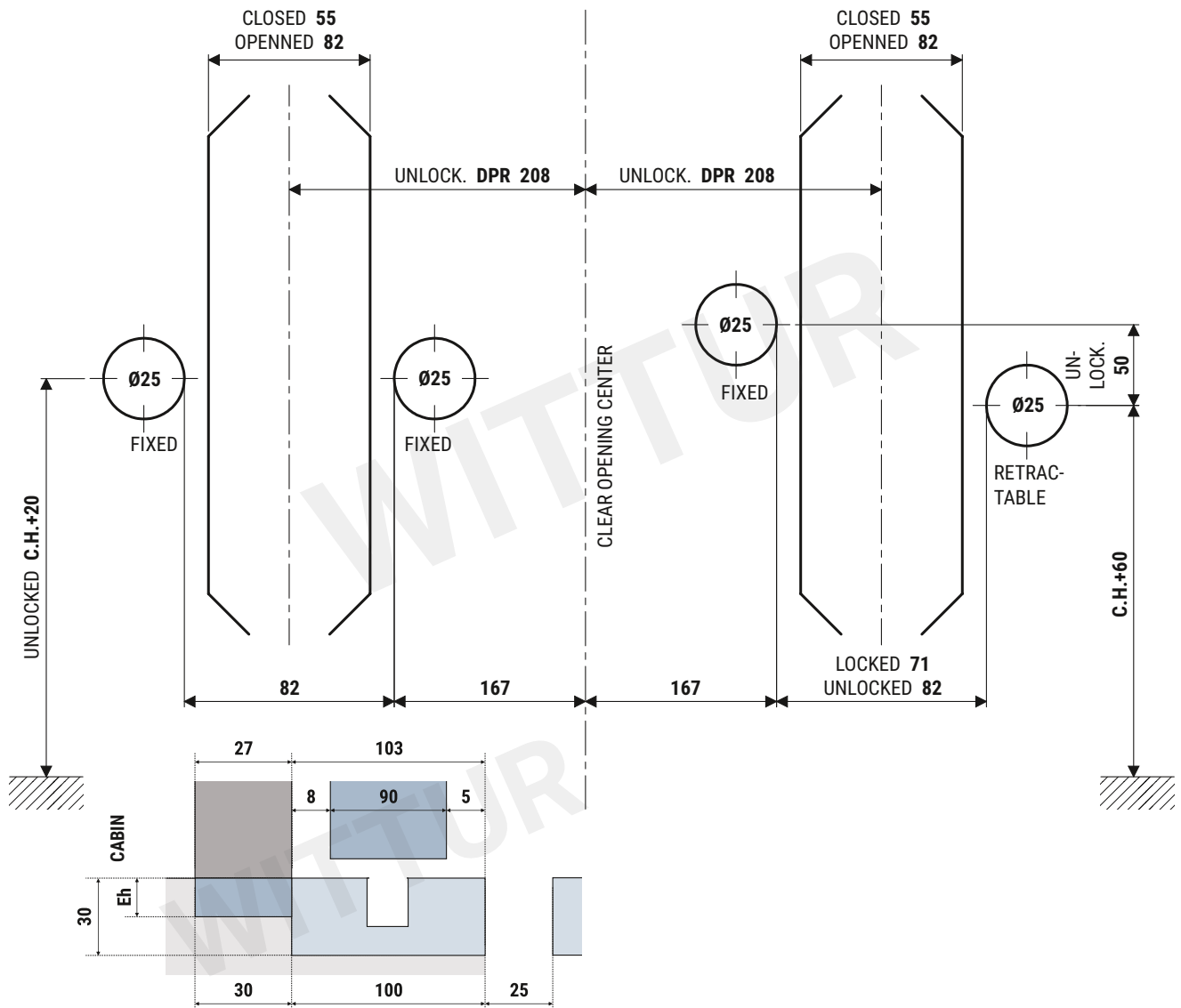




### QKS8



### C83 & C813



Important : Check the measure and change if different. Coupler and lock are drawn from the floor.

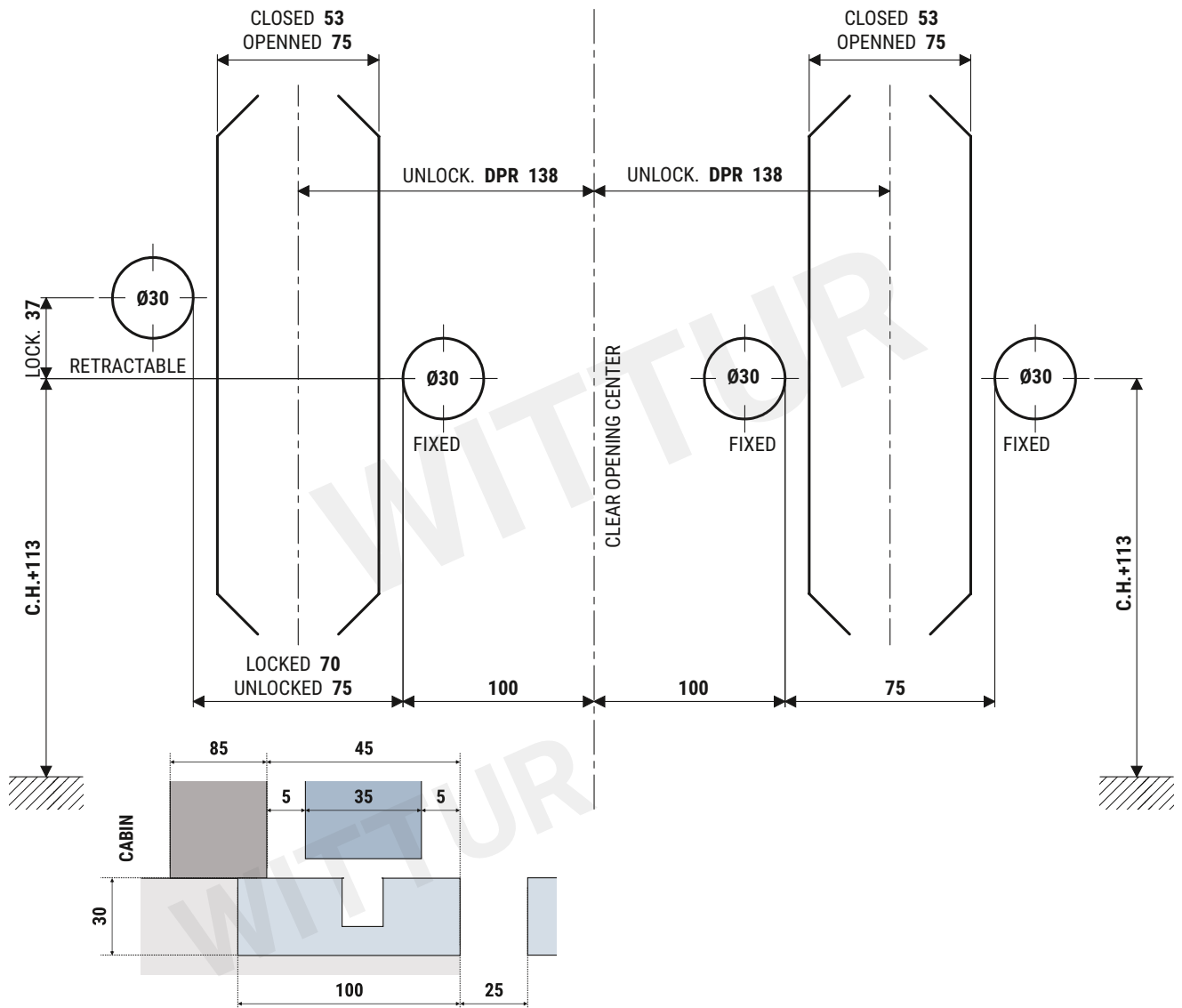
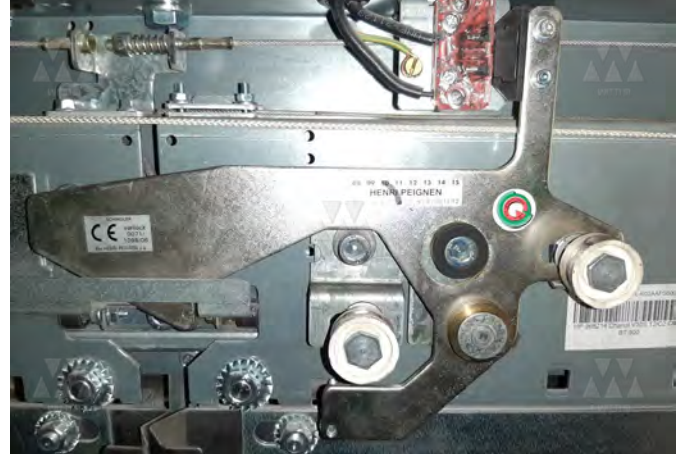
Informations : Any other reproduction in any form without Wittur permission is prohibited. Text and photos are non-contractual and are subject to change without notice.



**VARIDOR 30**



**VARILOCK 071**



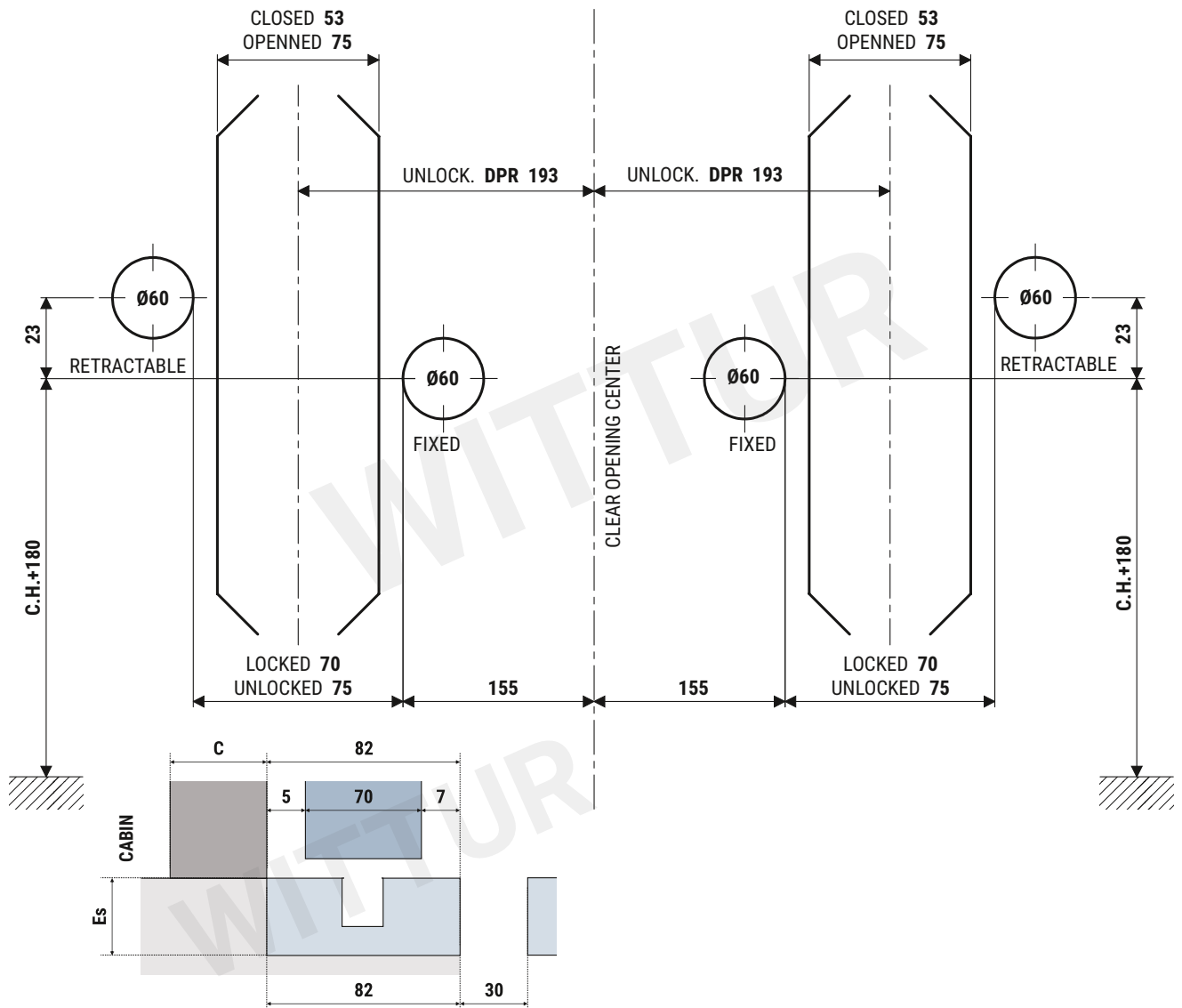
Important : Check the measure and change if different. Coupler and lock are drawn from the floor.

Informations : Any other reproduction in any form without Wittur permission is prohibited. Text and photos are non-contractual and are subject to change without notice.



### VARIDOR 50

### VARILOCK 50 H



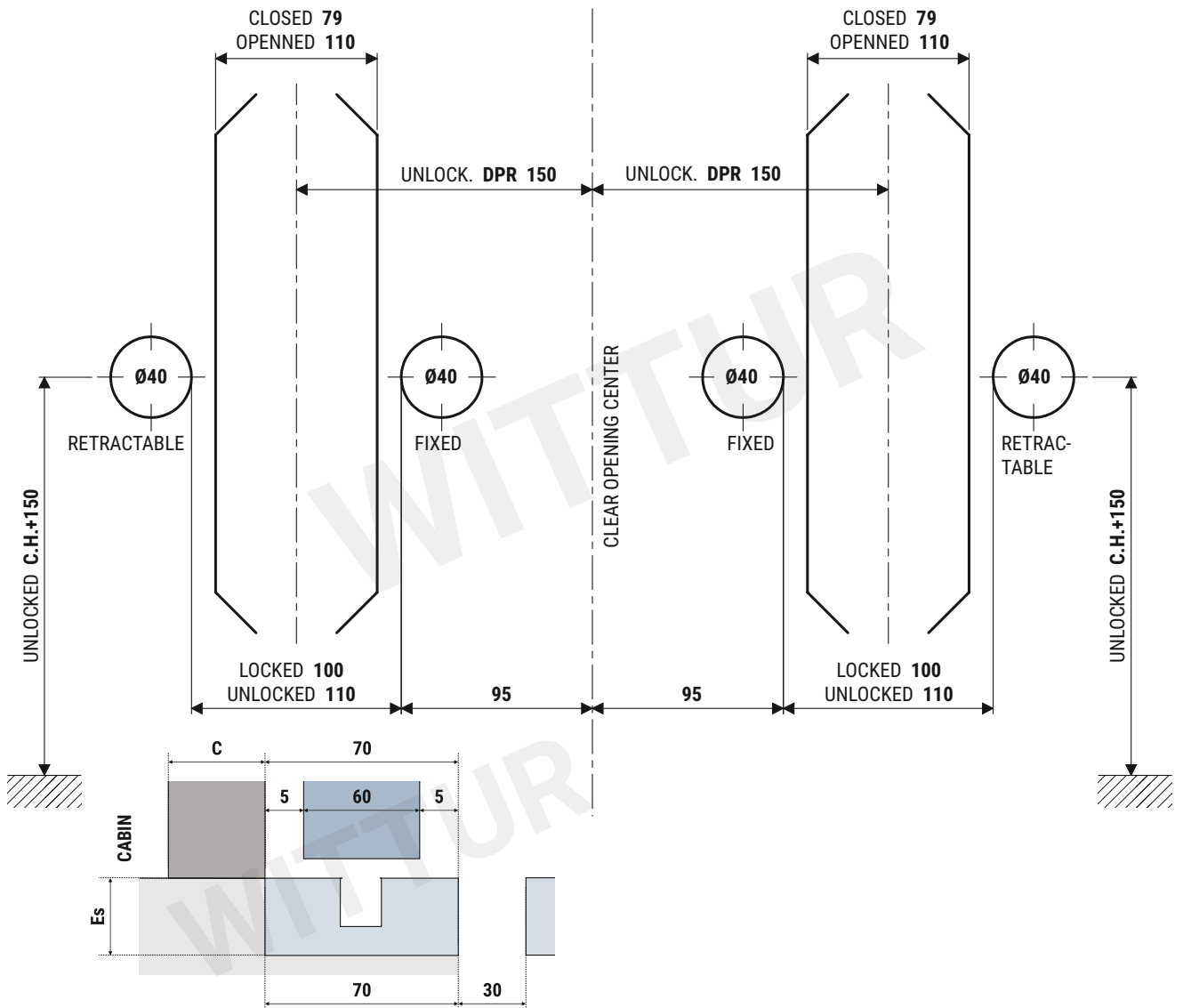
Important : Check the measure and change if different. Coupler and lock are drawn from the floor.

Informations : Any other reproduction in any form without Wittur permission is prohibited. Text and photos are non-contractual and are subject to change without notice.



**EUROPA**

**ZIP**



Important : Check the measure and change if different. Coupler and lock are drawn from the floor.

Informations : Any other reproduction in any form without Wittur permission is prohibited. Text and photos are non-contractual and are subject to change without notice.

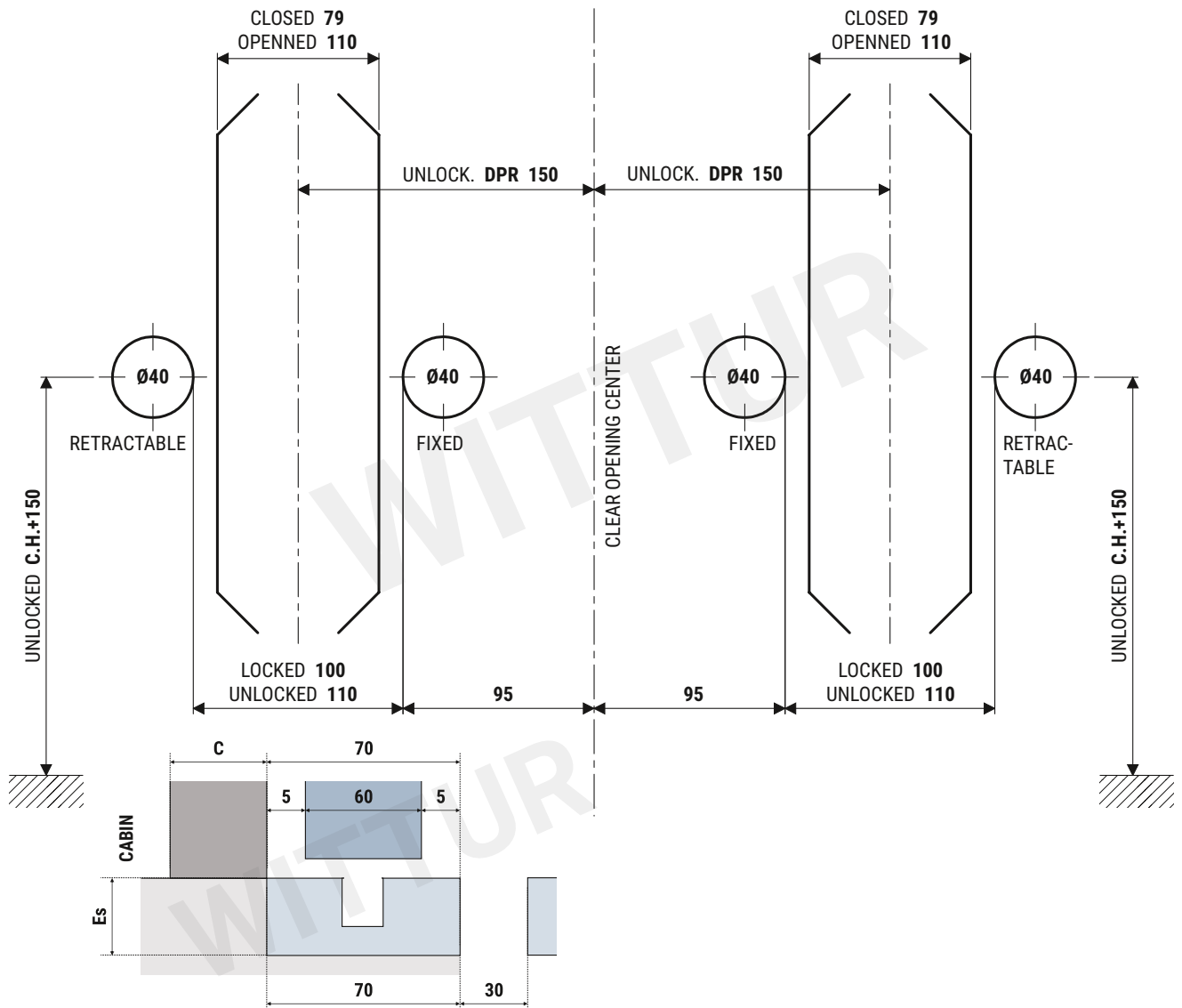


WeMOD  
**FORSID**  
**ID0023A**



**ZIP**

**ZIP**



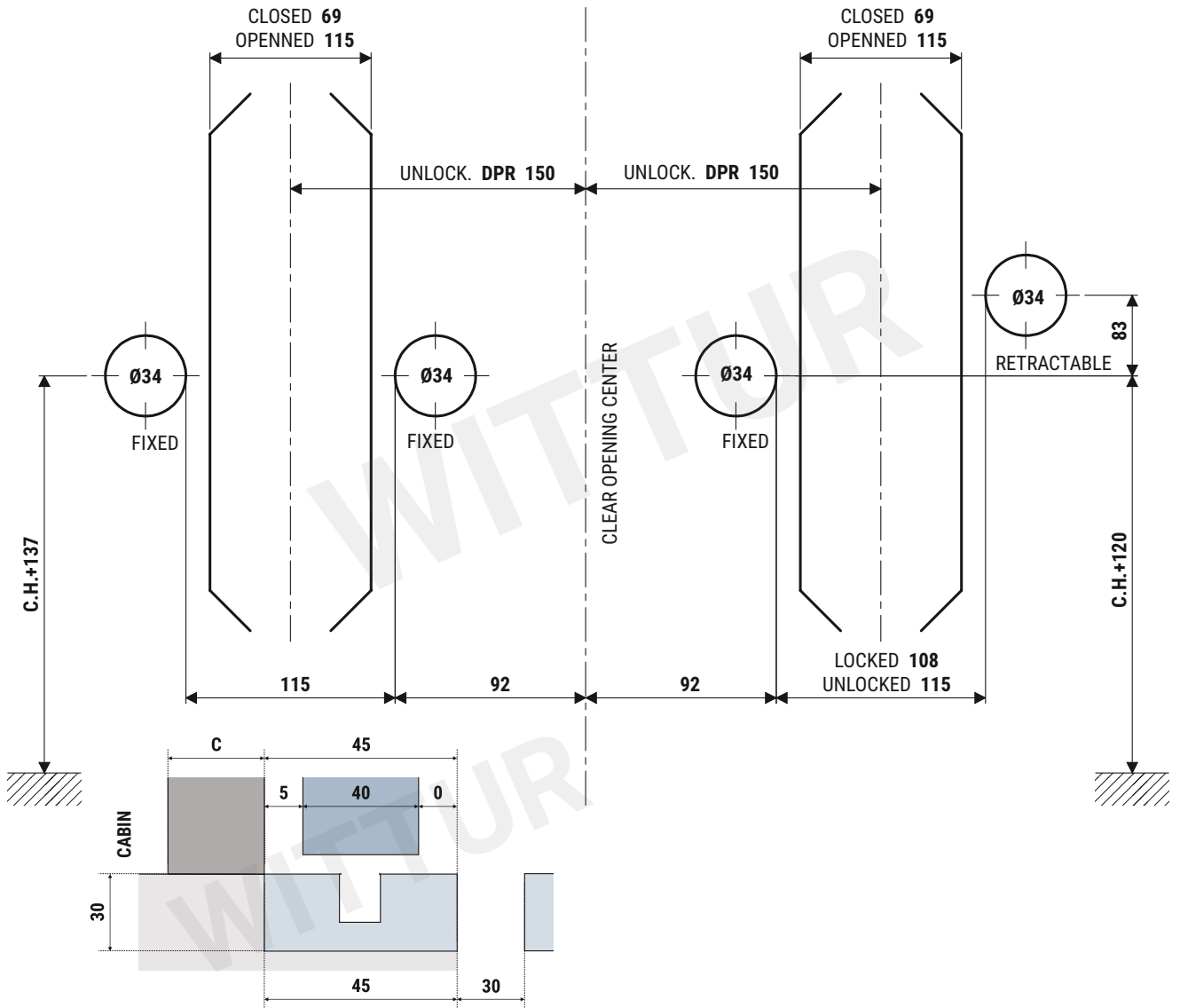
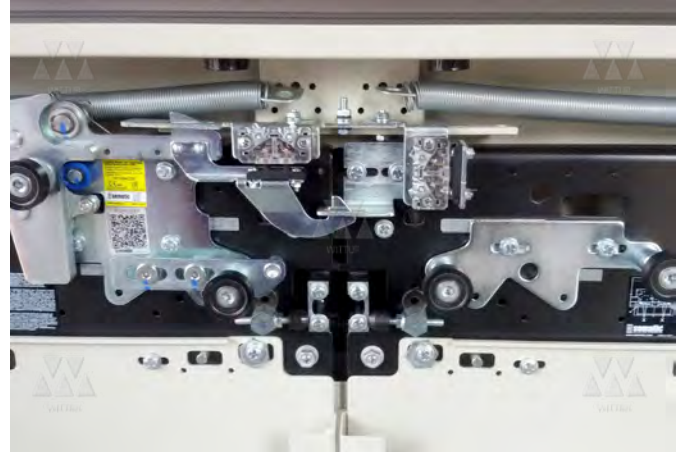
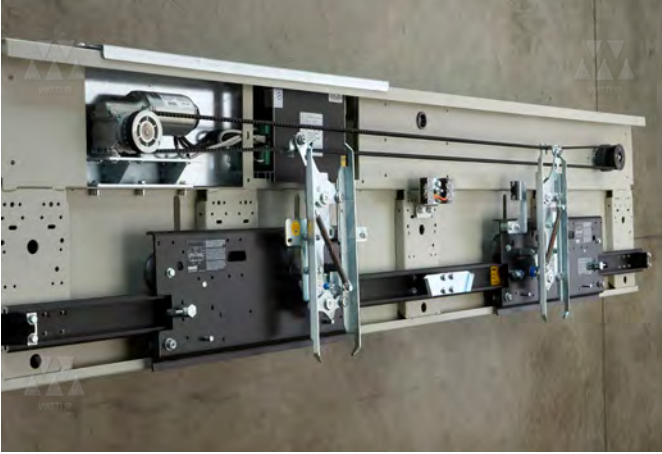
Important : Check the measure and change if different. Coupler and lock are drawn from the floor.

Informations : Any other reproduction in any form without Wittur permission is prohibited. Text and photos are non-contractual and are subject to change without notice.



2000 B

2000 B



Important : Check the measure and change if different. Coupler and lock are drawn from the floor.

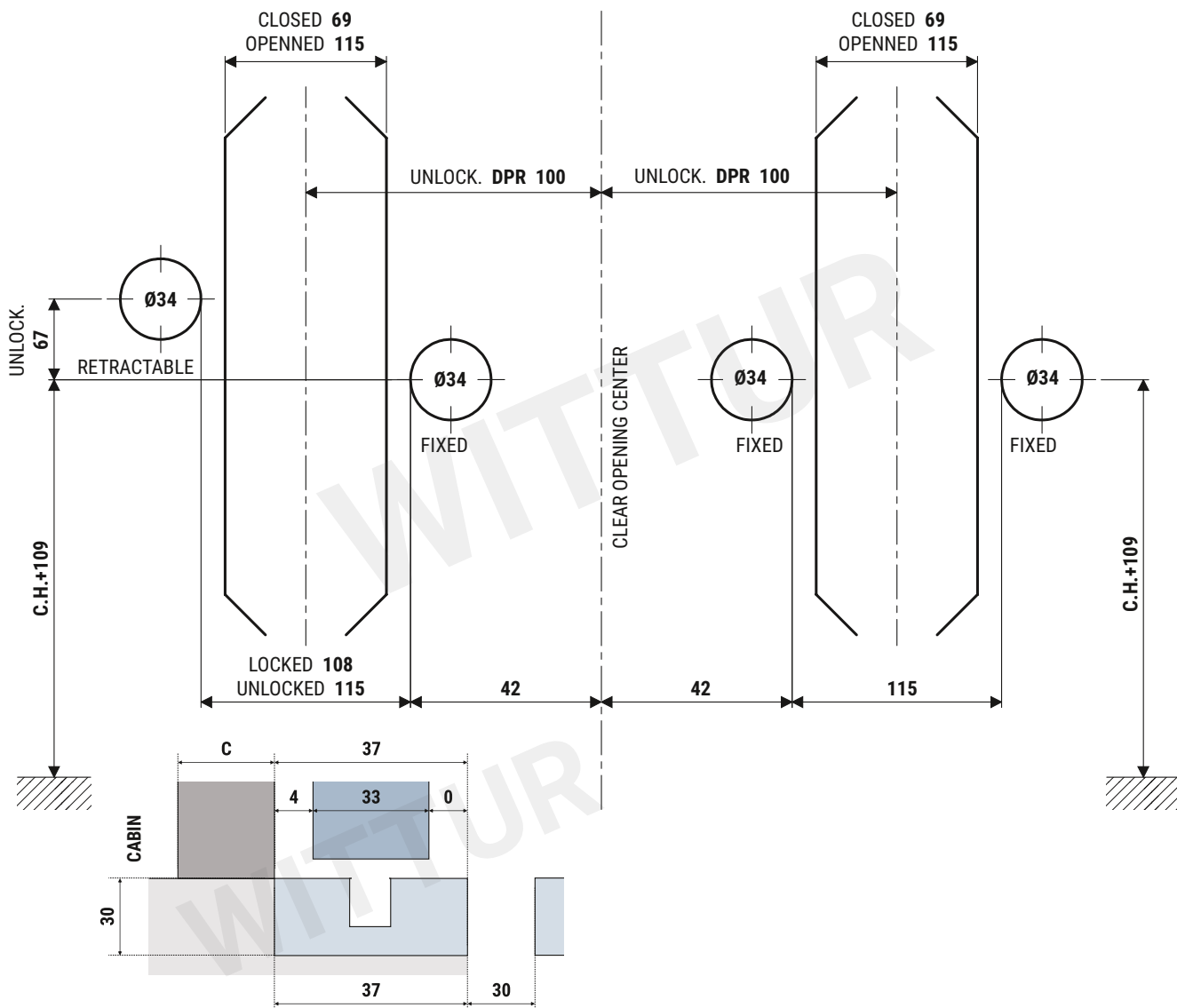
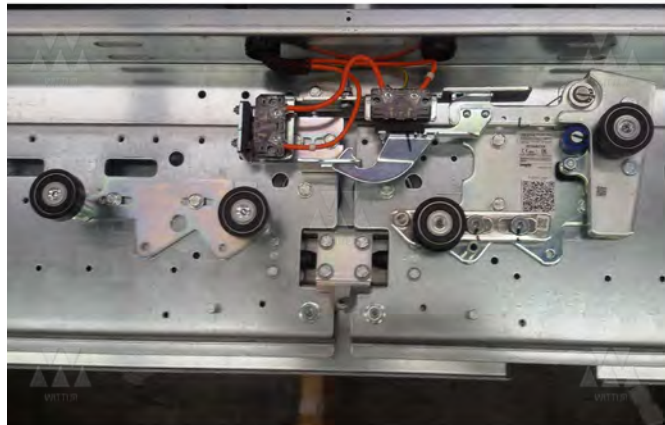
Informations : Any other reproduction in any form without Wittur permission is prohibited. Text and photos are non-contractual and are subject to change without notice.

WeMOD  
**SEMATIC**  
 ID0079A



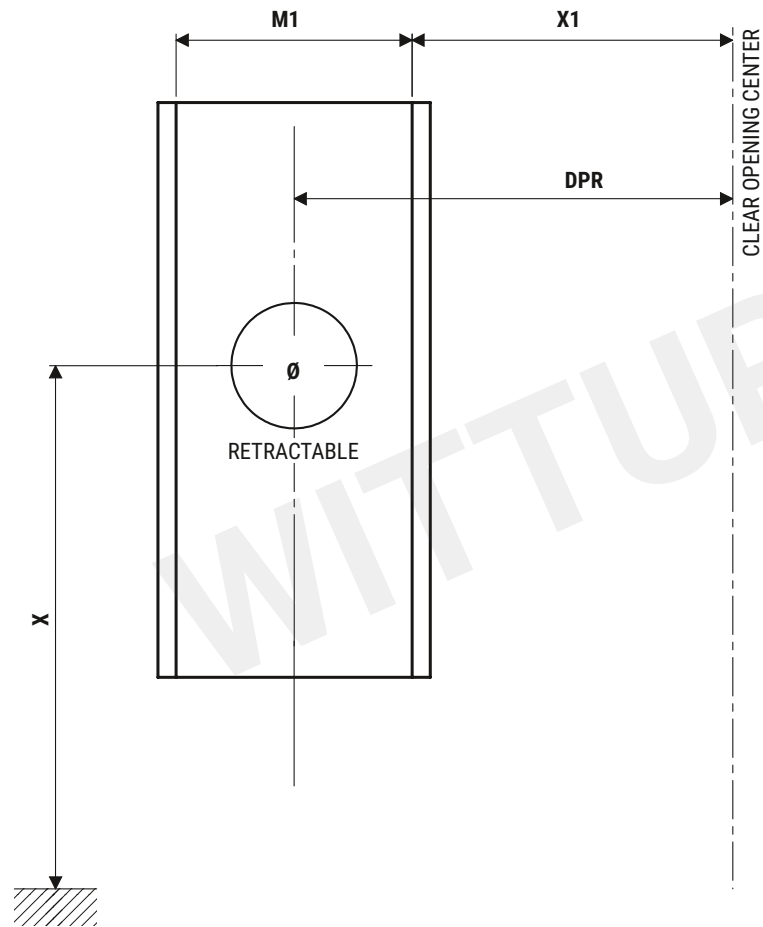
2000 C-MOD

2000 C-MOD



Important : Check the measure and change if different. Coupler and lock are drawn from the floor.

Informations : Any other reproduction in any form without Wittur permission is prohibited. Text and photos are non-contractual and are subject to change without notice.



Important : Check the measure and change if different. Coupler and lock are drawn from the floor.

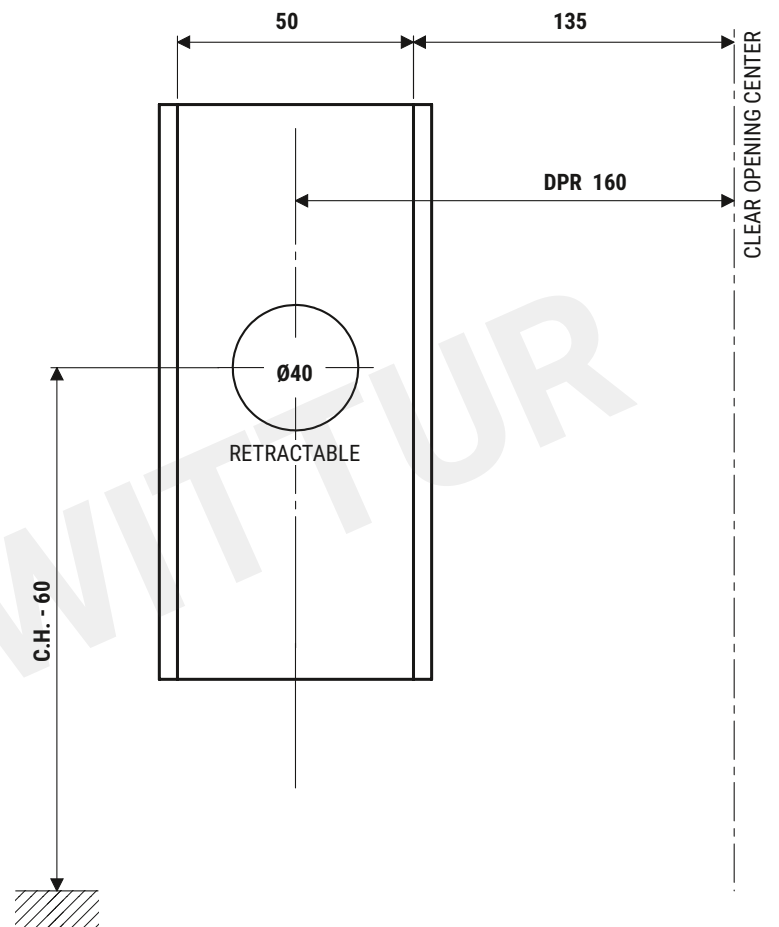
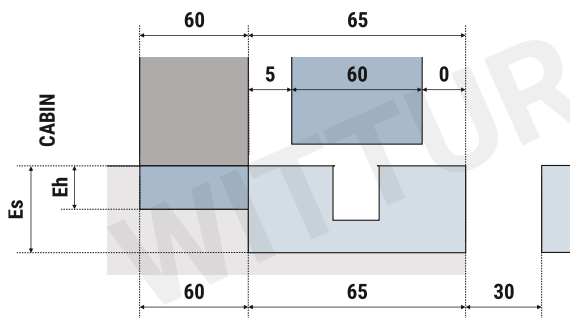
Informations : Any other reproduction in any form without Wittur permission is prohibited. Text and photos are non-contractual and are subject to change without notice.



**DELLERBA**



**DELLERBA**



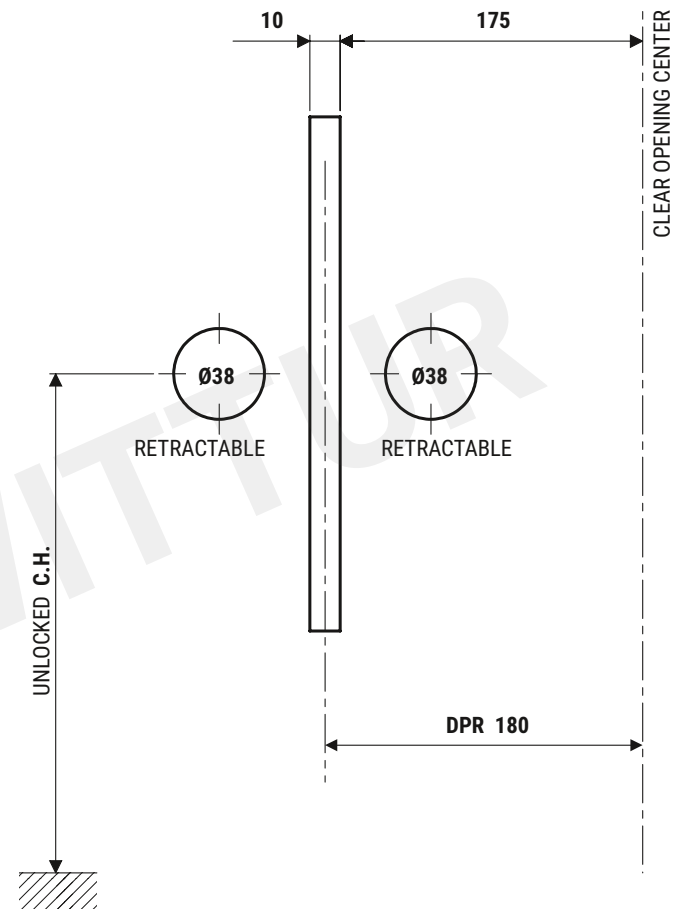
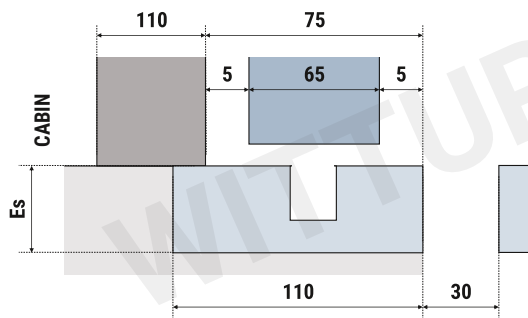
Important : Check the measure and change if different. Coupler and lock are drawn from the floor.

Informations : Any other reproduction in any form without Wittur permission is prohibited. Text and photos are non-contractual and are subject to change without notice.



NEW YORK 6970

NEW YORK



Important : Check the measure and change if different. Coupler and lock are drawn from the floor.

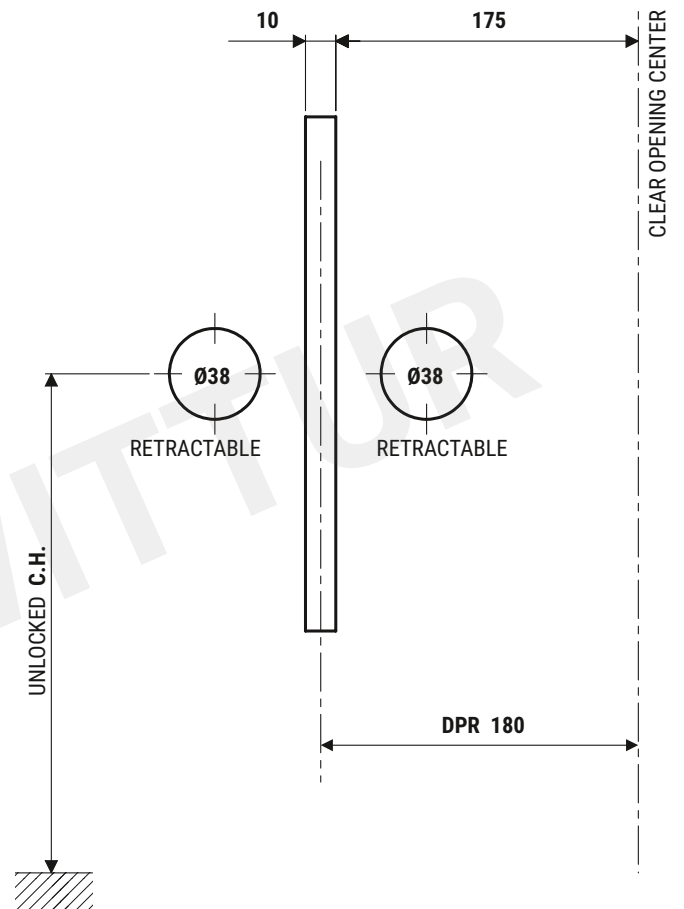
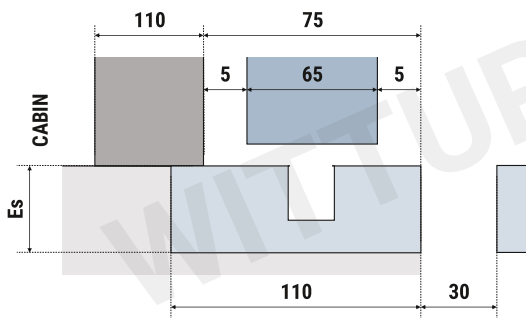
Informations : Any other reproduction in any form without Wittur permission is prohibited. Text and photos are non-contractual and are subject to change without notice.



**NEW YORK**

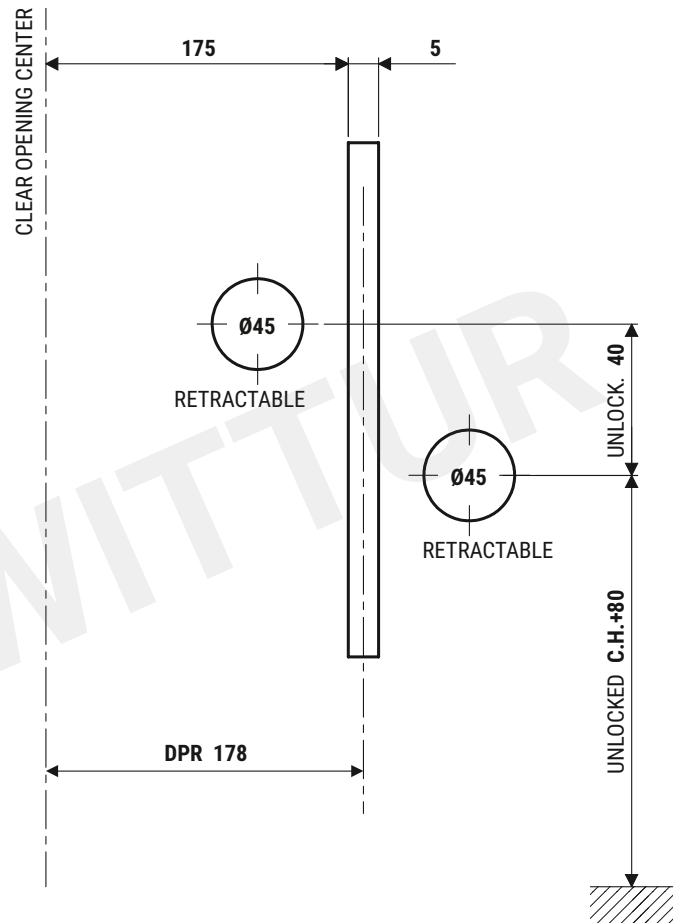
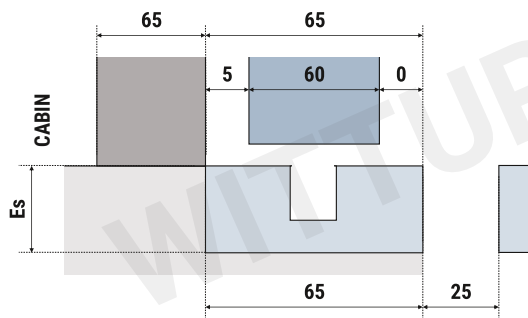


**NEW YORK**



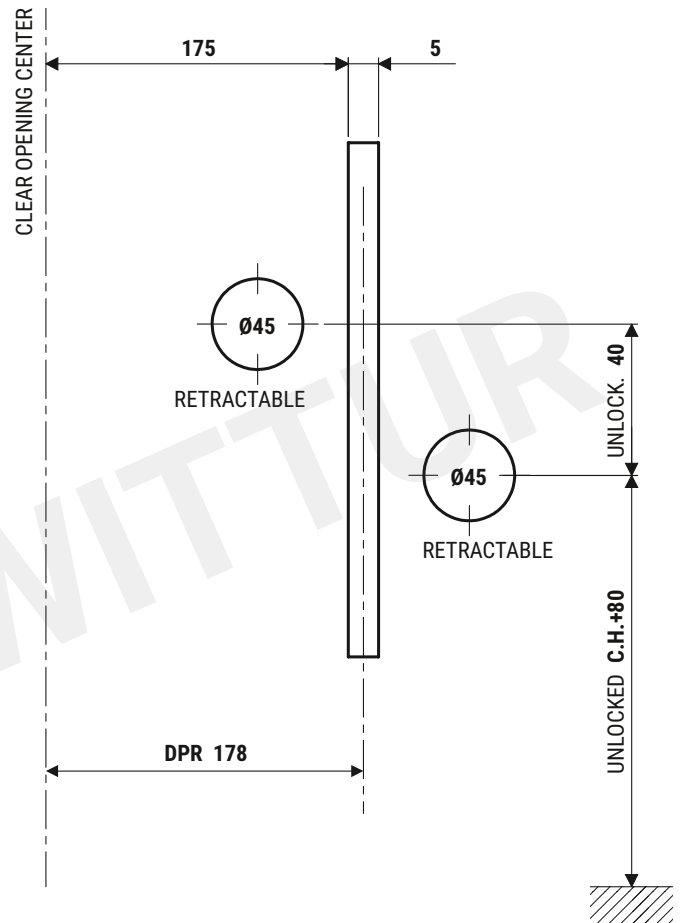
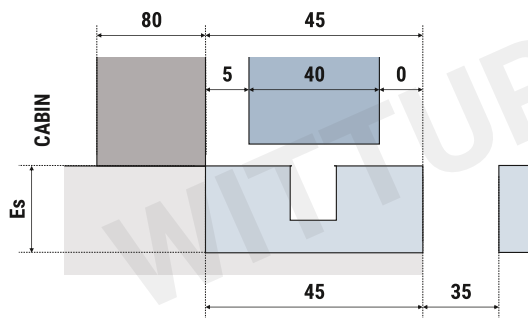
Important : Check the measure and change if different. Coupler and lock are drawn from the floor.

Informations : Any other reproduction in any form without Wittur permission is prohibited. Text and photos are non-contractual and are subject to change without notice.



Important : Check the measure and change if different. Coupler and lock are drawn from the floor.

Informations : Any other reproduction in any form without Wittur permission is prohibited. Text and photos are non-contractual and are subject to change without notice.

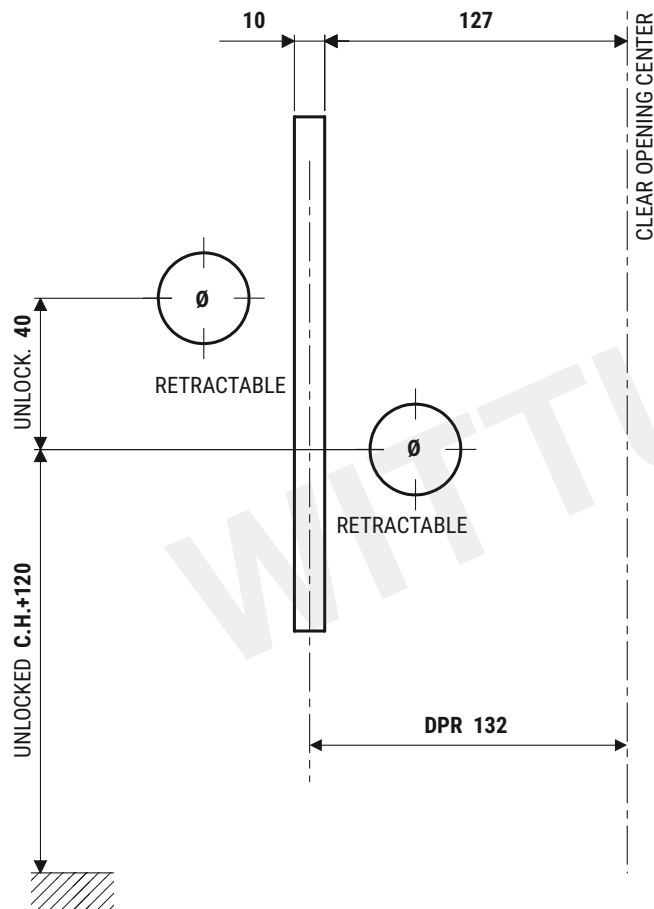
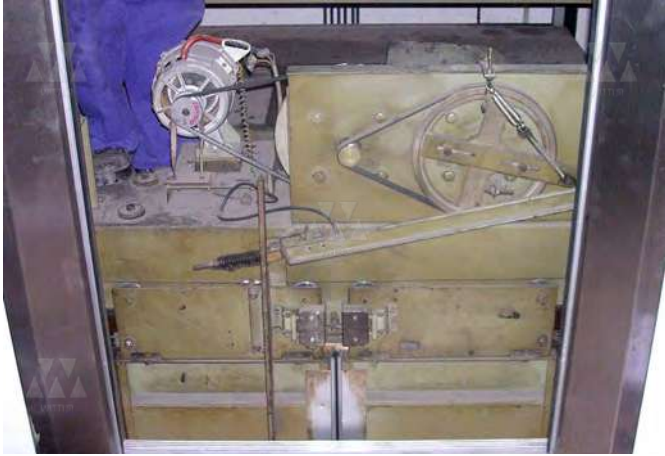


Important : Check the measure and change if different. Coupler and lock are drawn from the floor.

Informations : Any other reproduction in any form without Wittur permission is prohibited. Text and photos are non-contractual and are subject to change without notice.



**CENIA BAKAR**

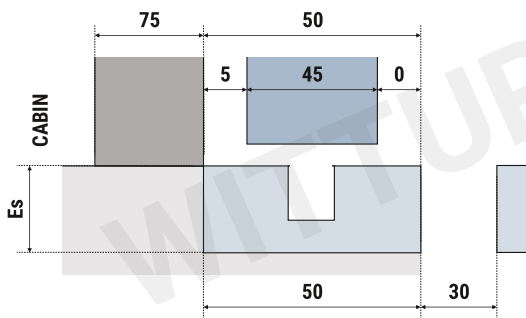


Important : Check the measure and change if different. Coupler and lock are drawn from the floor.

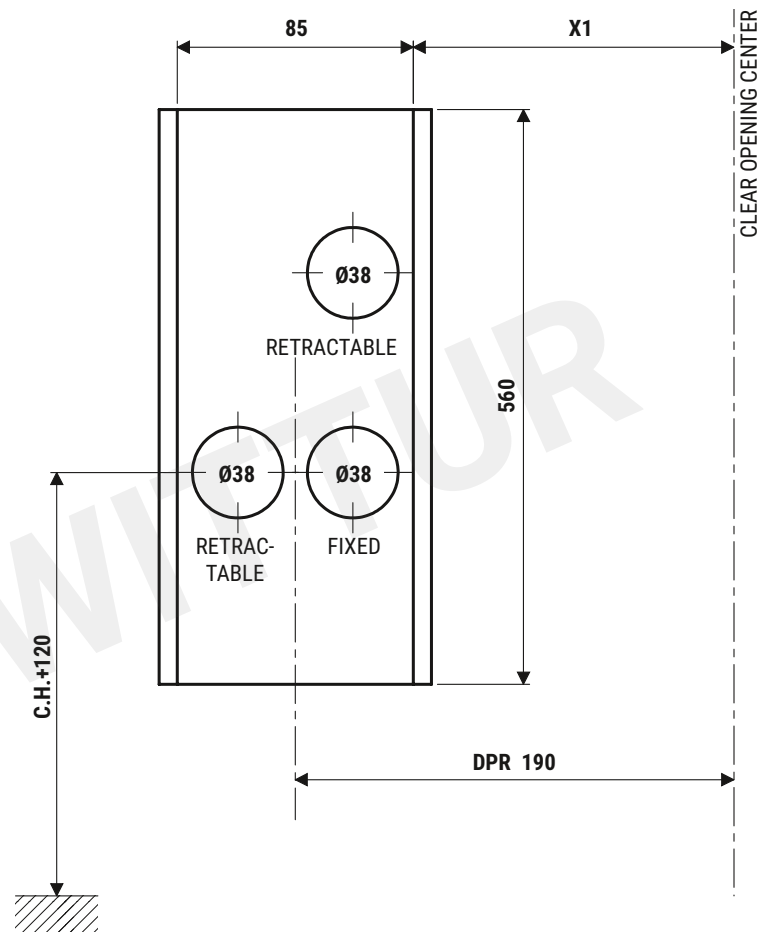
Informations : Any other reproduction in any form without Wittur permission is prohibited. Text and photos are non-contractual and are subject to change without notice.

**ONLY**

**9940**



	X1
700	147



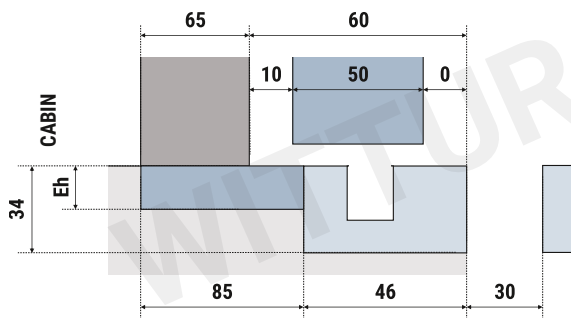
Important : Check the measure and change if different. Coupler and lock are drawn from the floor.

Informations : Any other reproduction in any form without Wittur permission is prohibited. Text and photos are non-contractual and are subject to change without notice.

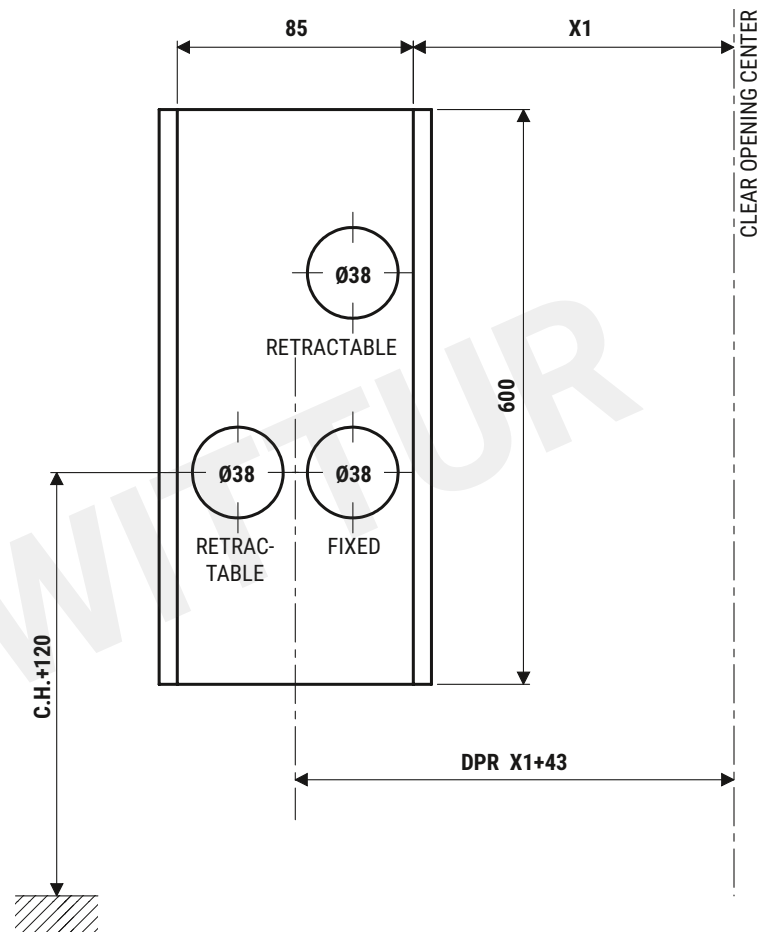


EUROPA

9940



	X1
800	177



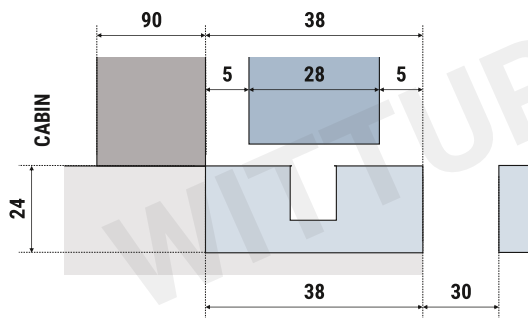
Important : Check the measure and change if different. Coupler and lock are drawn from the floor.

Informations : Any other reproduction in any form without Wittur permission is prohibited. Text and photos are non-contractual and are subject to change without notice.

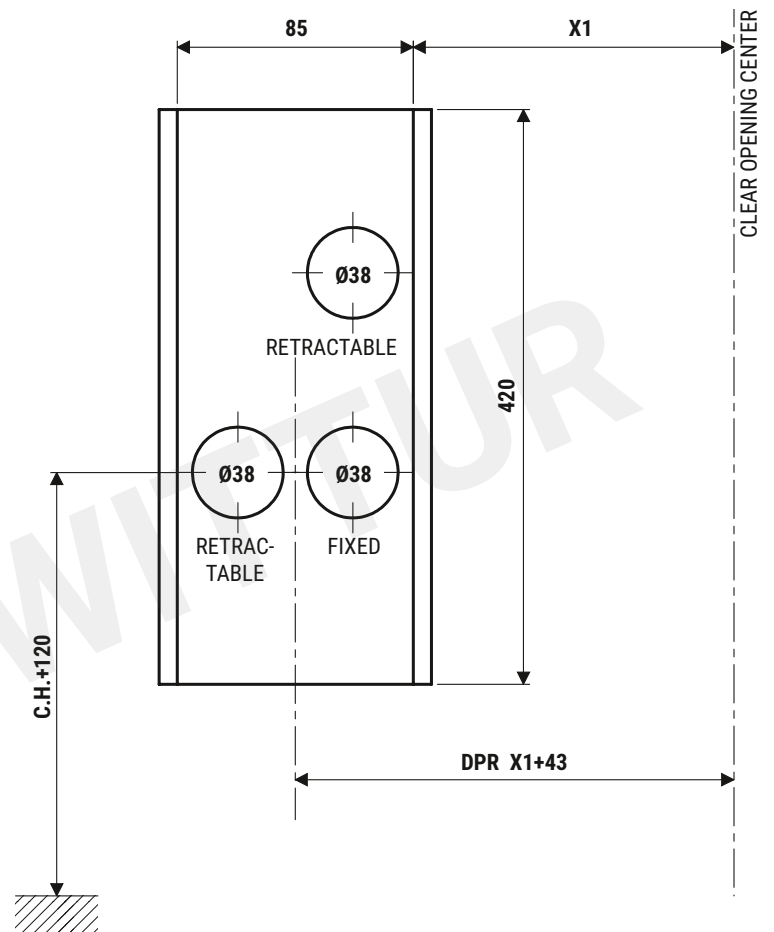


LM

9940



	X1
800	177



Important : Check the measure and change if different. Coupler and lock are drawn from the floor.

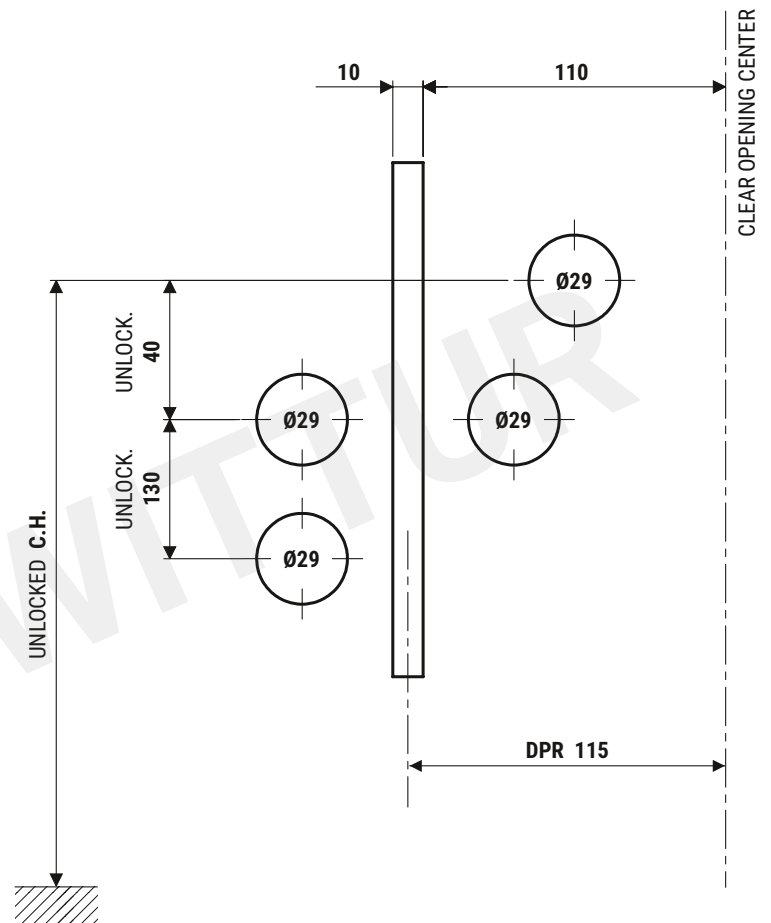
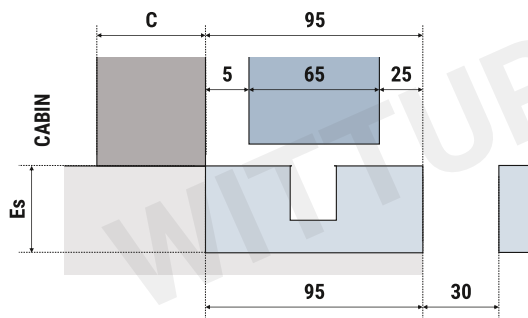
Informations : Any other reproduction in any form without Wittur permission is prohibited. Text and photos are non-contractual and are subject to change without notice.



C65

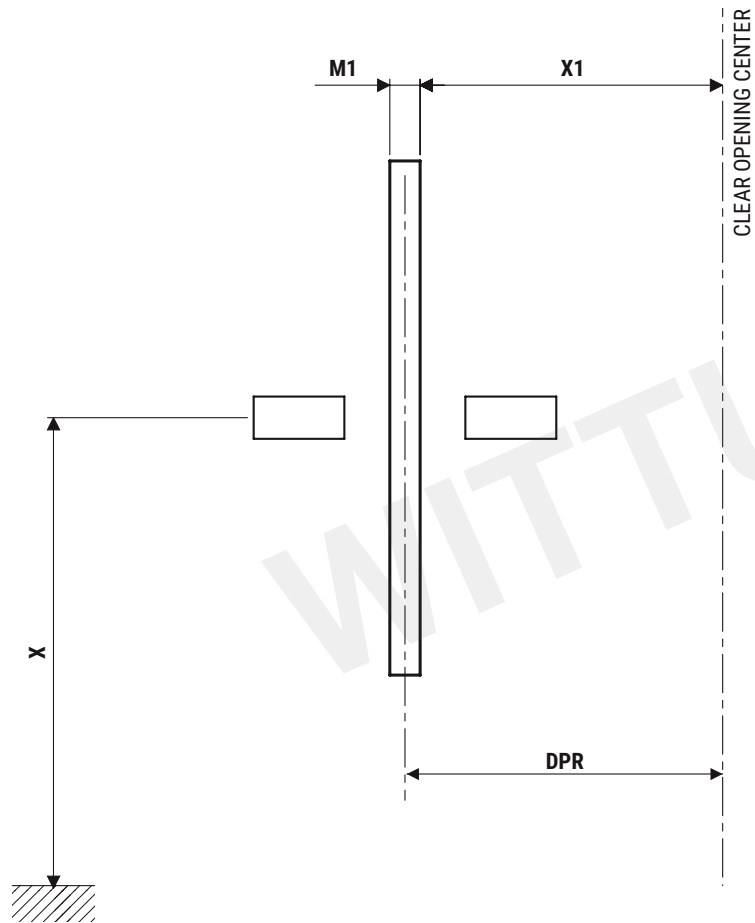


C65



Important : Check the measure and change if different. Coupler and lock are drawn from the floor.

Informations : Any other reproduction in any form without Wittur permission is prohibited. Text and photos are non-contractual and are subject to change without notice.



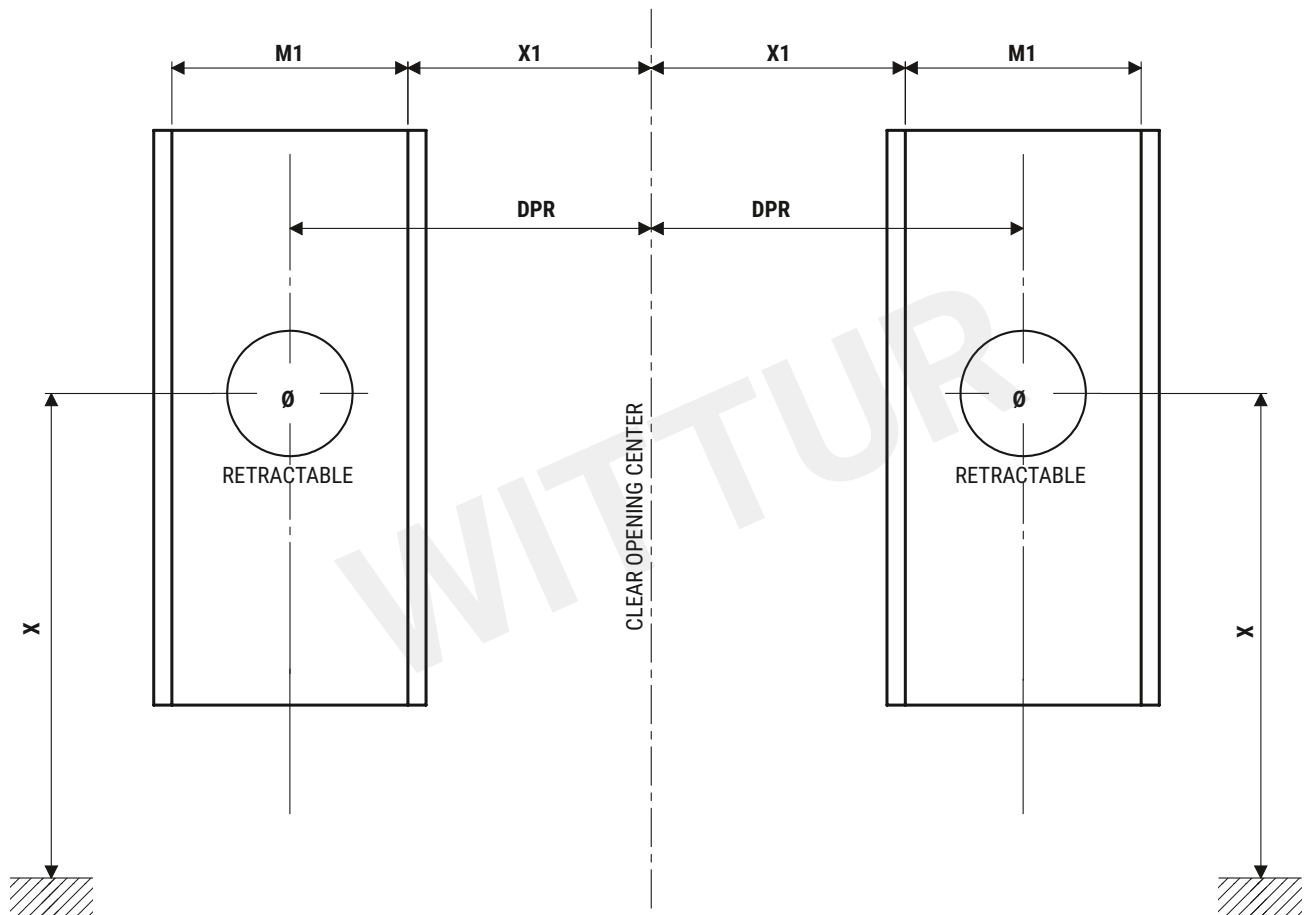
Important : Check the measure and change if different. Coupler and lock are drawn from the floor.

Informations : Any other reproduction in any form without Wittur permission is prohibited. Text and photos are non-contractual and are subject to change without notice.



**COMPACT**

**HOOK LOCK**



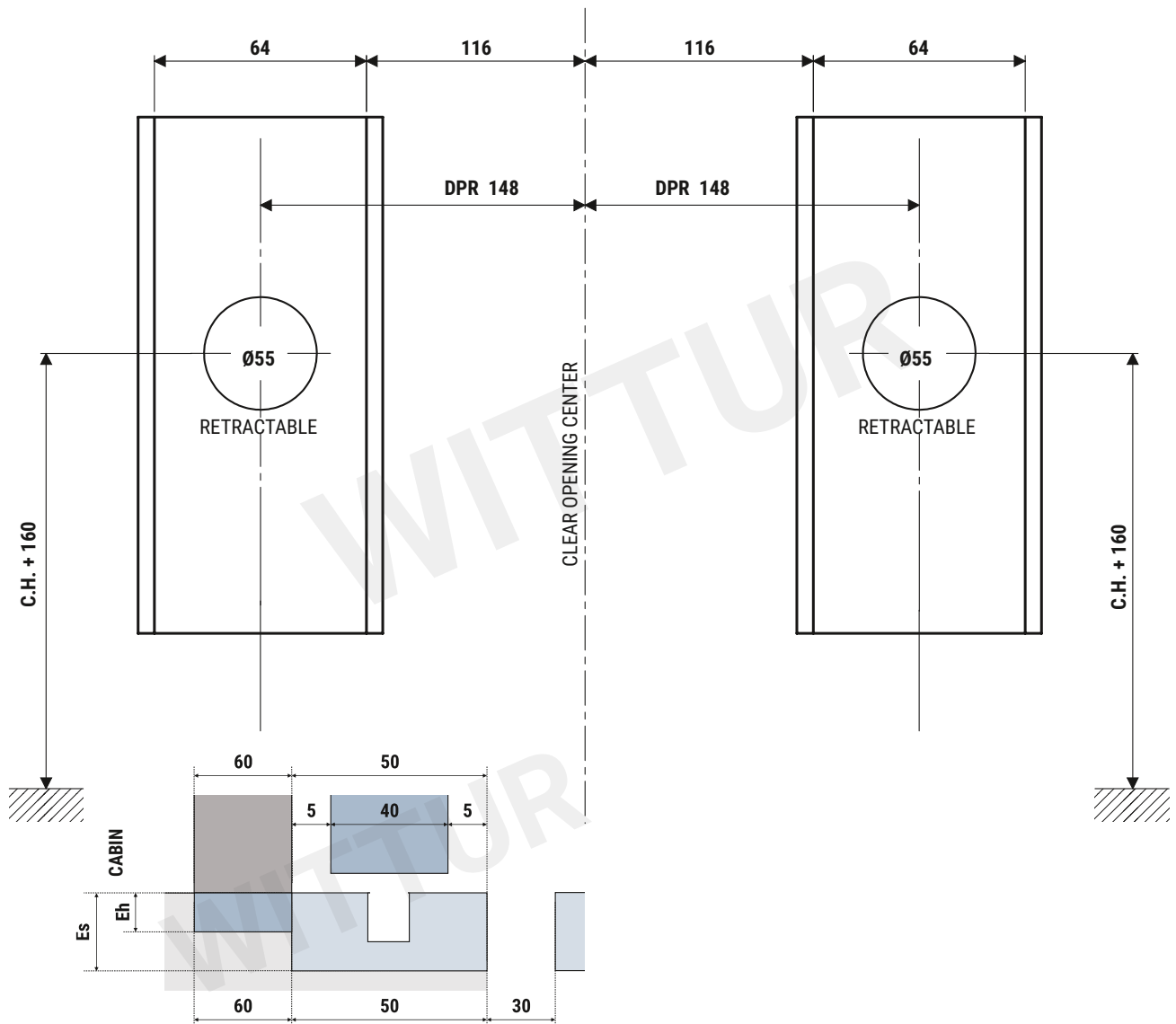
Important : Check the measure and change if different. Coupler and lock are drawn from the floor.

Informations : Any other reproduction in any form without Wittur permission is prohibited. Text and photos are non-contractual and are subject to change without notice.

TYPE 74, 83, 94



TYPE 74, 83, 94

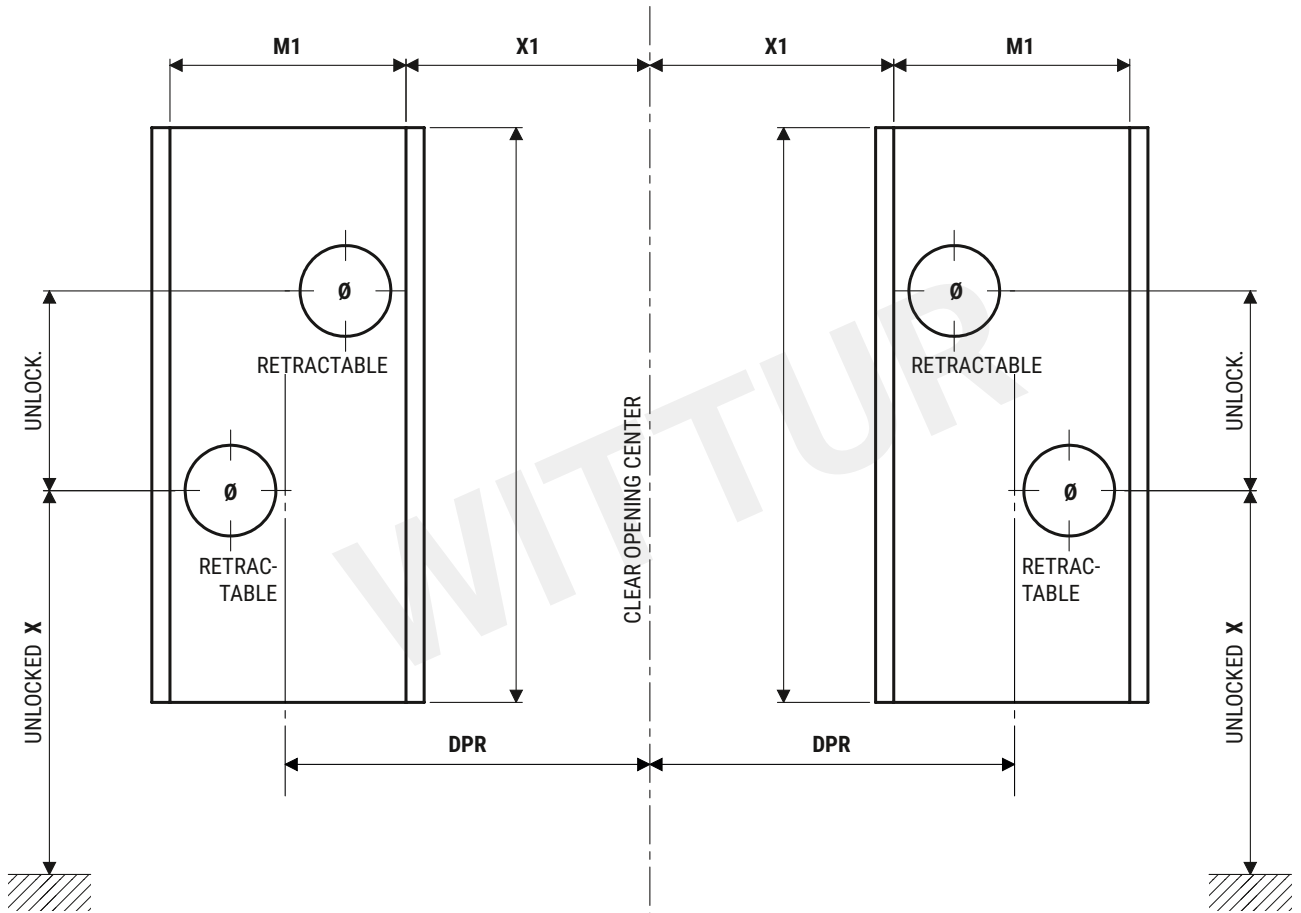


Important : Check the measure and change if different. Coupler and lock are drawn from the floor.

Informations : Any other reproduction in any form without Wittur permission is prohibited. Text and photos are non-contractual and are subject to change without notice.



SERIE A



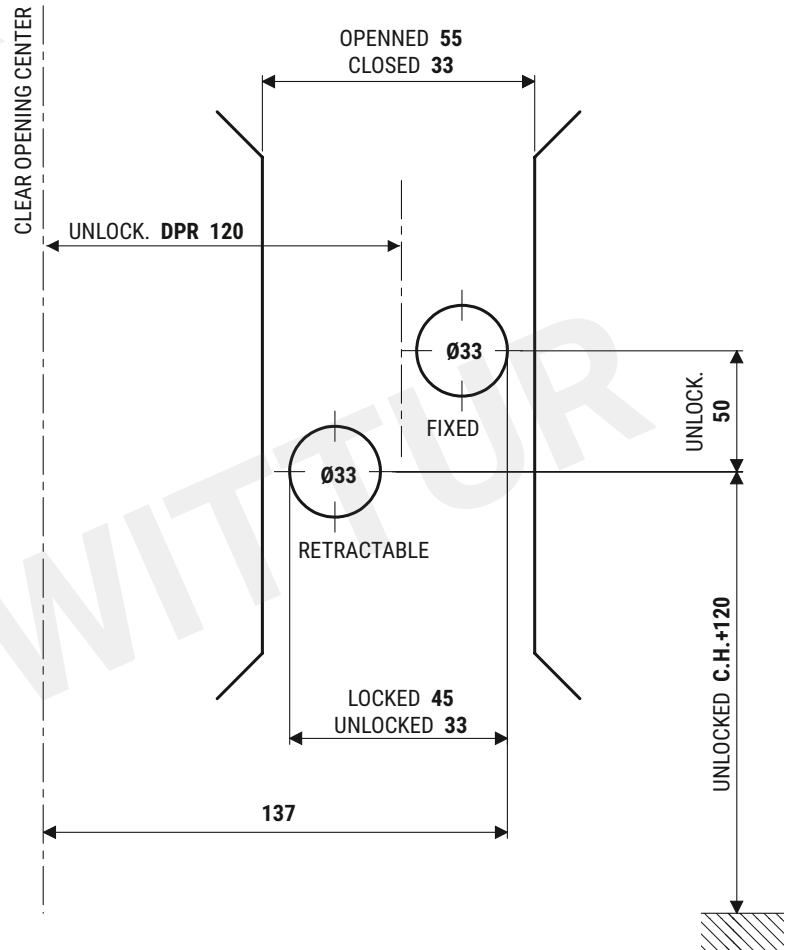
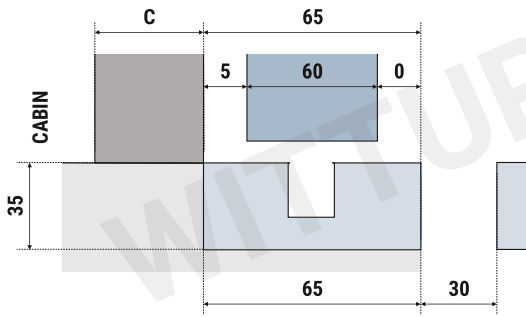
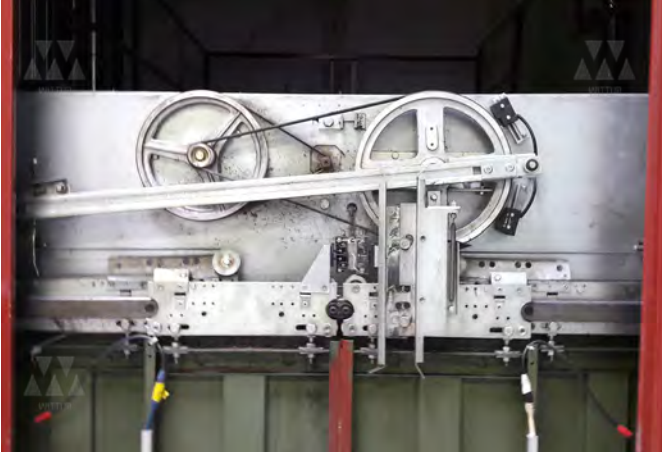
Important : Check the measure and change if different. Coupler and lock are drawn from the floor.

Informations : Any other reproduction in any form without Wittur permission is prohibited. Text and photos are non-contractual and are subject to change without notice.





K90



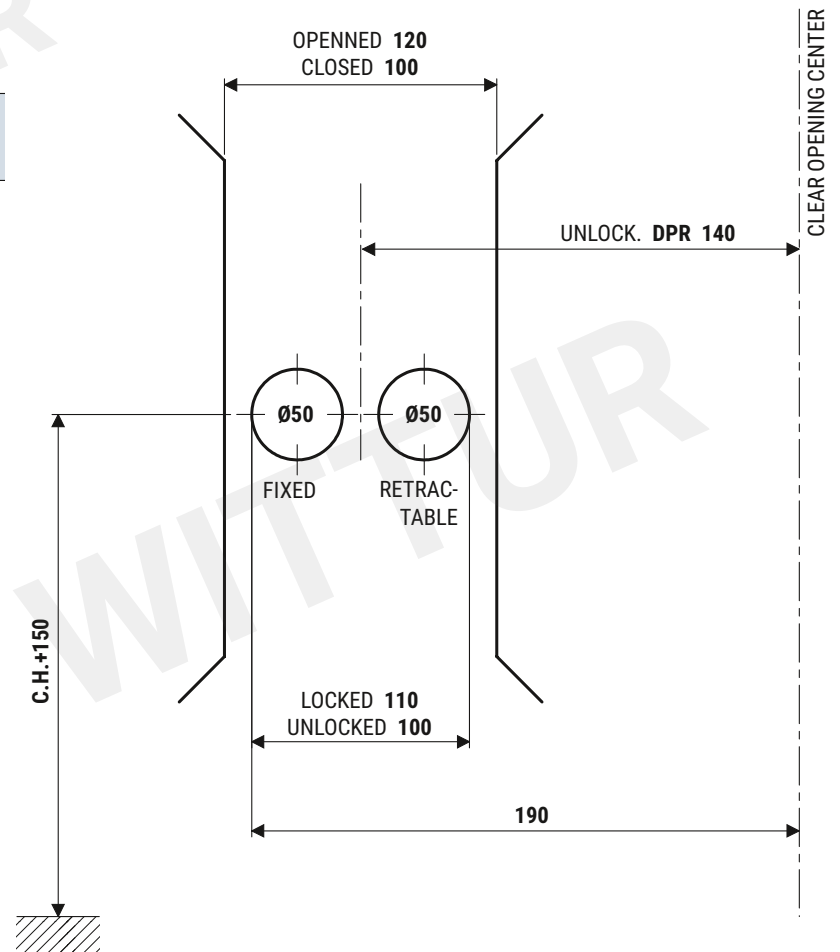
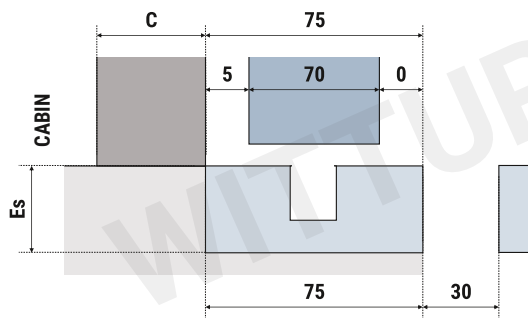
Important : Check the measure and change if different. Coupler and lock are drawn from the floor.

Informations : Any other reproduction in any form without Wittur permission is prohibited. Text and photos are non-contractual and are subject to change without notice.



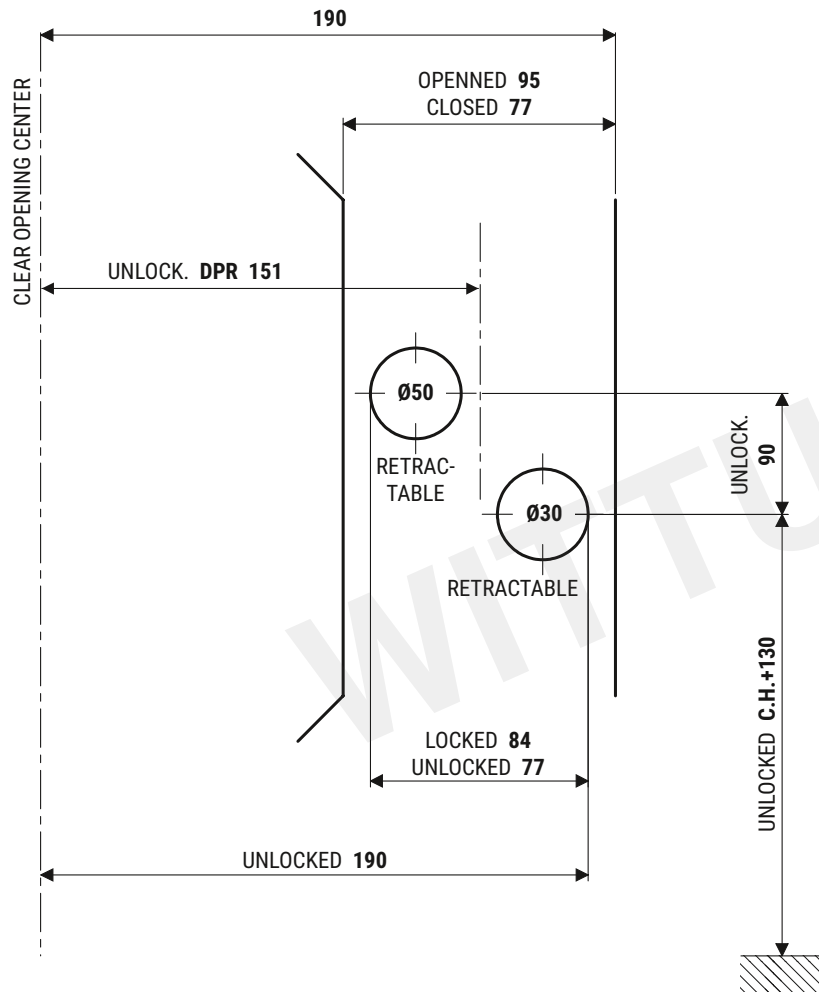
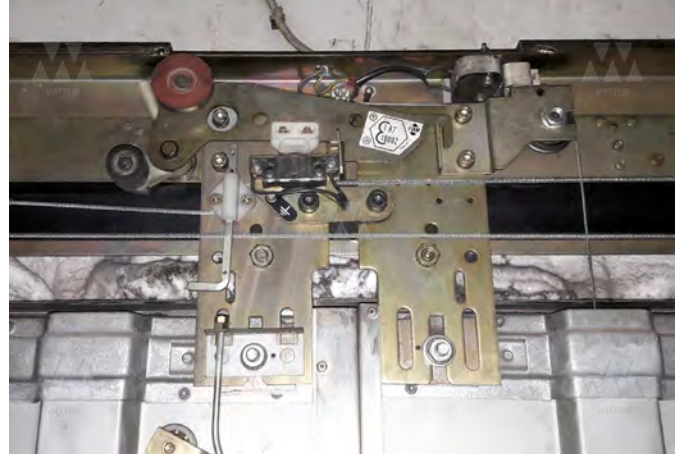
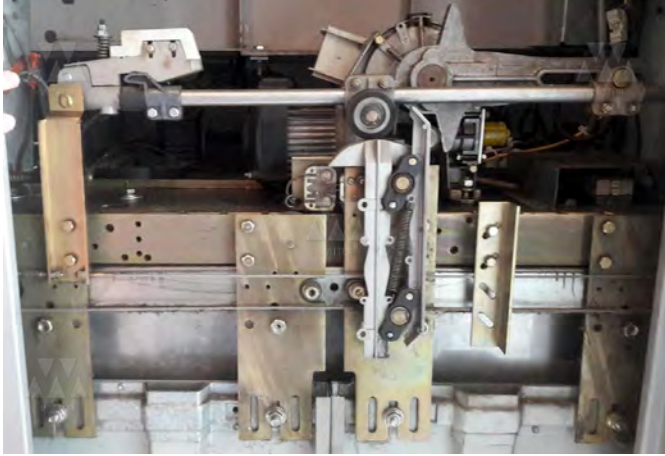


**E1-AL "Ø50"**



Important : Check the measure and change if different. Coupler and lock are drawn from the floor.

Informations : Any other reproduction in any form without Wittur permission is prohibited. Text and photos are non-contractual and are subject to change without notice.

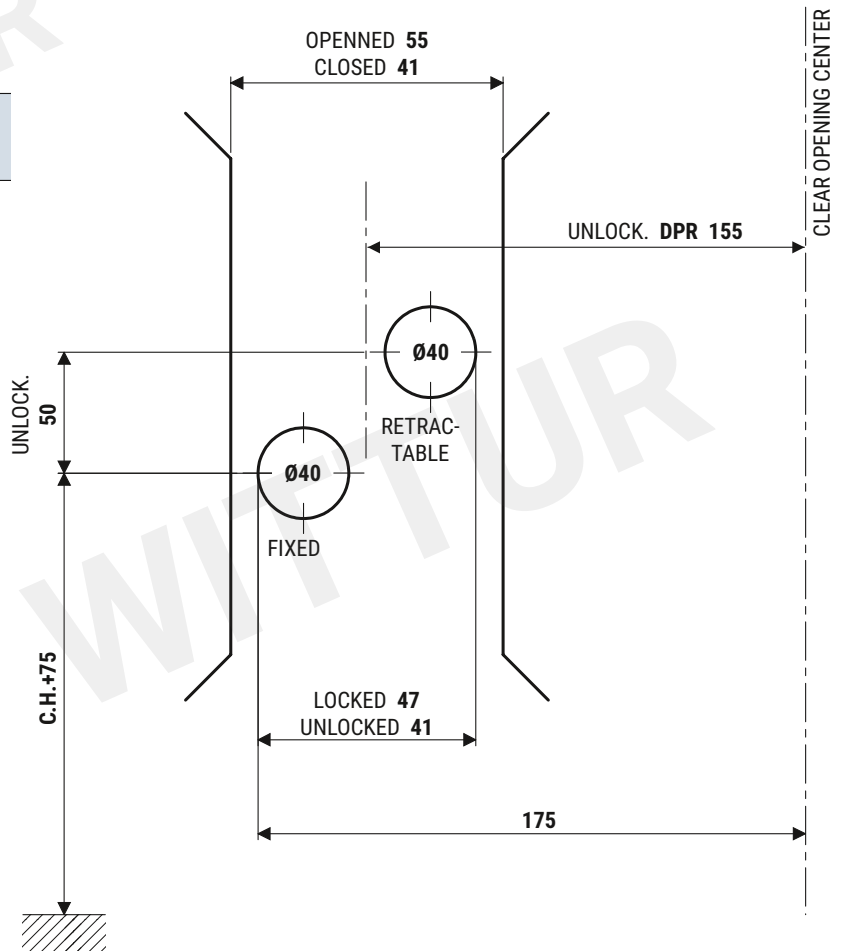
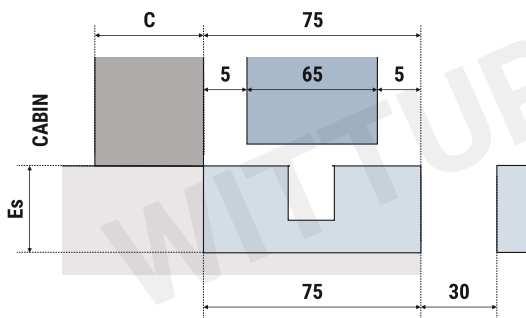


Important : Check the measure and change if different. Coupler and lock are drawn from the floor.

Informations : Any other reproduction in any form without Wittur permission is prohibited. Text and photos are non-contractual and are subject to change without notice.

### KONE RENOVA "MOD"

### PROKODIS SM90/97



Important : Check the measure and change if different. Coupler and lock are drawn from the floor.

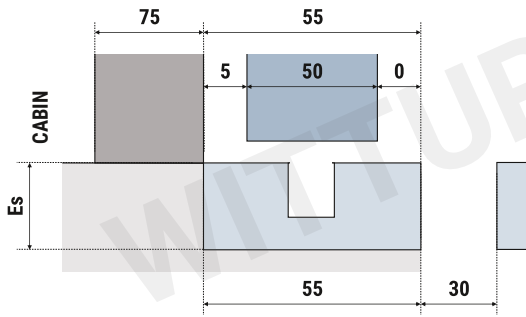
Informations : Any other reproduction in any form without Wittur permission is prohibited. Text and photos are non-contractual and are subject to change without notice.



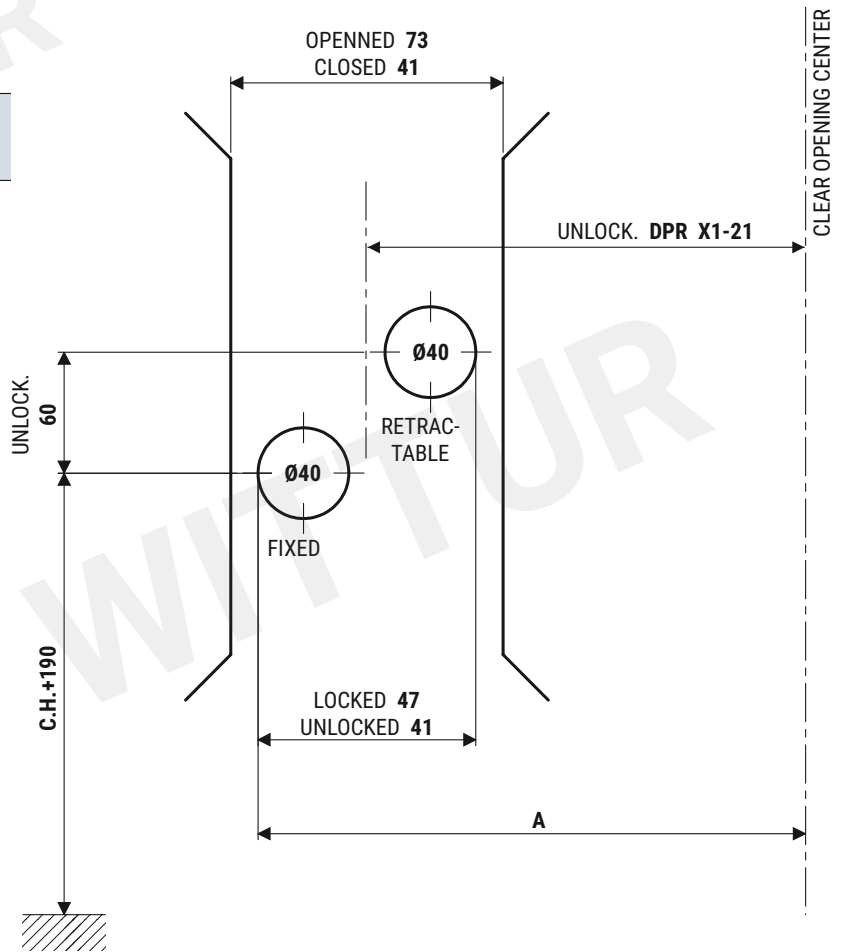
ADM-ADR



ADM-ADR



	A
700	210
800	235
900	260

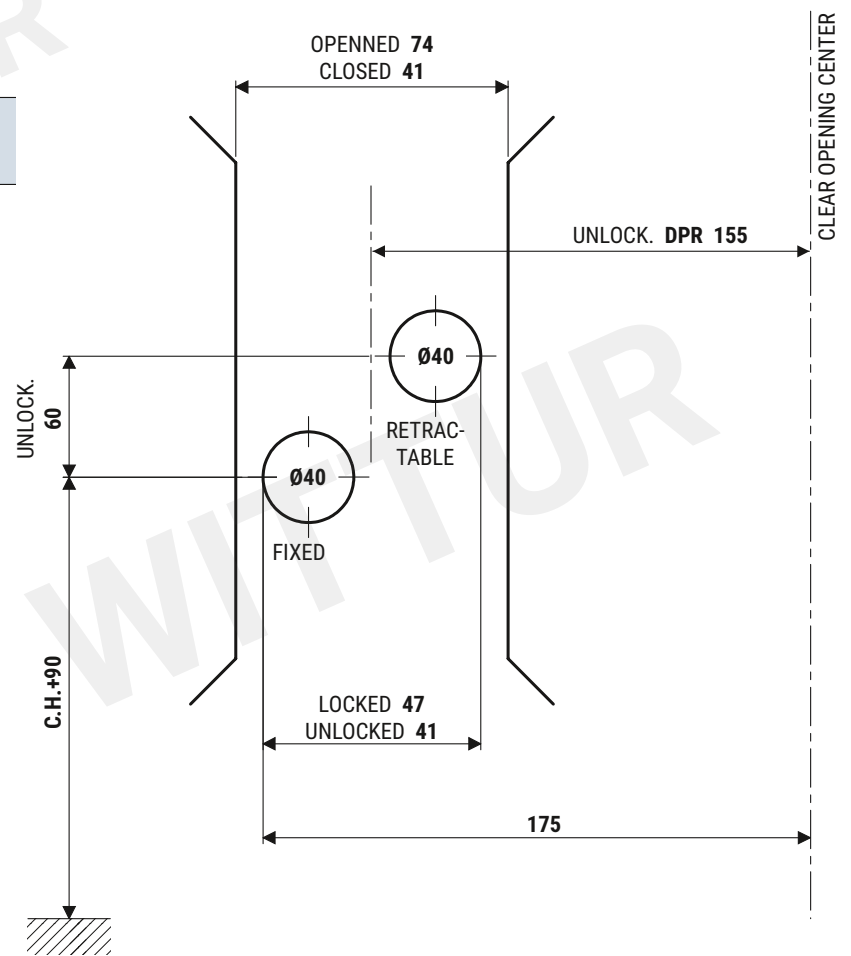
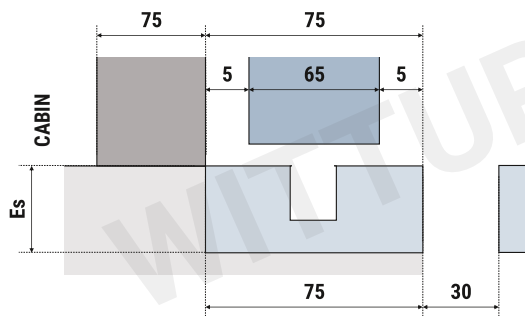


Important : Check the measure and change if different. Coupler and lock are drawn from the floor.

Informations : Any other reproduction in any form without Wittur permission is prohibited. Text and photos are non-contractual and are subject to change without notice.

**ADB-ADE-OAK**

**OAK45**



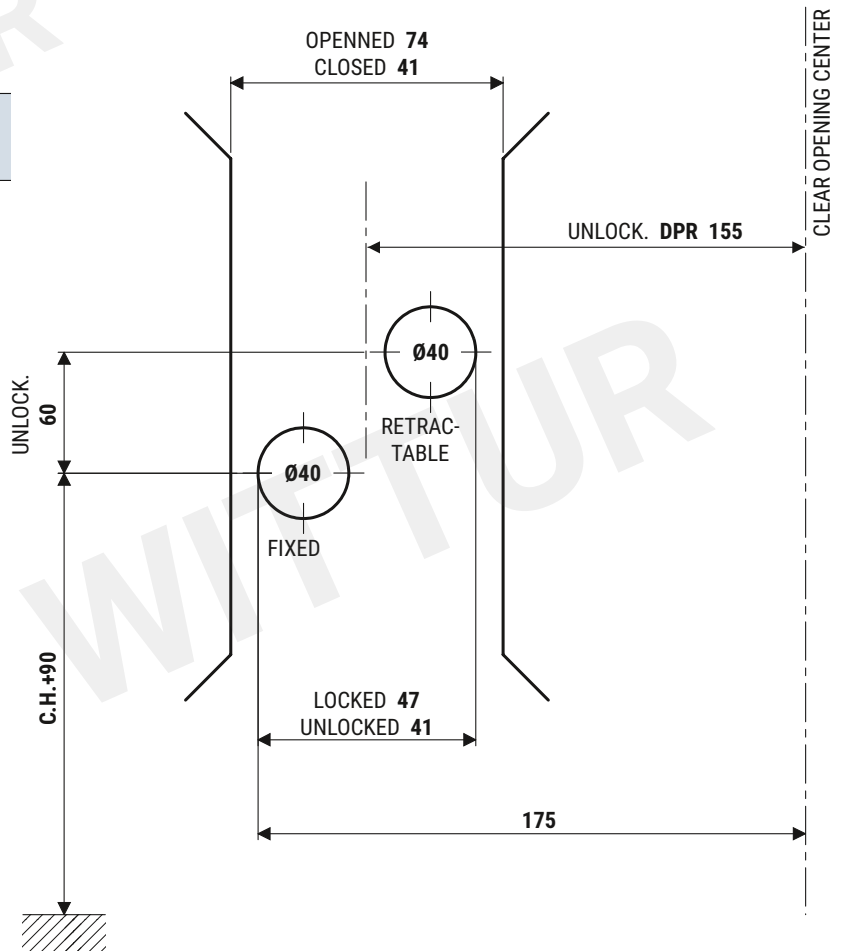
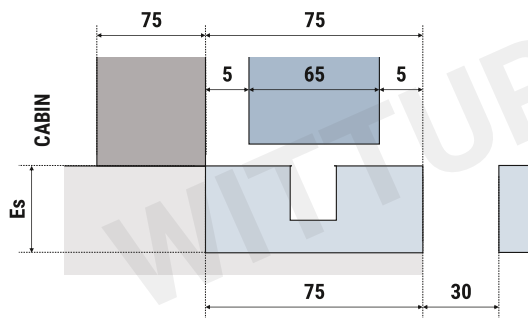
Important : Check the measure and change if different. Coupler and lock are drawn from the floor.

Informations : Any other reproduction in any form without Wittur permission is prohibited. Text and photos are non-contractual and are subject to change without notice.



ADB-ADE-OAK "OP ADC"

OAK45

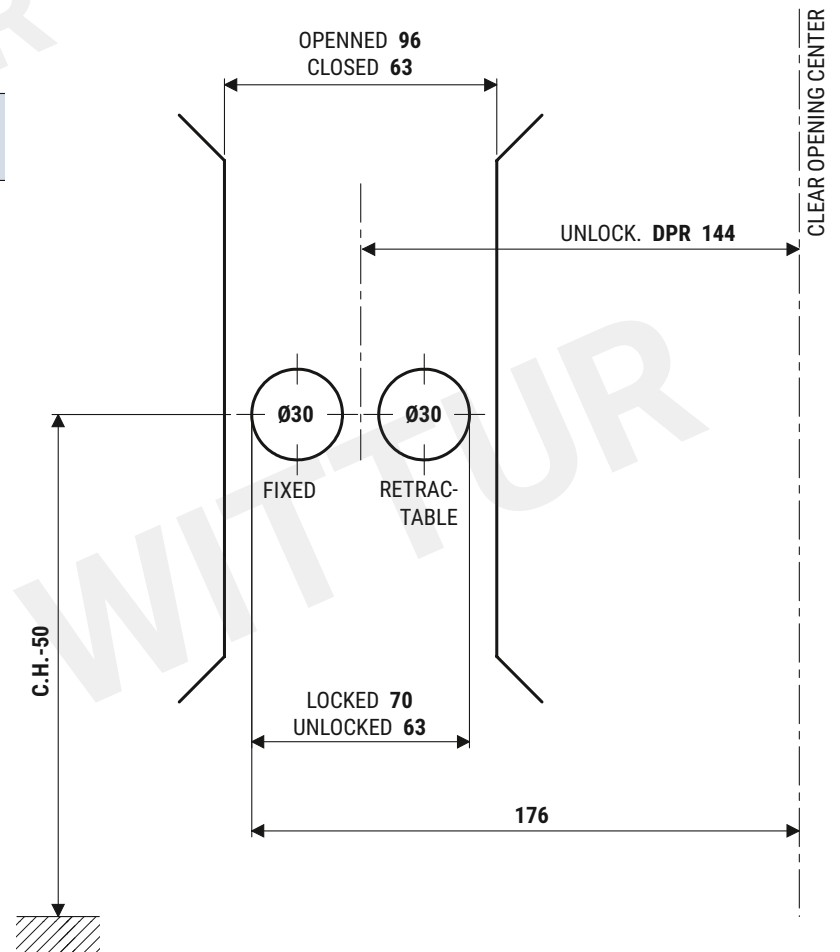
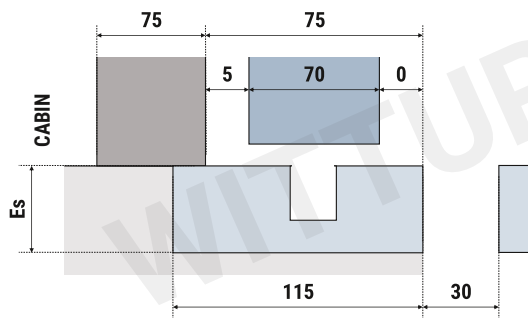
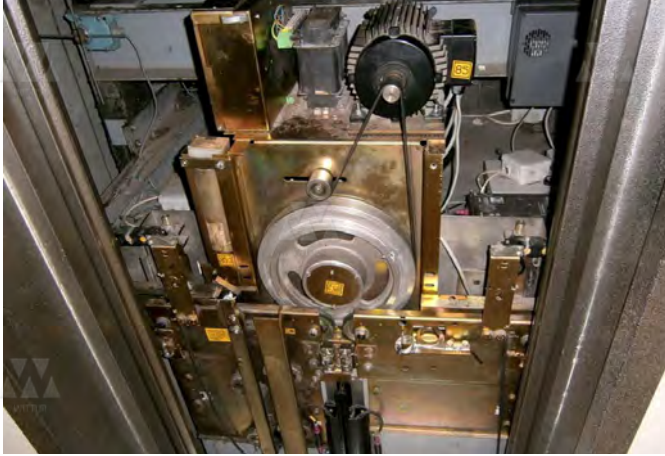


Important : Check the measure and change if different. Coupler and lock are drawn from the floor.

Informations : Any other reproduction in any form without Wittur permission is prohibited. Text and photos are non-contractual and are subject to change without notice.

**ADC-ADF**

**ADL**



Important : Check the measure and change if different. Coupler and lock are drawn from the floor.

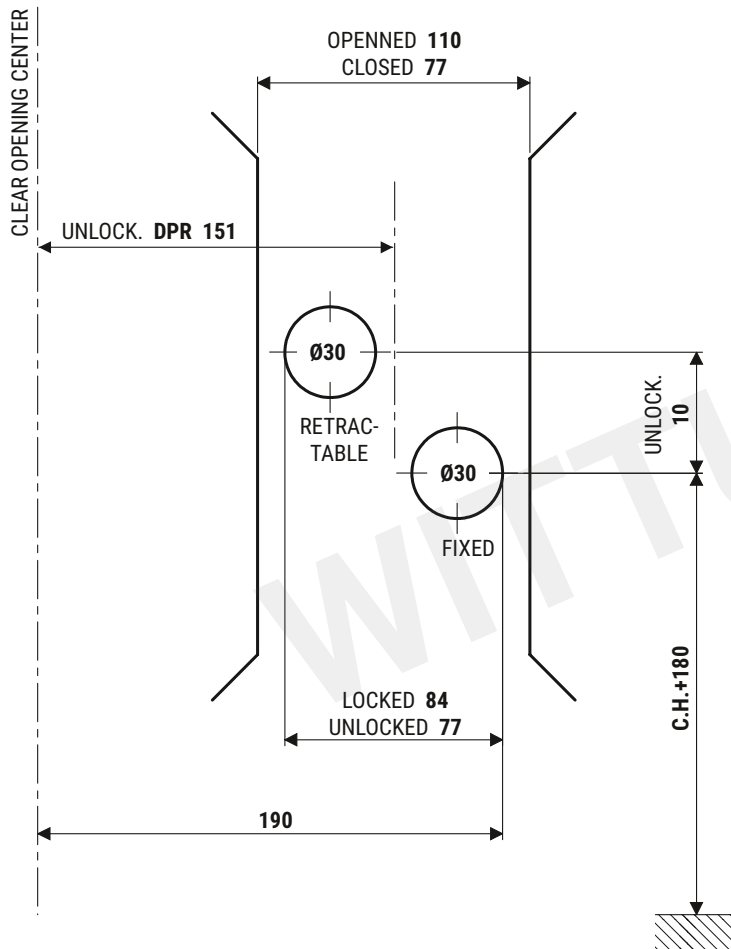
Informations : Any other reproduction in any form without Wittur permission is prohibited. Text and photos are non-contractual and are subject to change without notice.



AMDC1C



AMDL1-R2



Important : Check the measure and change if different. Coupler and lock are drawn from the floor.

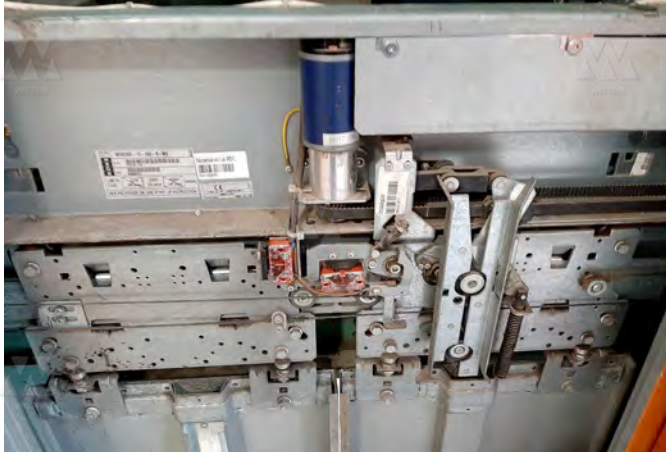
Informations : Any other reproduction in any form without Wittur permission is prohibited. Text and photos are non-contractual and are subject to change without notice.



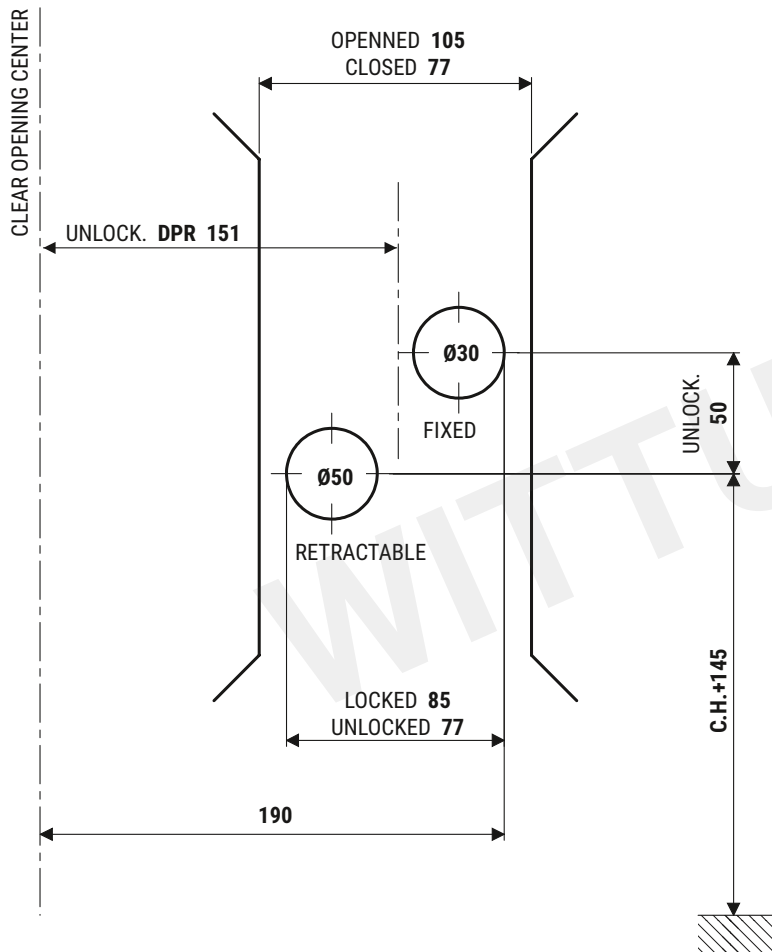
# KONE "WITTUR AMD"

## ID0144A

REN200C "R"



AMDL1-R1



Important : Check the measure and change if different. Coupler and lock are drawn from the floor.

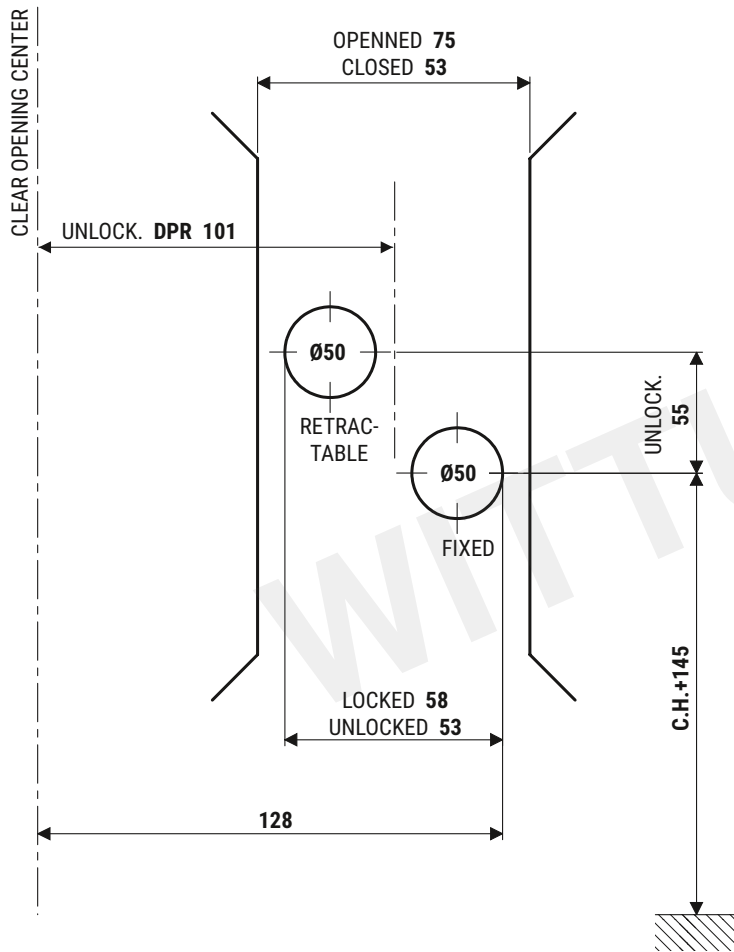
Informations : Any other reproduction in any form without Wittur permission is prohibited. Text and photos are non-contractual and are subject to change without notice.



STARLIFT



STARLIFT

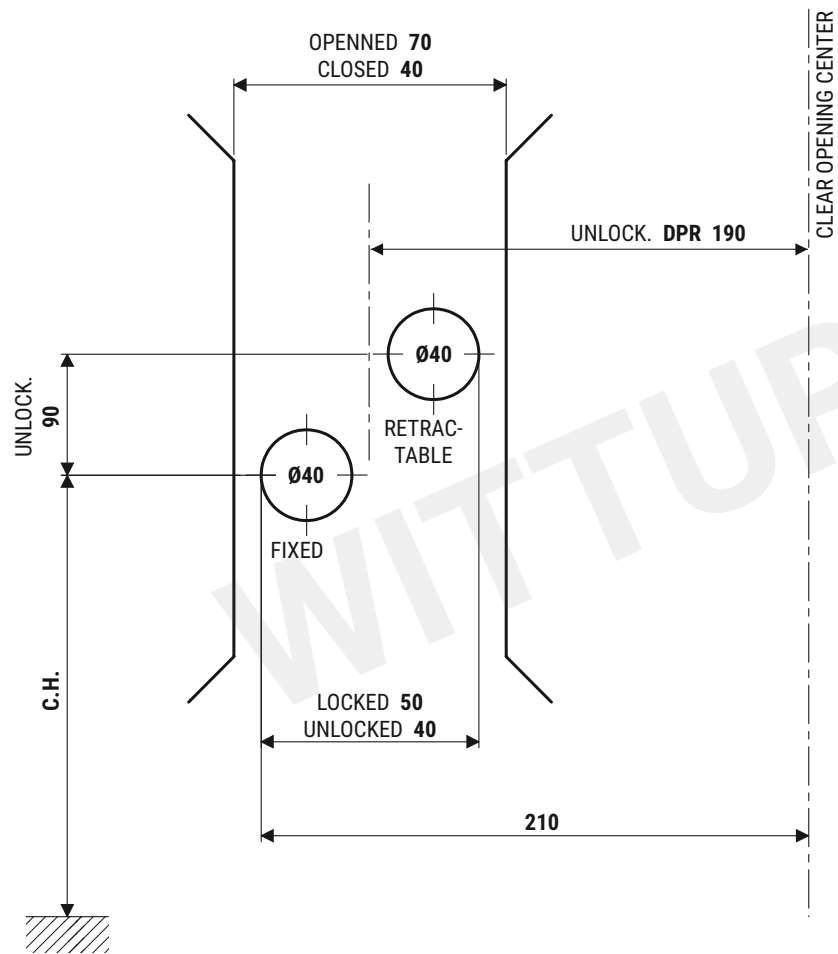
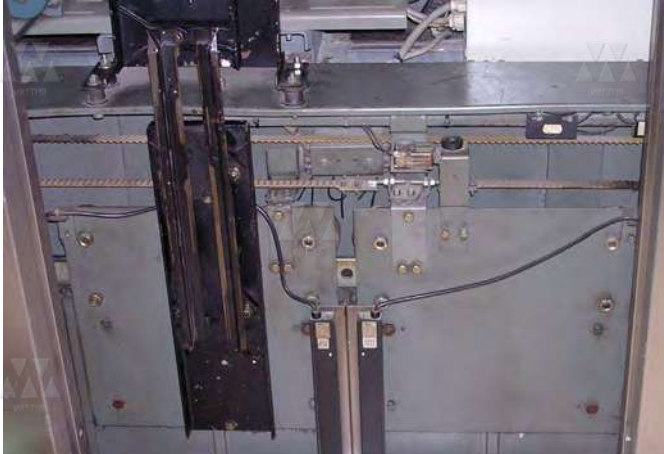


Important : Check the measure and change if different. Coupler and lock are drawn from the floor.

Informations : Any other reproduction in any form without Wittur permission is prohibited. Text and photos are non-contractual and are subject to change without notice.



**PAP-13**



Important : Check the measure and change if different. Coupler and lock are drawn from the floor.

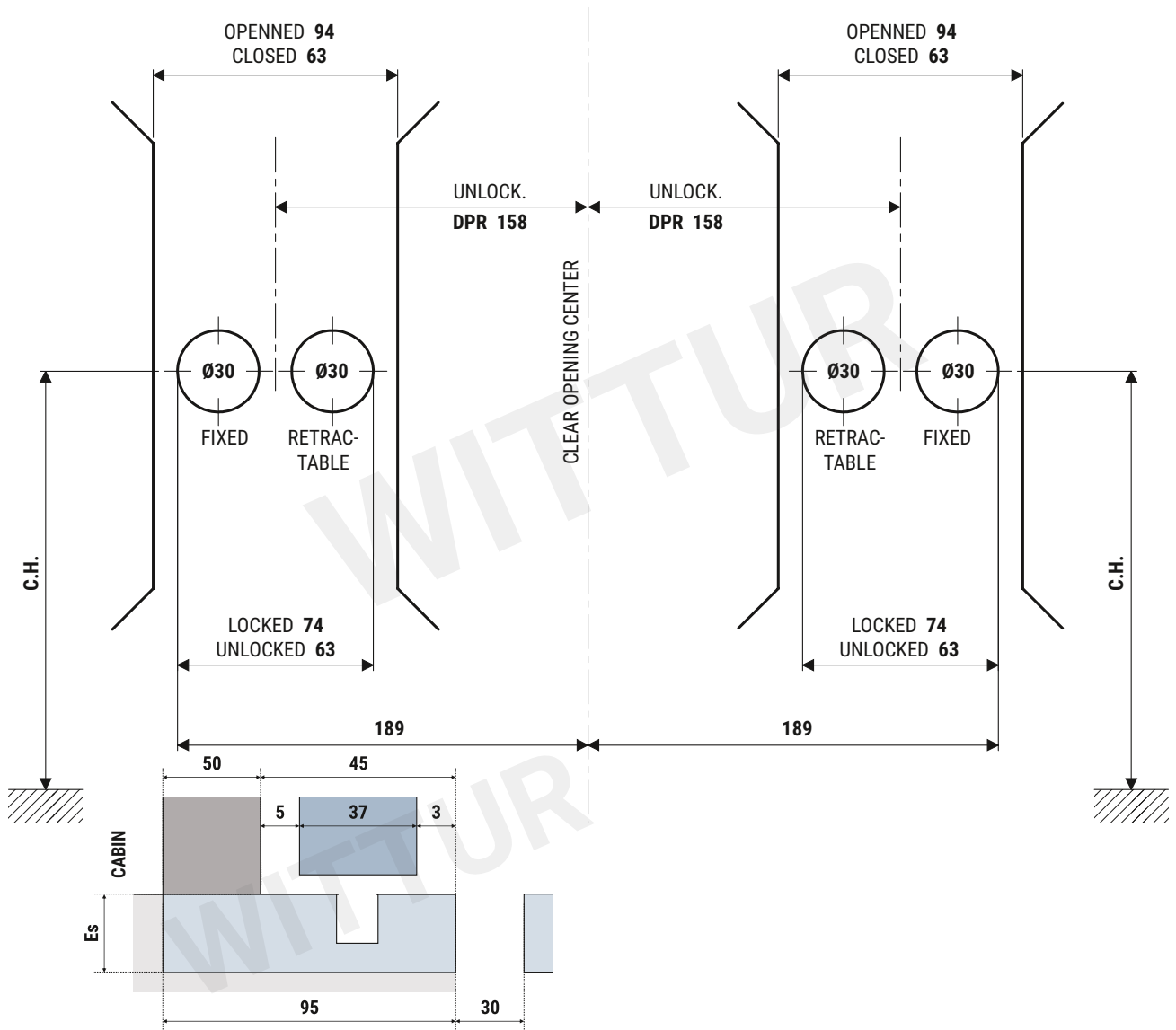
Informations : Any other reproduction in any form without Wittur permission is prohibited. Text and photos are non-contractual and are subject to change without notice.



ADX



ADX

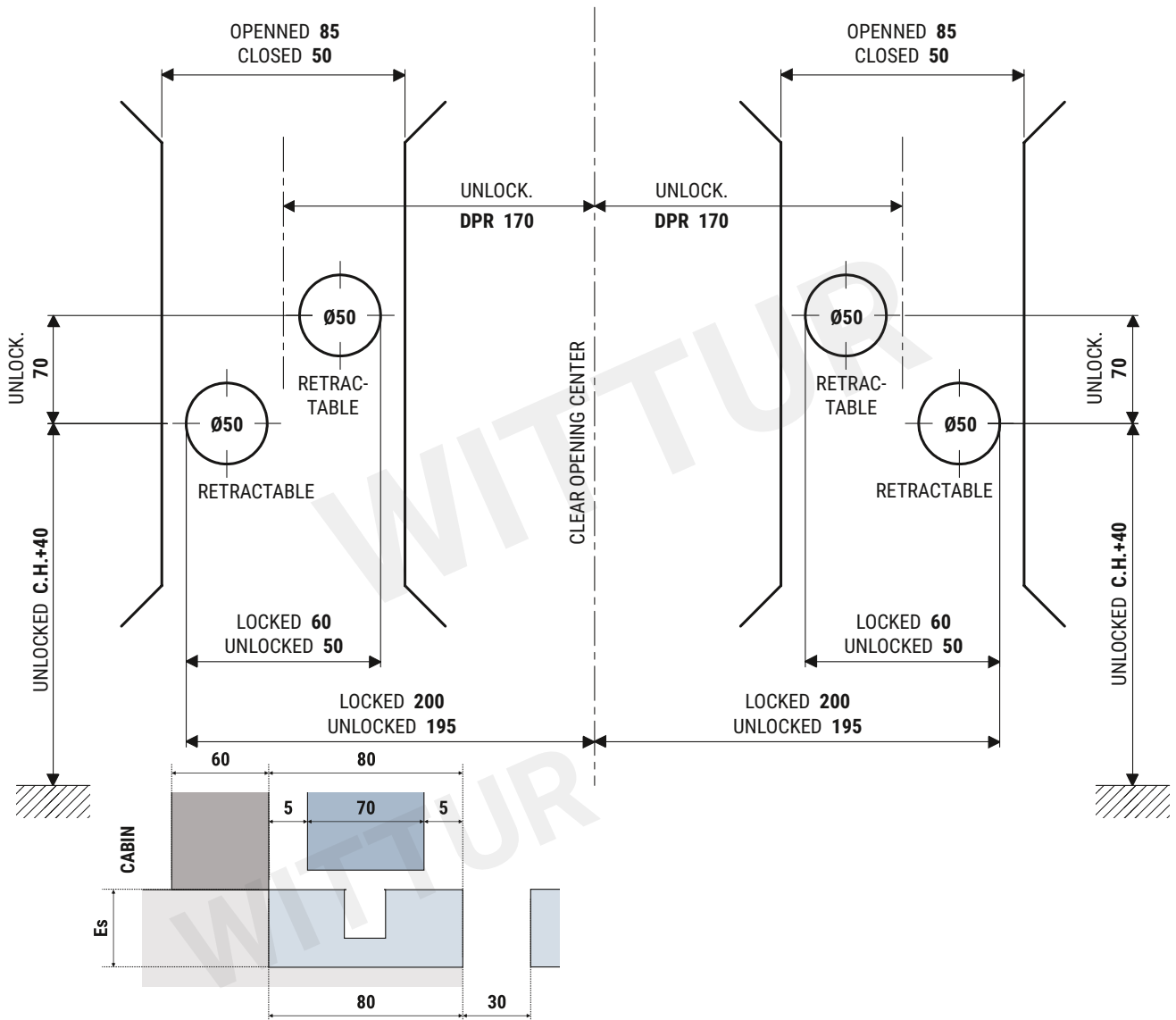
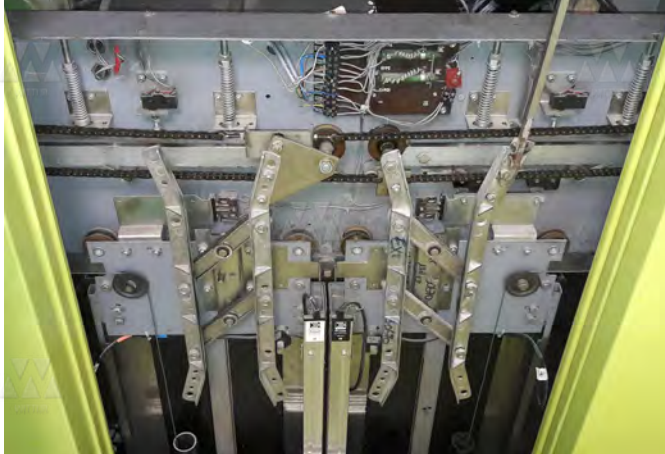


Important : Check the measure and change if different. Coupler and lock are drawn from the floor.

Informations : Any other reproduction in any form without Wittur permission is prohibited. Text and photos are non-contractual and are subject to change without notice.



WeM<sup>OD</sup>  
**ORONA**  
**ID0085A**



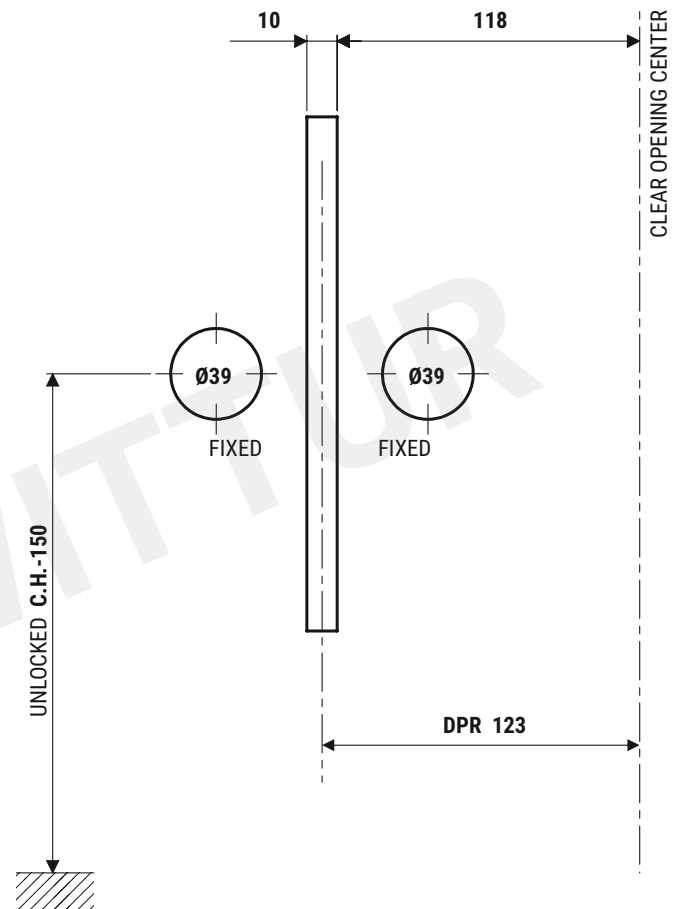
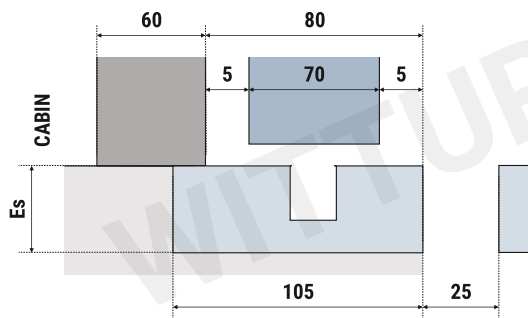
Important : Check the measure and change if different. Coupler and lock are drawn from the floor.

Informations : Any other reproduction in any form without Wittur permission is prohibited. Text and photos are non-contractual and are subject to change without notice.



ACC

APC



Important : Check the measure and change if different. Coupler and lock are drawn from the floor.

Informations : Any other reproduction in any form without Wittur permission is prohibited. Text and photos are non-contractual and are subject to change without notice.

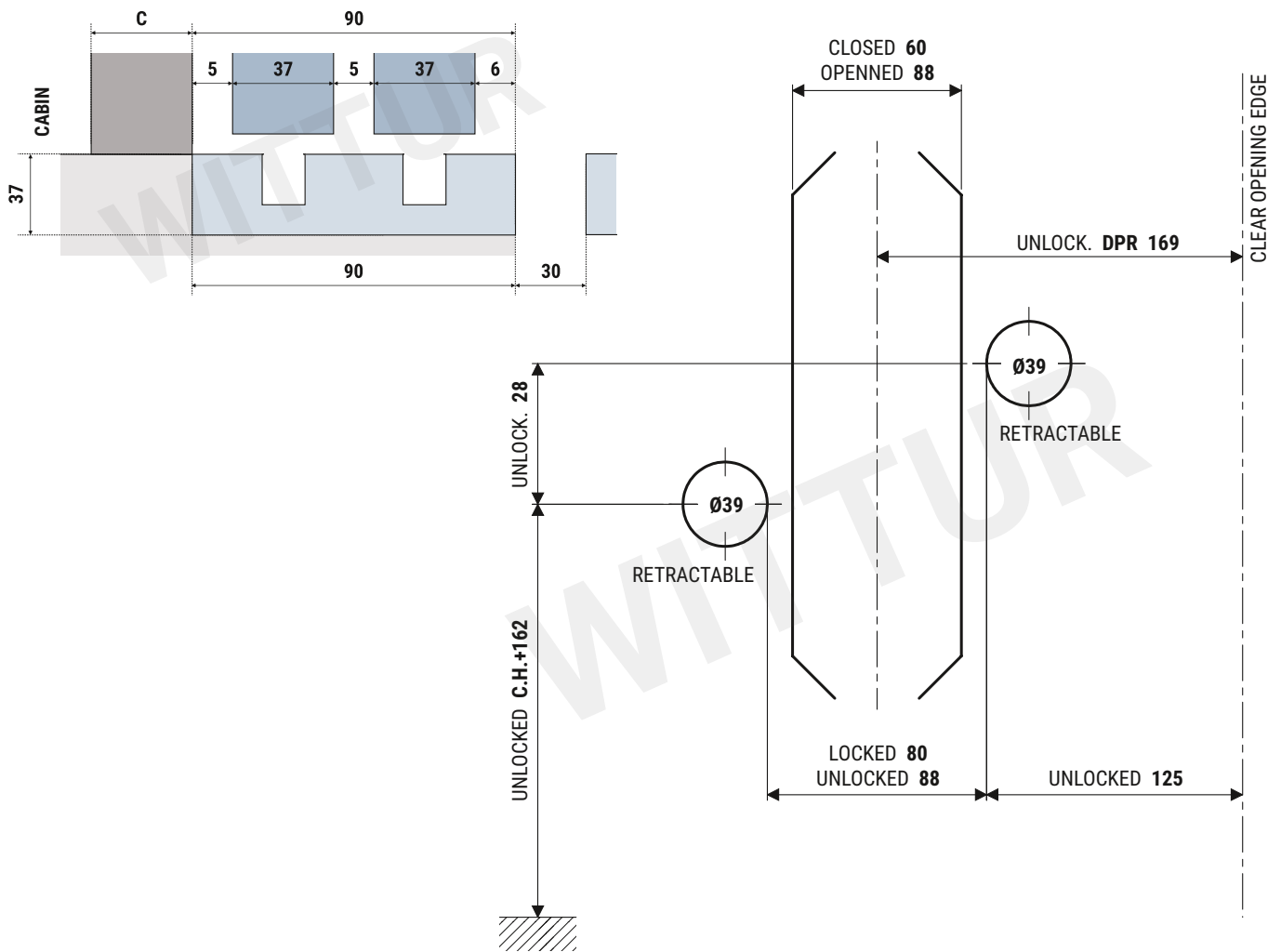
## SIDE OPENING 2 PANELS





HYDRAPLUS

HYDRA



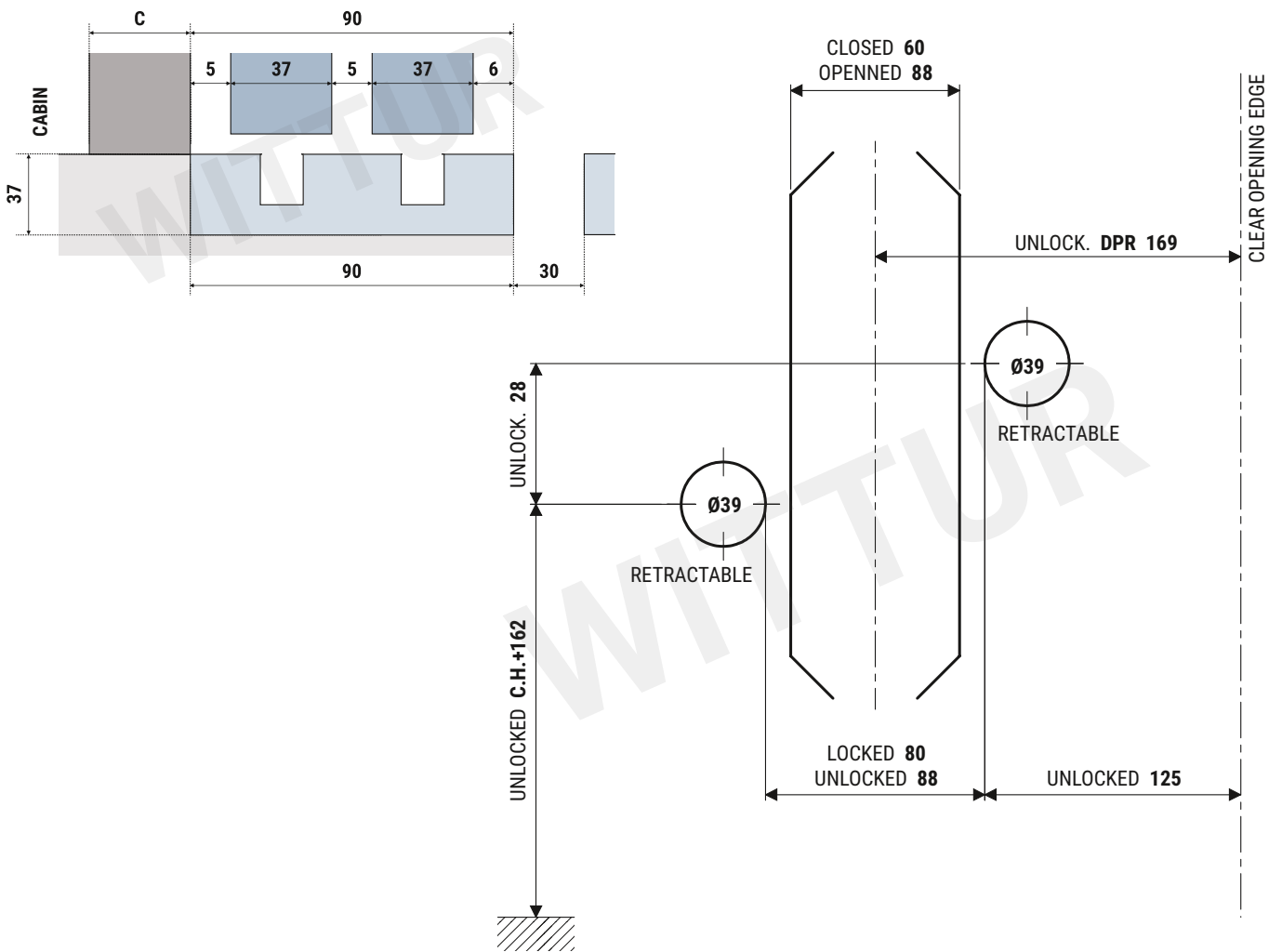
Important : Check the measure and change if different. Coupler and lock are drawn from the floor.

Informations : Any other reproduction in any form without Wittur permission is prohibited. Text and photos are non-contractual and are subject to change without notice.



### HYDRARM

### HYDRA



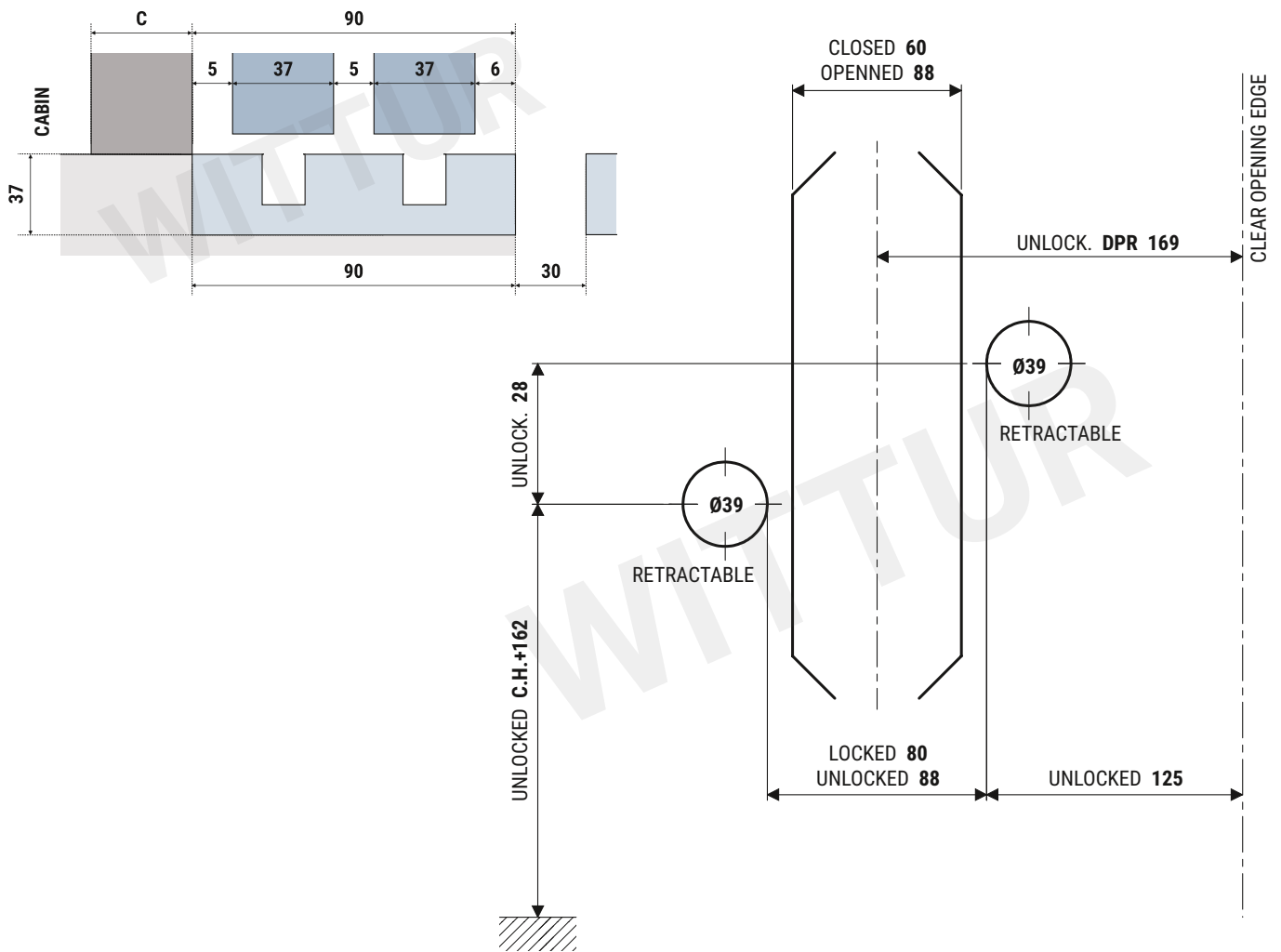
Important : Check the measure and change if different. Coupler and lock are drawn from the floor.

Informations : Any other reproduction in any form without Wittur permission is prohibited. Text and photos are non-contractual and are subject to change without notice.



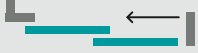
HYDRABELT

HYDRA



Important : Check the measure and change if different. Coupler and lock are drawn from the floor.

Informations : Any other reproduction in any form without Wittur permission is prohibited. Text and photos are non-contractual and are subject to change without notice.

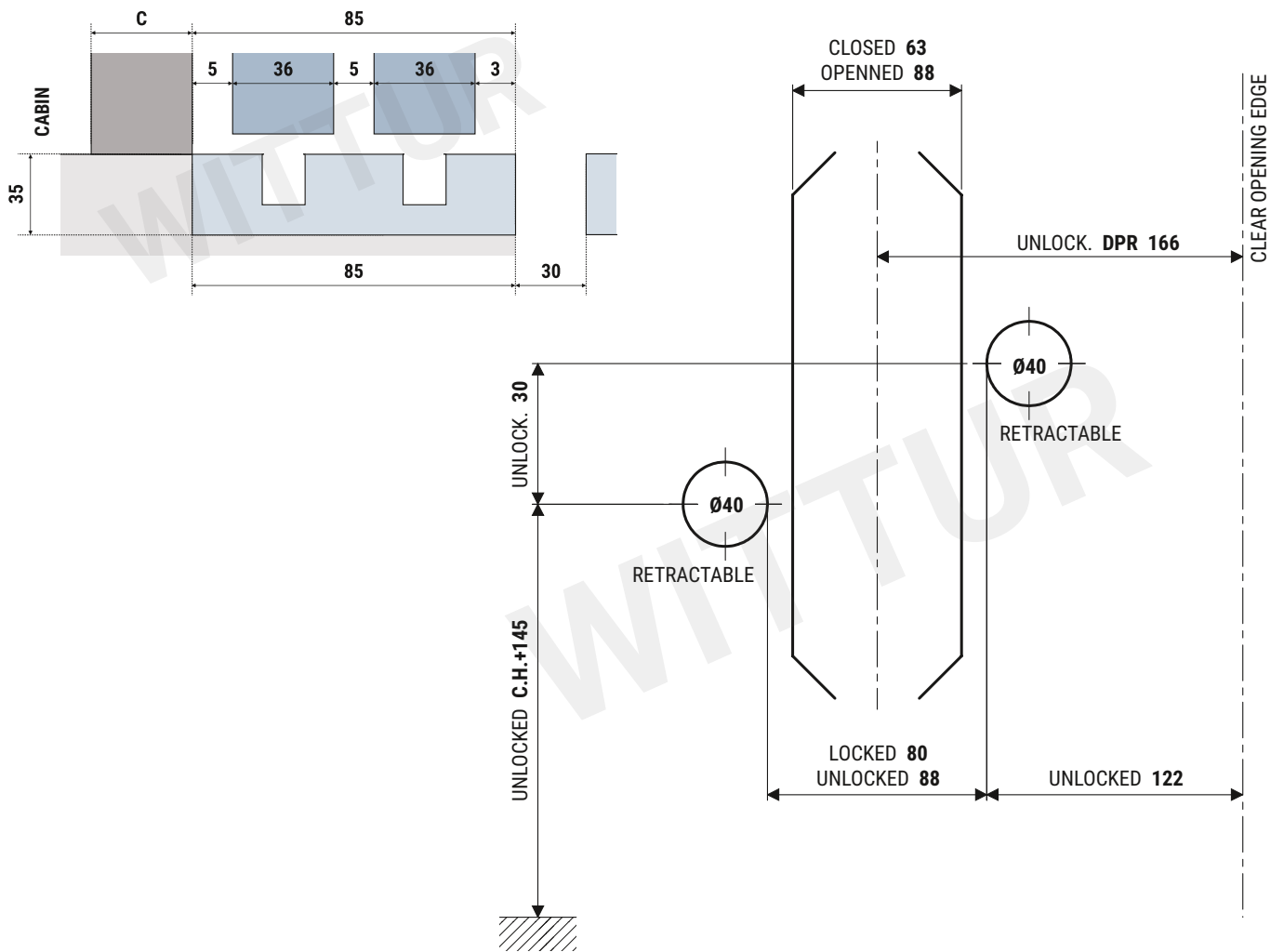
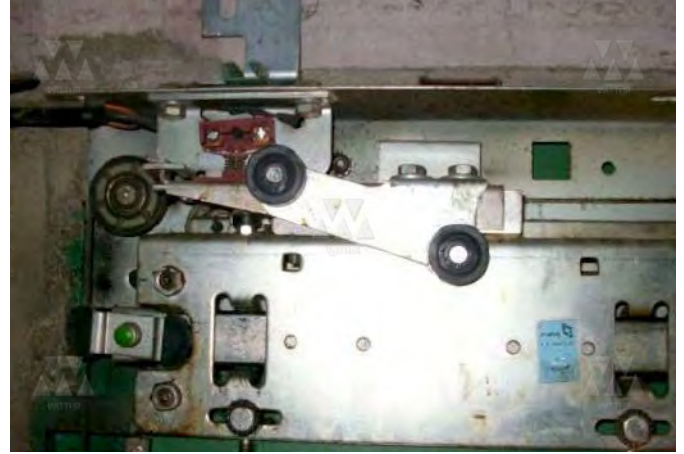


WeM<sup>+</sup>D  
**PUARSA**  
**ID0090A**



**ARAGON**

**ARAGON**



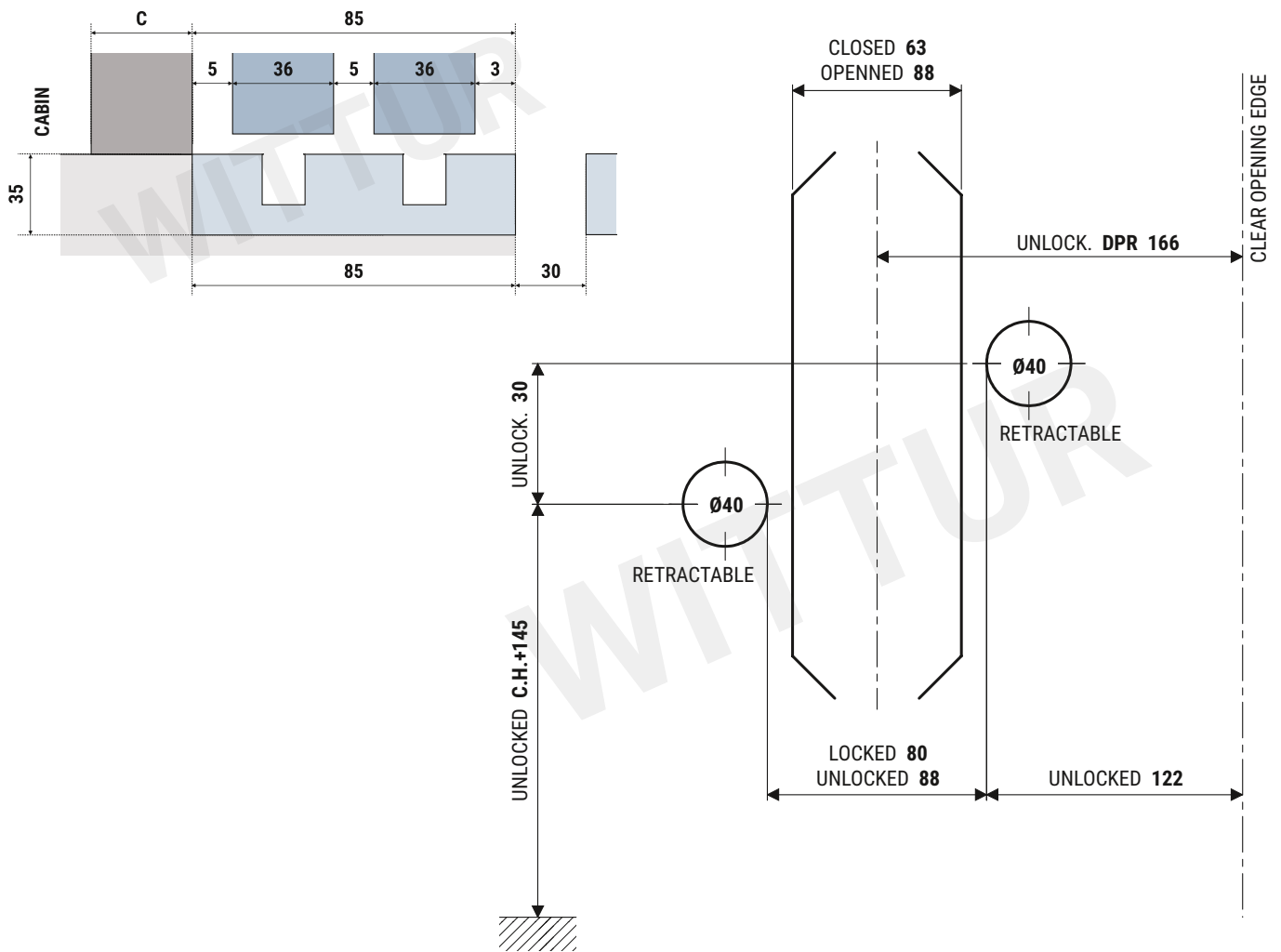
Important : Check the measure and change if different. Coupler and lock are drawn from the floor.

Informations : Any other reproduction in any form without Wittur permission is prohibited. Text and photos are non-contractual and are subject to change without notice.



**REVECO 2**

**MASSEN PA91D**

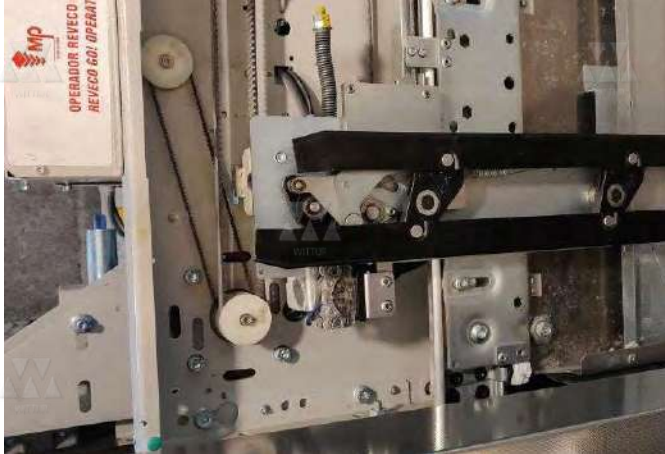


Important : Check the measure and change if different. Coupler and lock are drawn from the floor.

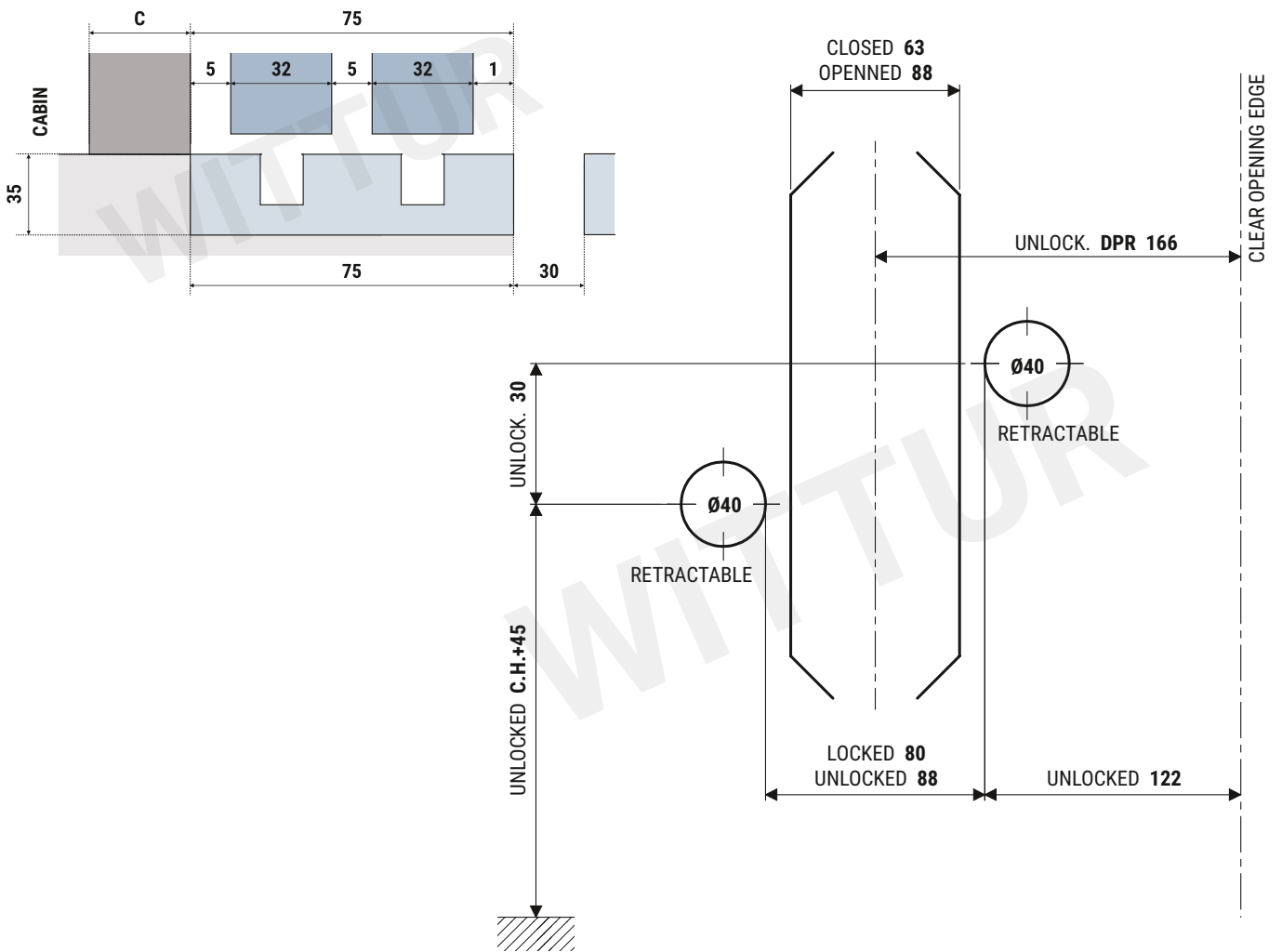
Informations : Any other reproduction in any form without Wittur permission is prohibited. Text and photos are non-contractual and are subject to change without notice.



### REVECO GO



### MASSEN EP-05



Important : Check the measure and change if different. Coupler and lock are drawn from the floor.

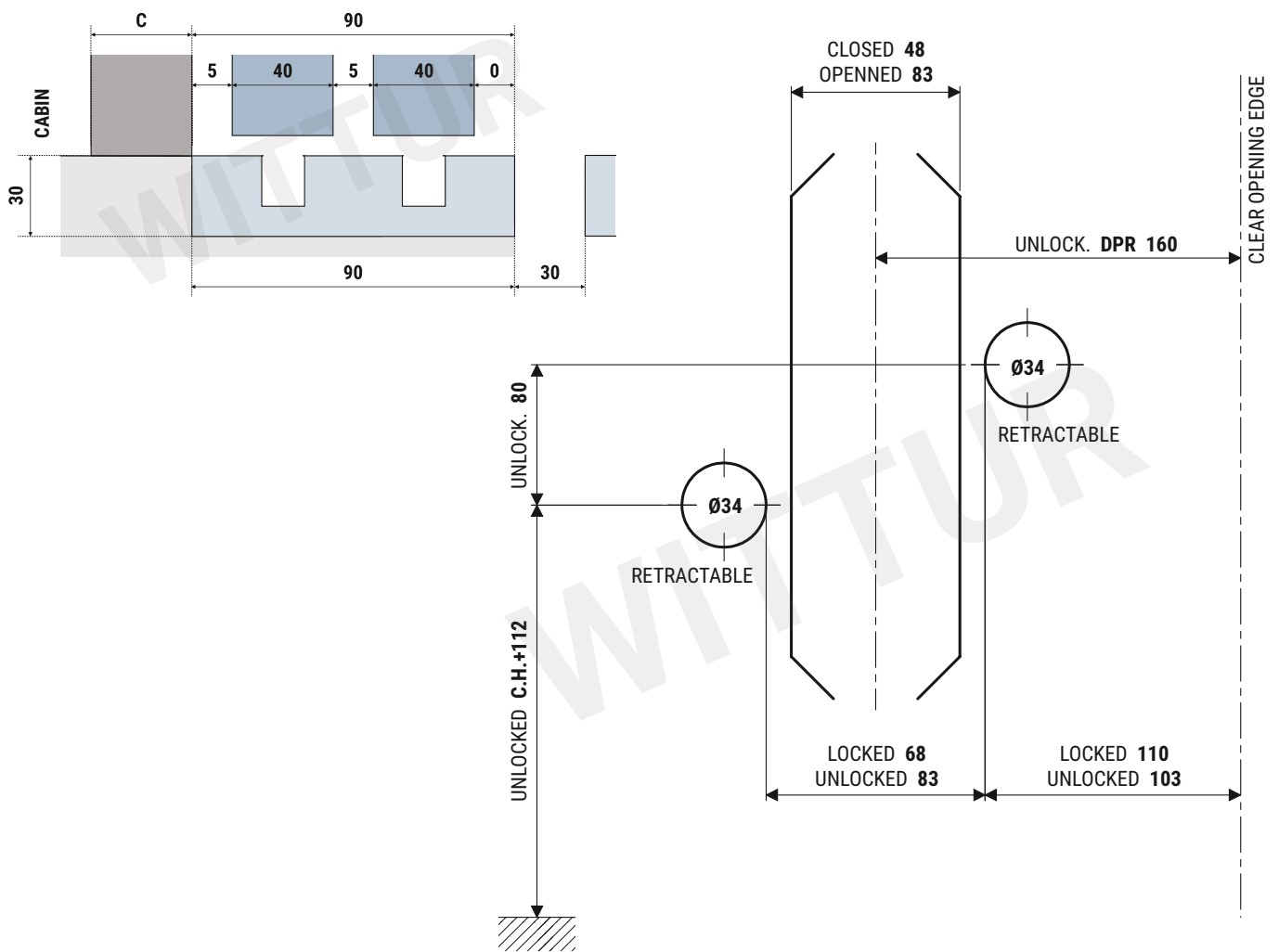
Informations : Any other reproduction in any form without Wittur permission is prohibited. Text and photos are non-contractual and are subject to change without notice.



40.10



40.10



Important : Check the measure and change if different. Coupler and lock are drawn from the floor.

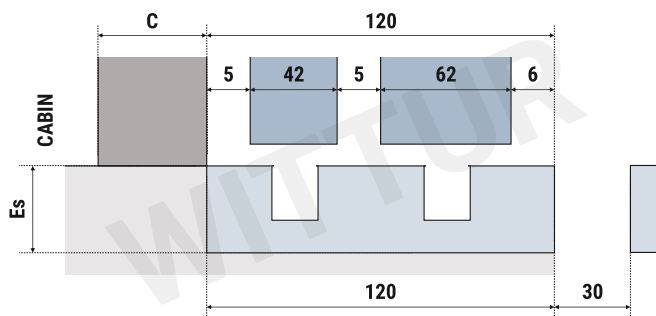
Informations : Any other reproduction in any form without Wittur permission is prohibited. Text and photos are non-contractual and are subject to change without notice.



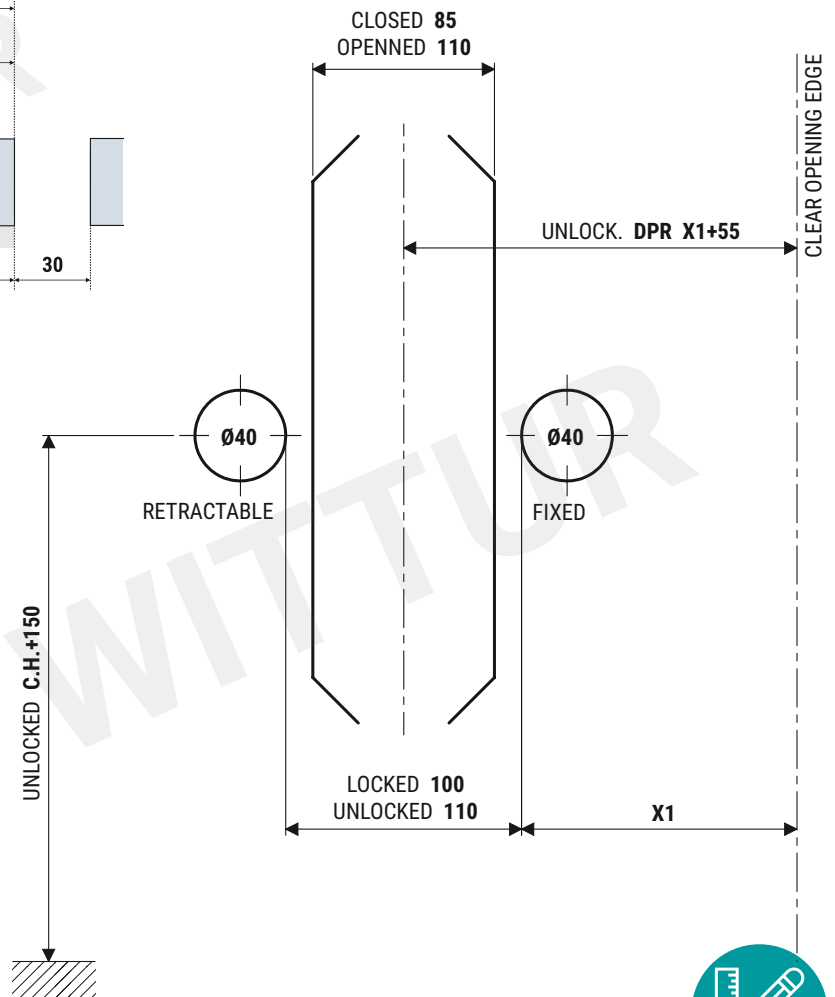


**EUROPA**

**ZIP**



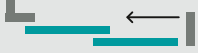
	X1
<input type="checkbox"/>	70
<input type="checkbox"/>	100
<input type="checkbox"/>	



Important : Check the measure and change if different. Coupler and lock are drawn from the floor.

Informations : Any other reproduction in any form without Wittur permission is prohibited. Text and photos are non-contractual and are subject to change without notice.



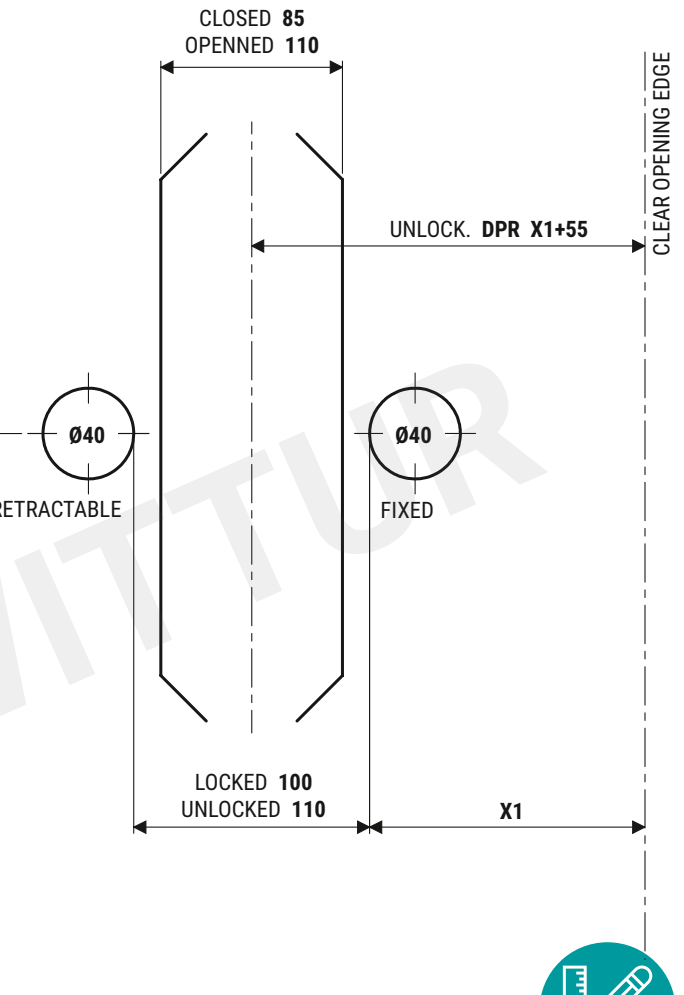
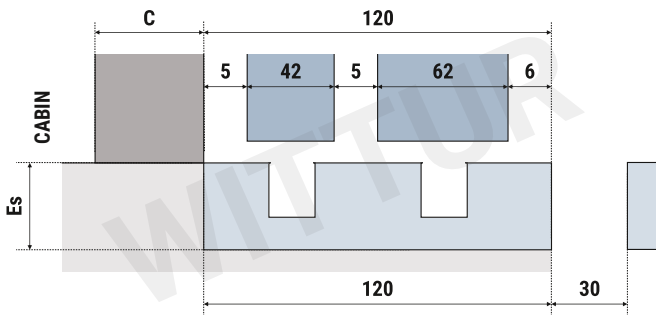


WeMOD  
**FORSID**  
 ID0052A



**ZIP**

**ZIP**



	X1
<input type="checkbox"/>	70
<input type="checkbox"/>	100
<input type="checkbox"/>	



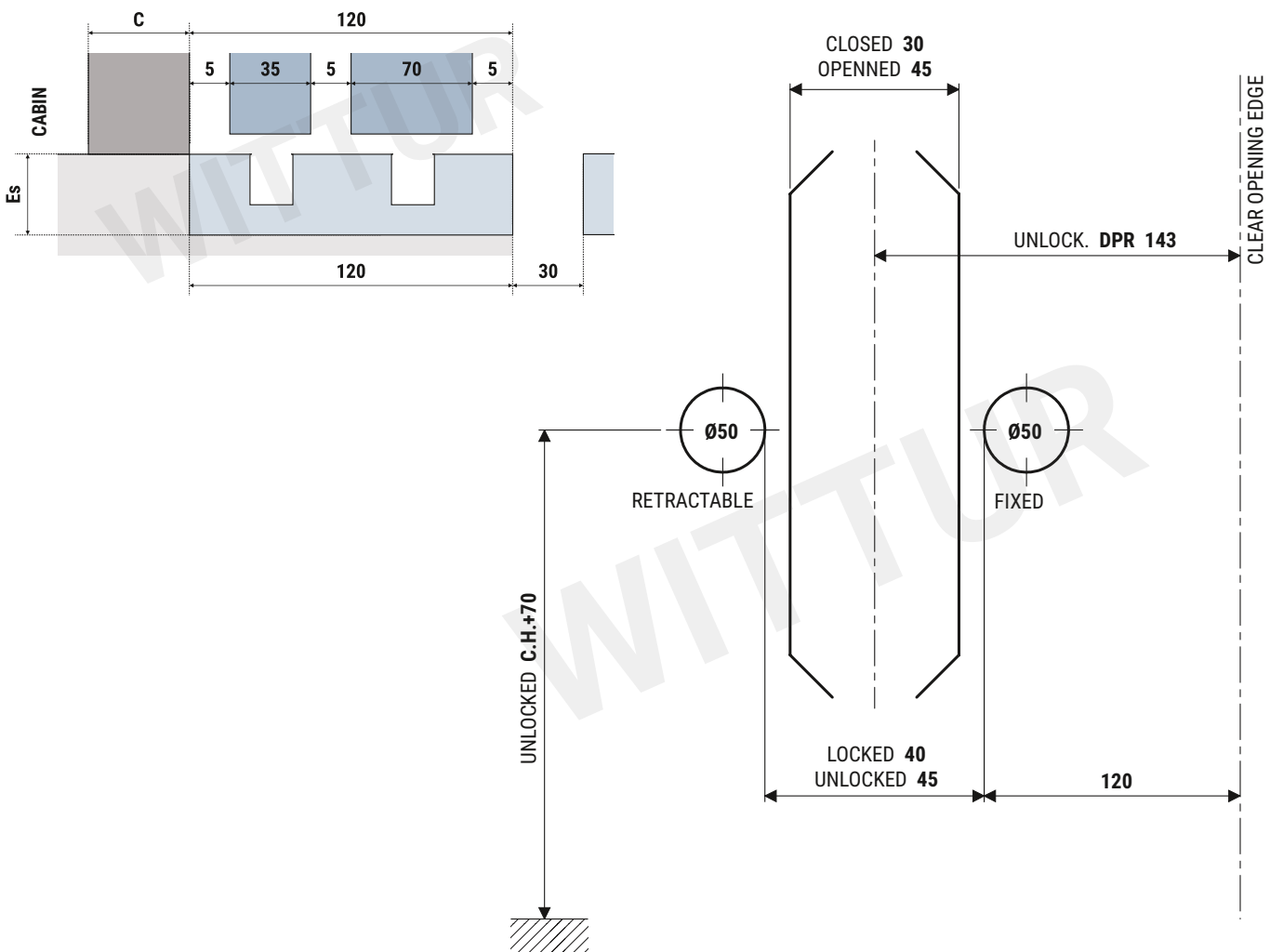
Important : Check the measure and change if different. Coupler and lock are drawn from the floor.

Informations : Any other reproduction in any form without Wittur permission is prohibited. Text and photos are non-contractual and are subject to change without notice.



E4A

1969



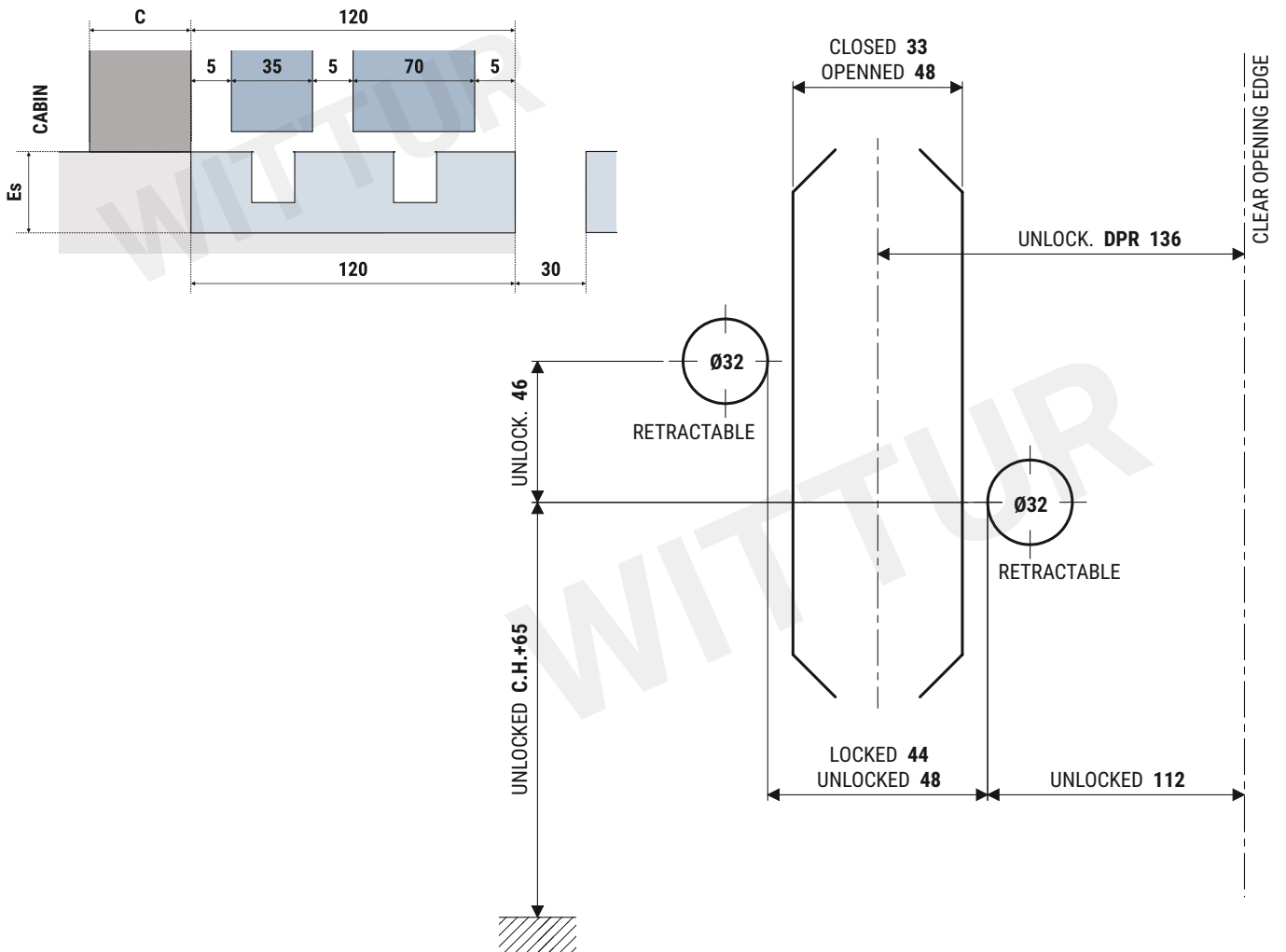
Important : Check the measure and change if different. Coupler and lock are drawn from the floor.

Informations : Any other reproduction in any form without Wittur permission is prohibited. Text and photos are non-contractual and are subject to change without notice.

### E4A



### PROKODIS SM90/97



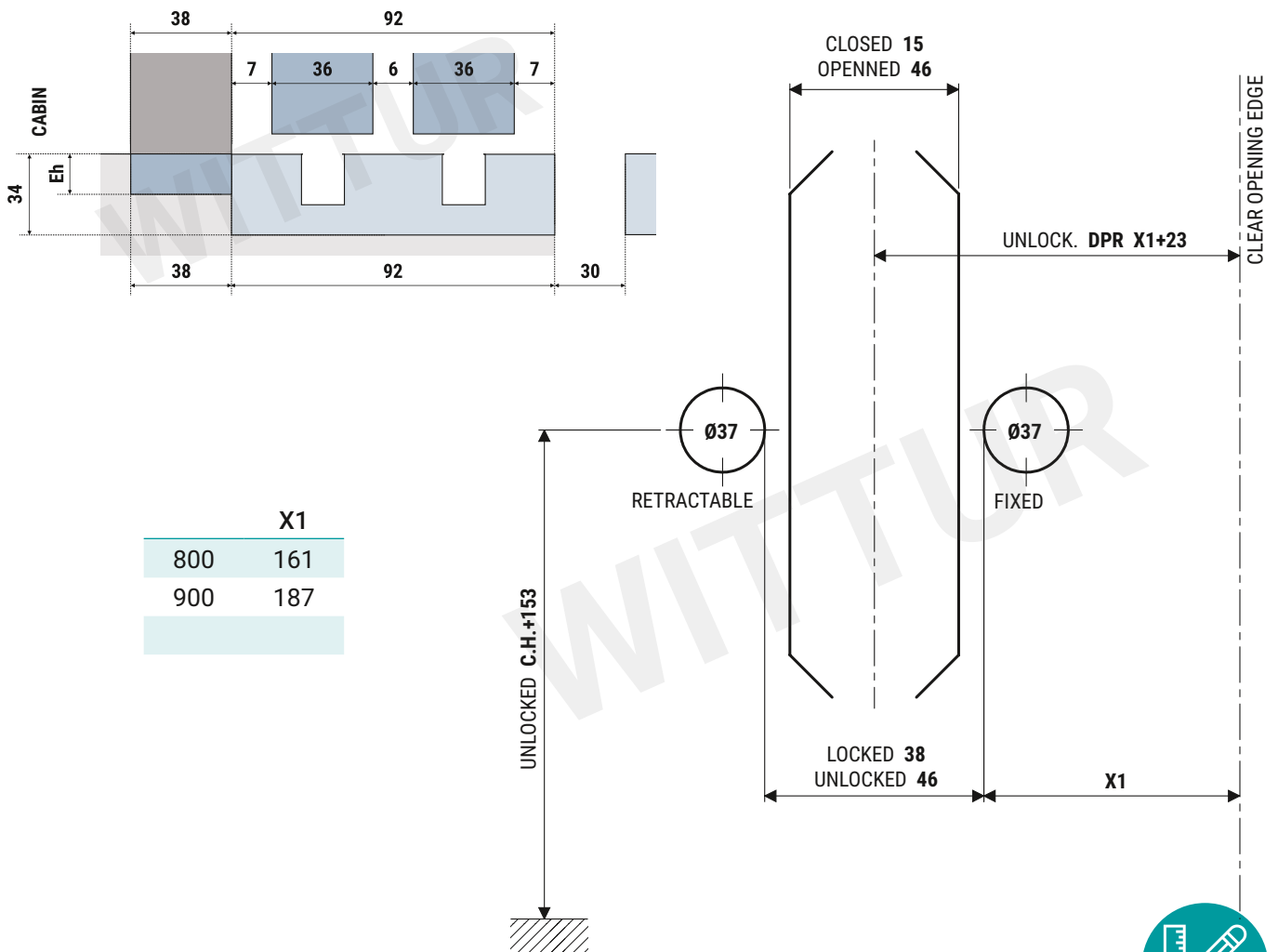
Important : Check the measure and change if different. Coupler and lock are drawn from the floor.

Informations : Any other reproduction in any form without Wittur permission is prohibited. Text and photos are non-contractual and are subject to change without notice.



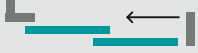
PRIMA 9550CC

PRIMA, PRIMA-S & TECHNA



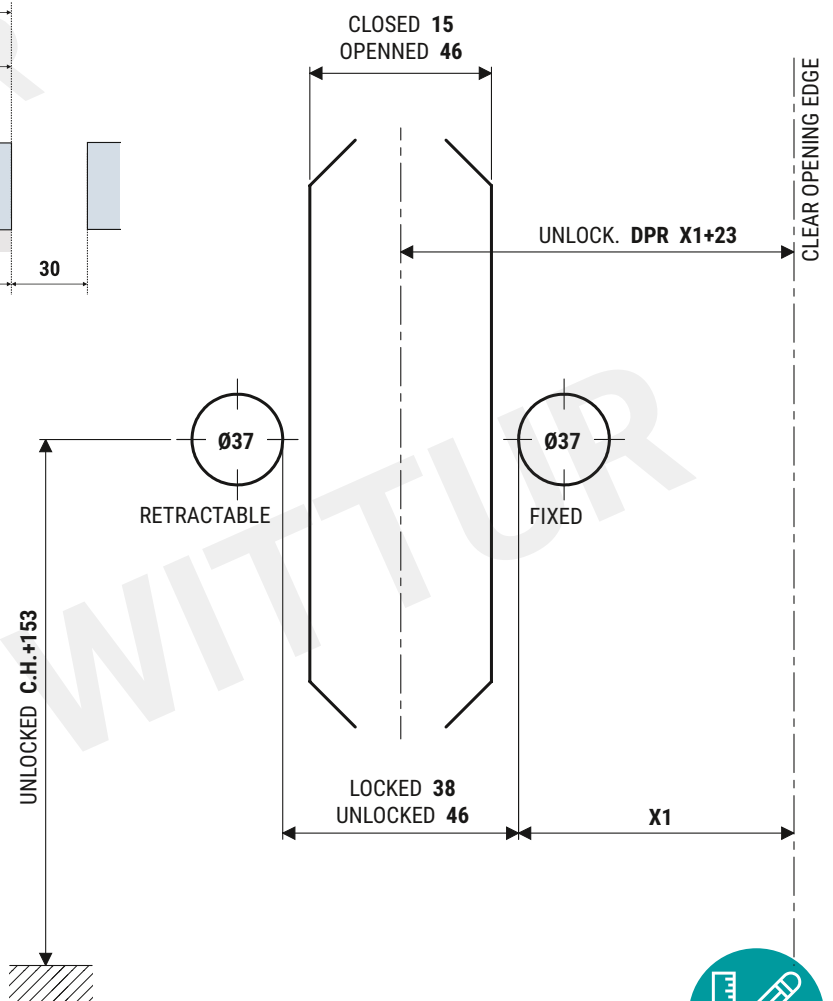
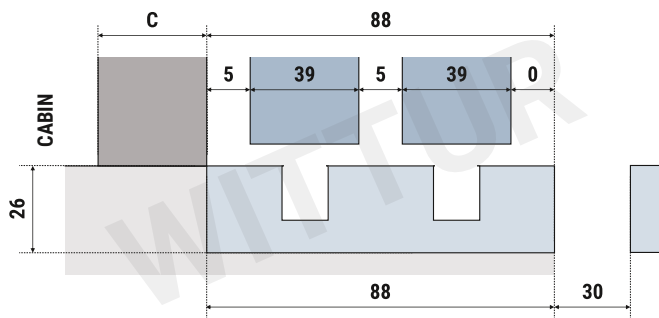
Important : Check the measure and change if different. Coupler and lock are drawn from the floor.

Informations : Any other reproduction in any form without Wittur permission is prohibited. Text and photos are non-contractual and are subject to change without notice.



**TECHNA**

**PRIMA, PRIMA-S & TECHNA**



	X1
800	161
900	187
1000	212
1100	238
1200	263
1300	289



Important : Check the measure and change if different. Coupler and lock are drawn from the floor.

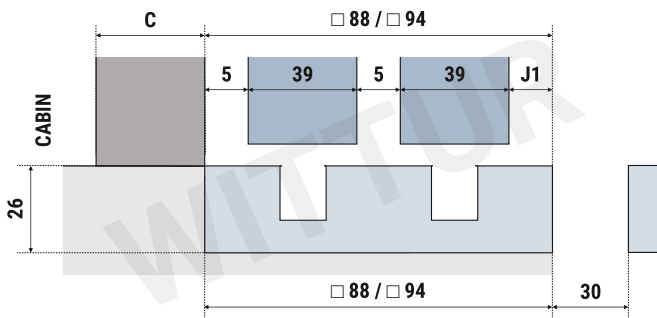
Informations : Any other reproduction in any form without Wittur permission is prohibited. Text and photos are non-contractual and are subject to change without notice.



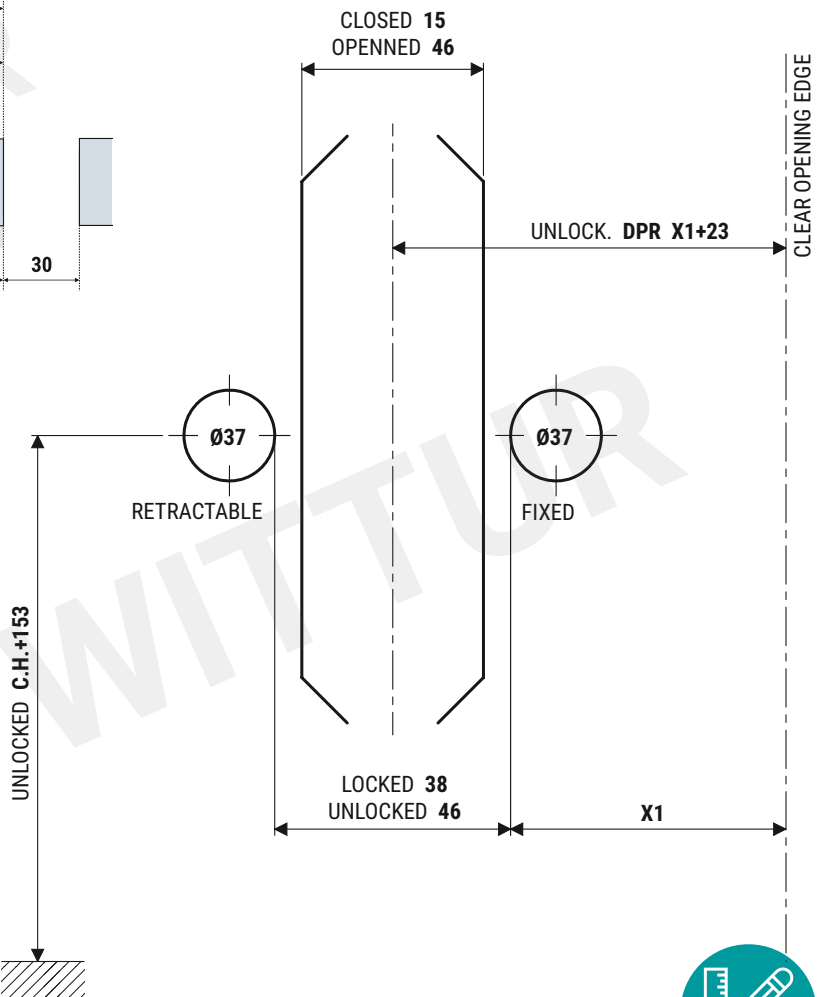
PAX



PRIMA, PRIMA-S



	X1
800	161
900	187



Important : Check the measure and change if different. Coupler and lock are drawn from the floor.

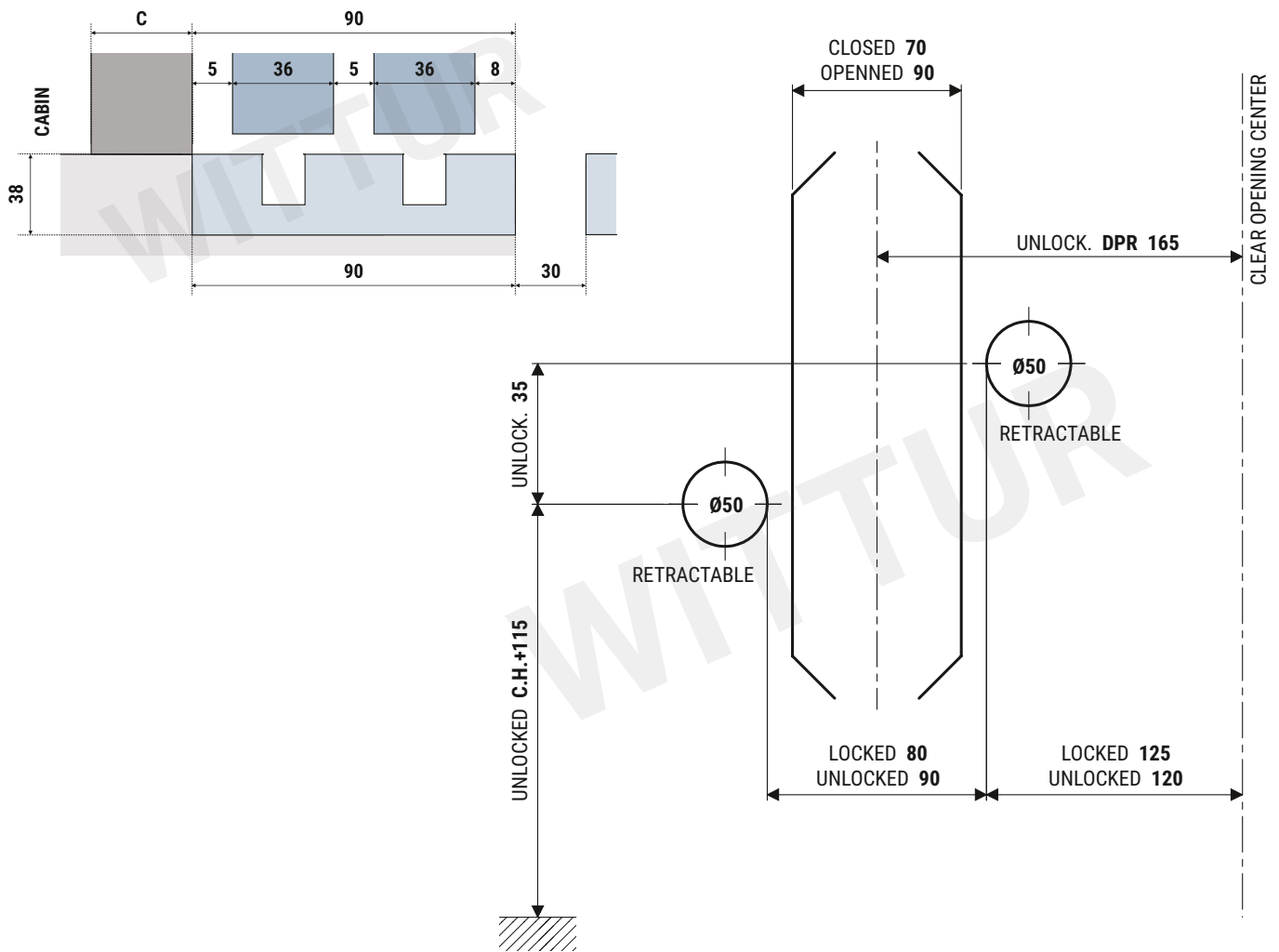
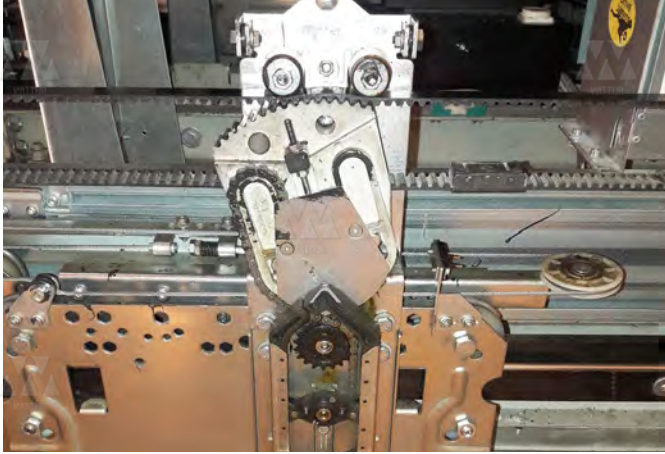
Informations : Any other reproduction in any form without Wittur permission is prohibited. Text and photos are non-contractual and are subject to change without notice.



WeMOD  
**PRISMA**  
ID0108A



**LINEAR D.O.S**



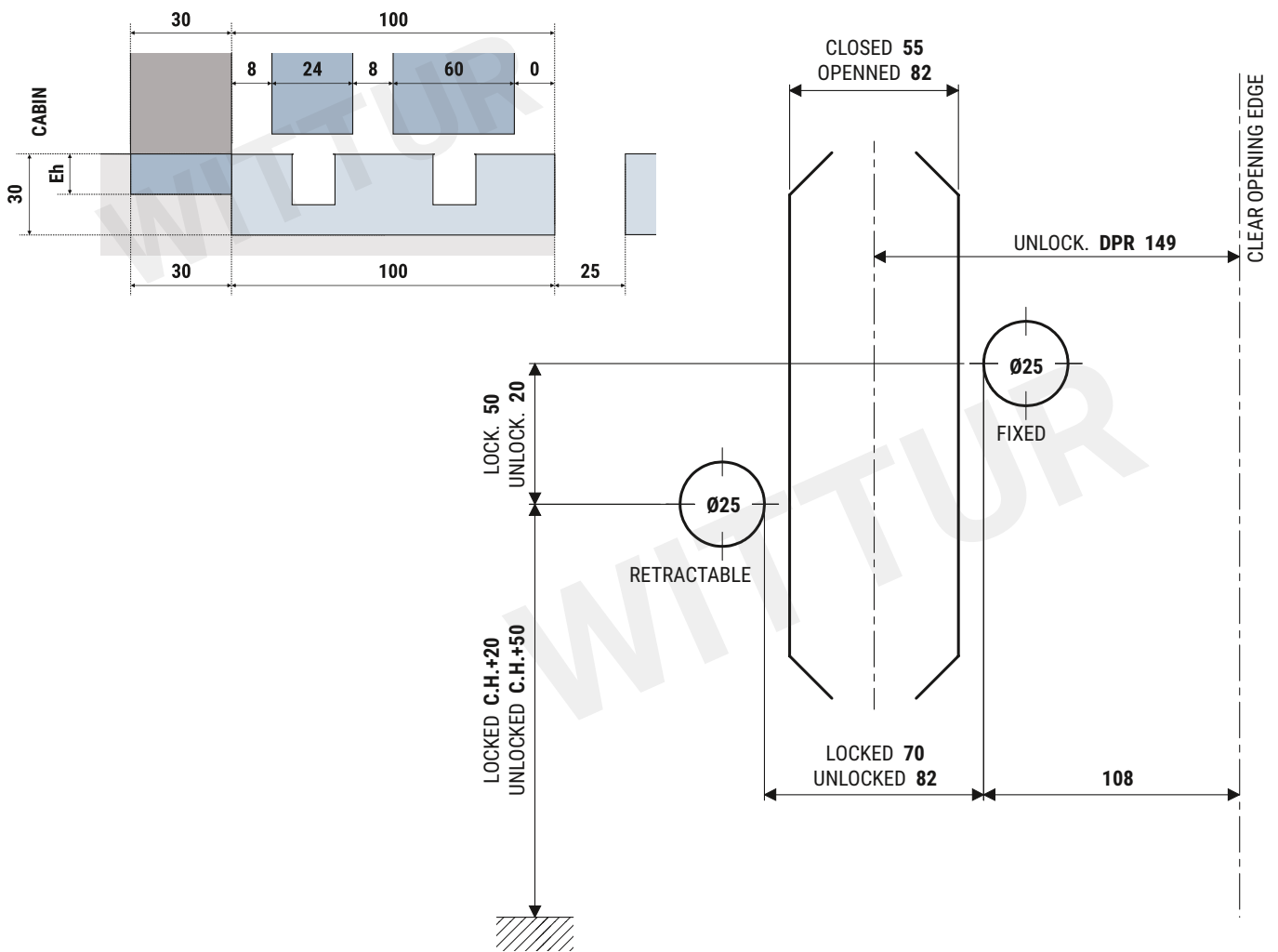
Important : Check the measure and change if different. Coupler and lock are drawn from the floor.

Informations : Any other reproduction in any form without Wittur permission is prohibited. Text and photos are non-contractual and are subject to change without notice.



**QKS8**

**T82 & T812 (T83)**



Important : Check the measure and change if different. Coupler and lock are drawn from the floor.

Informations : Any other reproduction in any form without Wittur permission is prohibited. Text and photos are non-contractual and are subject to change without notice.

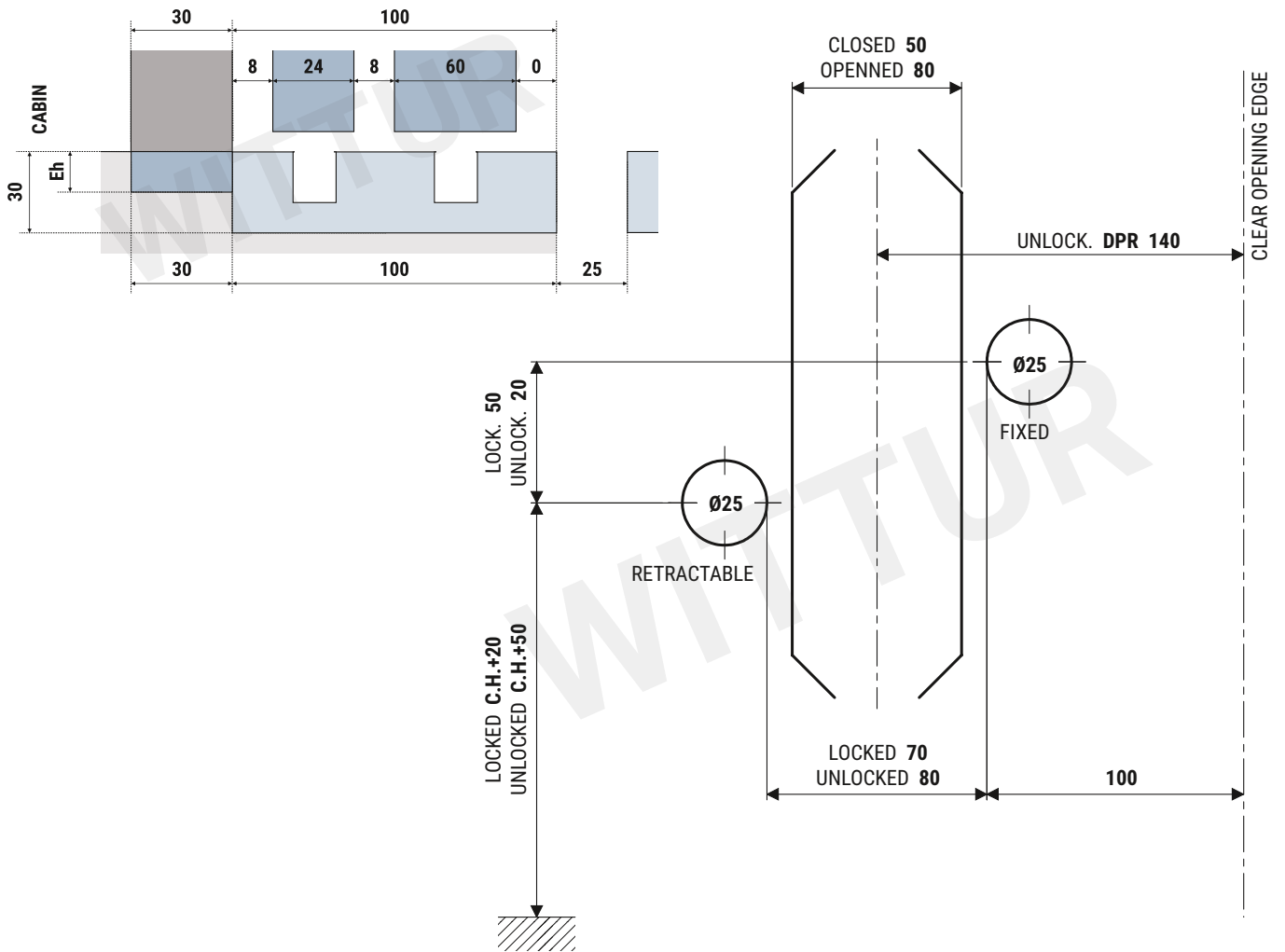




### QKS8T



### T82 & T11



Important : Check the measure and change if different. Coupler and lock are drawn from the floor.

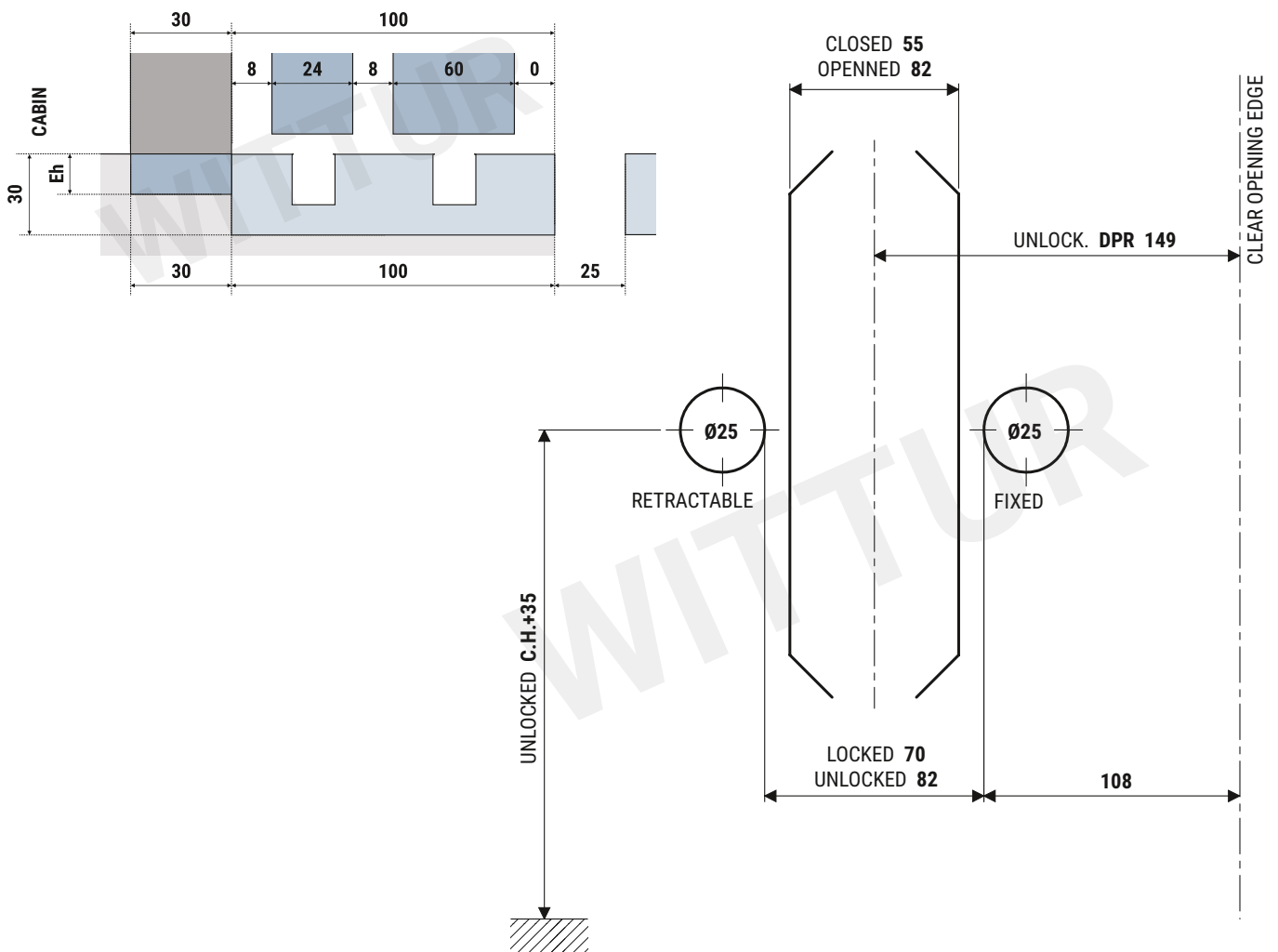
Informations : Any other reproduction in any form without Wittur permission is prohibited. Text and photos are non-contractual and are subject to change without notice.



**QKS8**



**CT72 & CT74**



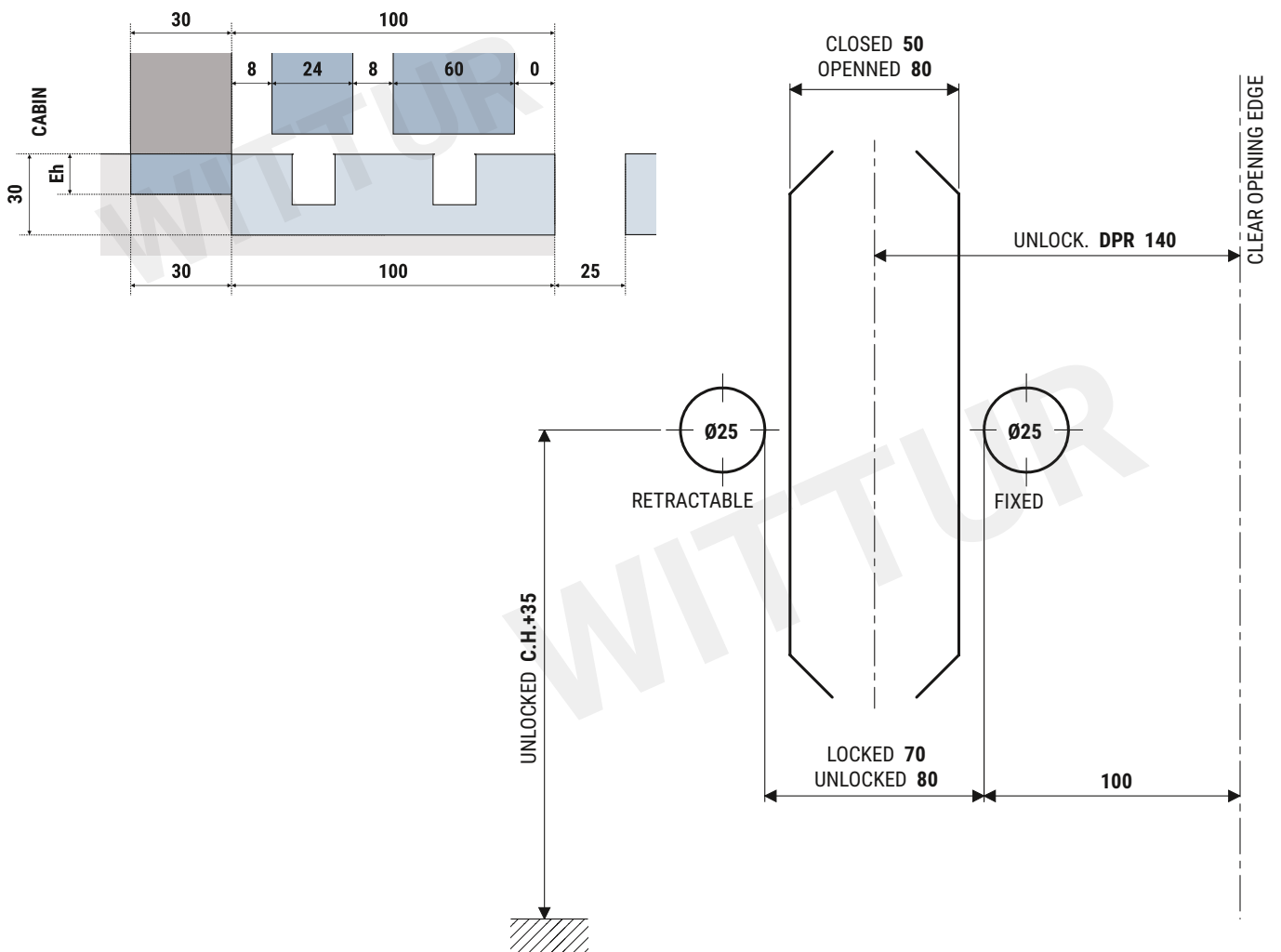
Important : Check the measure and change if different. Coupler and lock are drawn from the floor.

Informations : Any other reproduction in any form without Wittur permission is prohibited. Text and photos are non-contractual and are subject to change without notice.



### QKS8T

### QKS8T



Important : Check the measure and change if different. Coupler and lock are drawn from the floor.

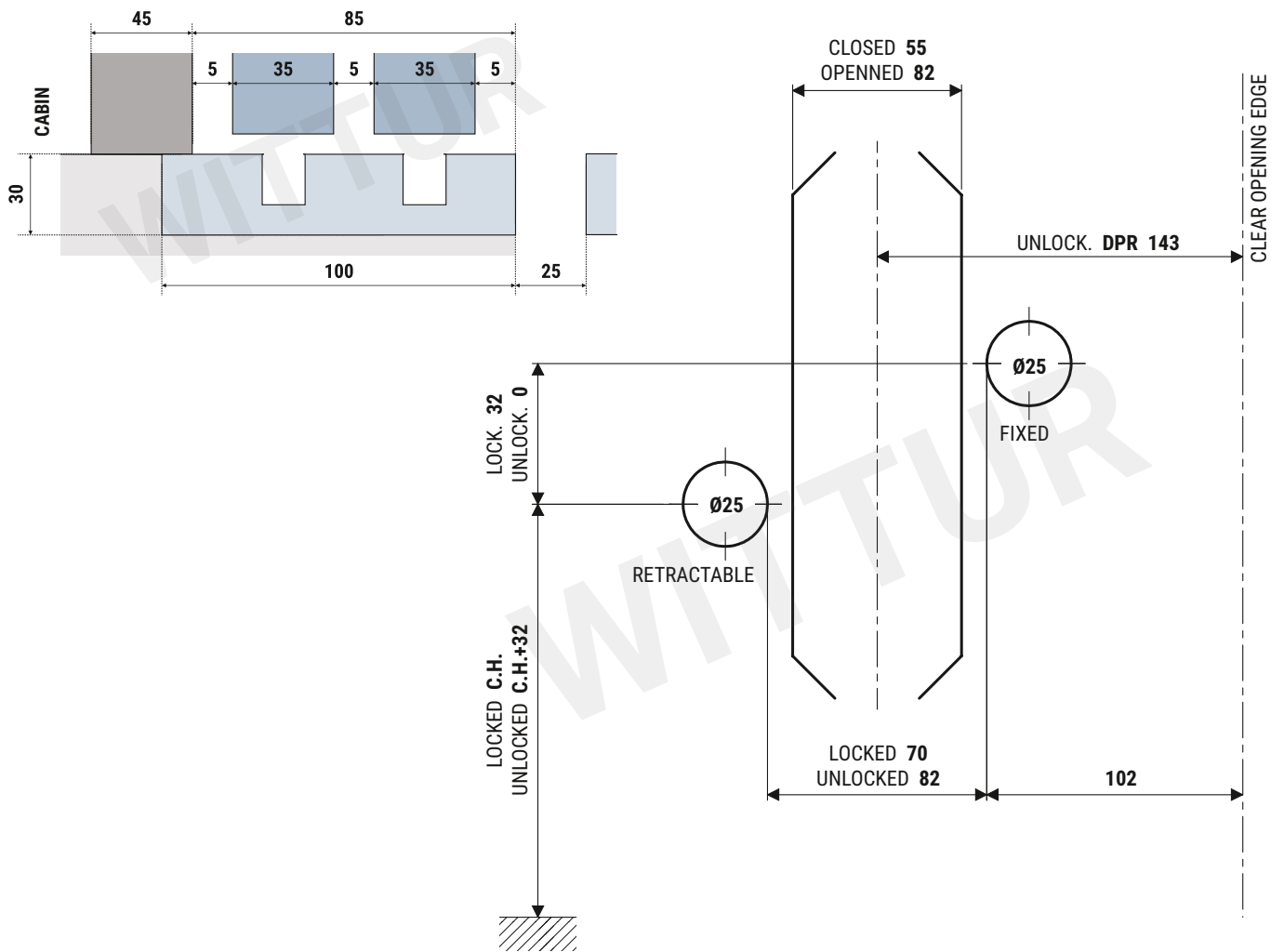
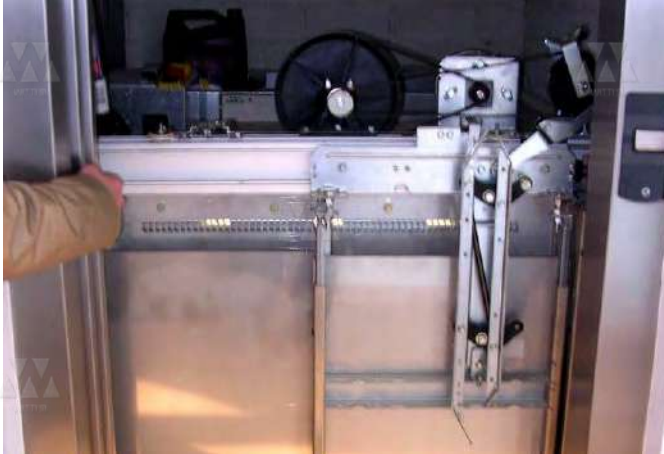
Informations : Any other reproduction in any form without Wittur permission is prohibited. Text and photos are non-contractual and are subject to change without notice.





### VARIDOR 10

### T11



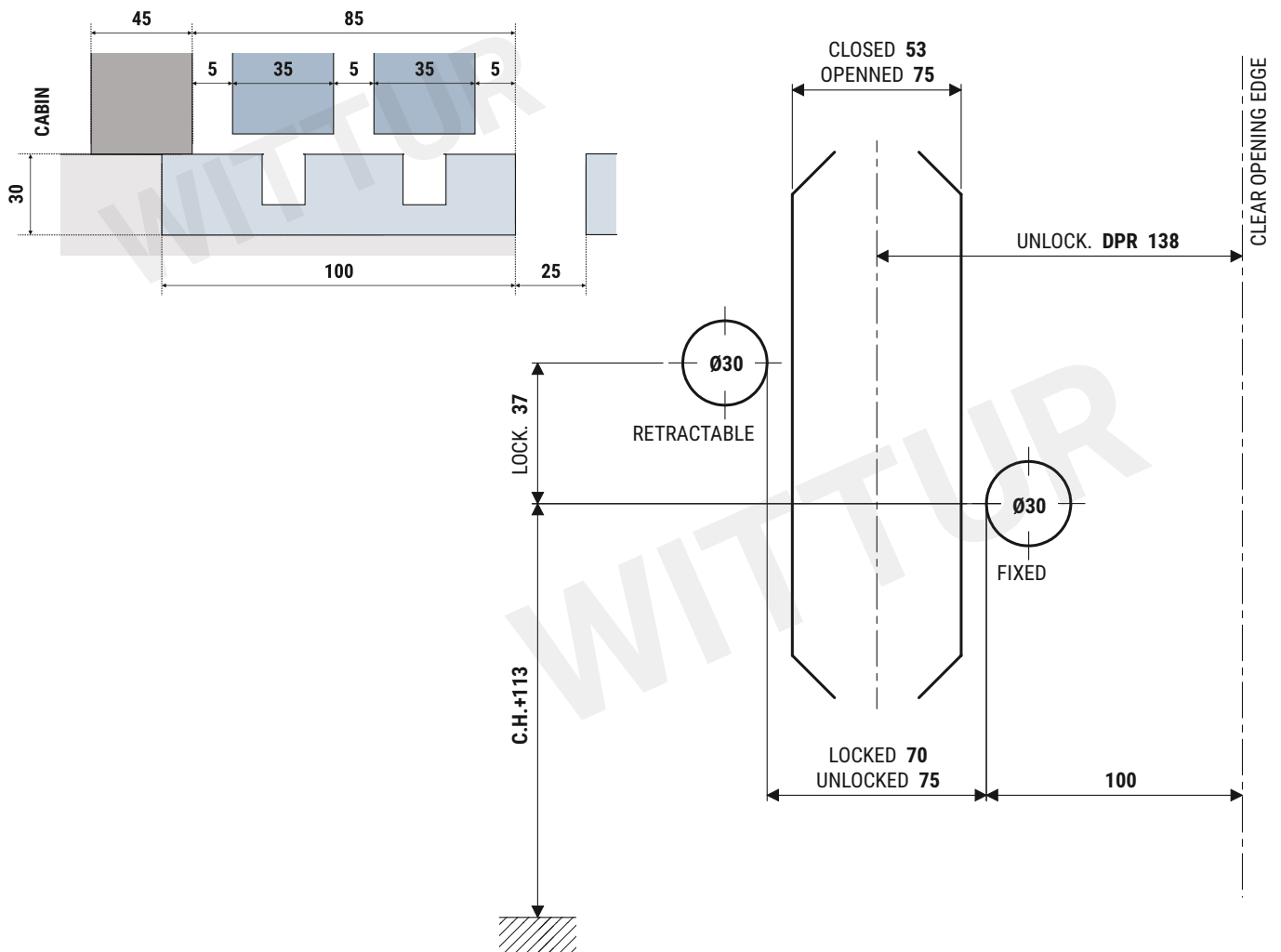
Important : Check the measure and change if different. Coupler and lock are drawn from the floor.

Informations : Any other reproduction in any form without Wittur permission is prohibited. Text and photos are non-contractual and are subject to change without notice.



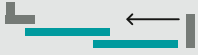
**VARIDOR 30**

**VARILOCK 071**



Important : Check the measure and change if different. Coupler and lock are drawn from the floor.

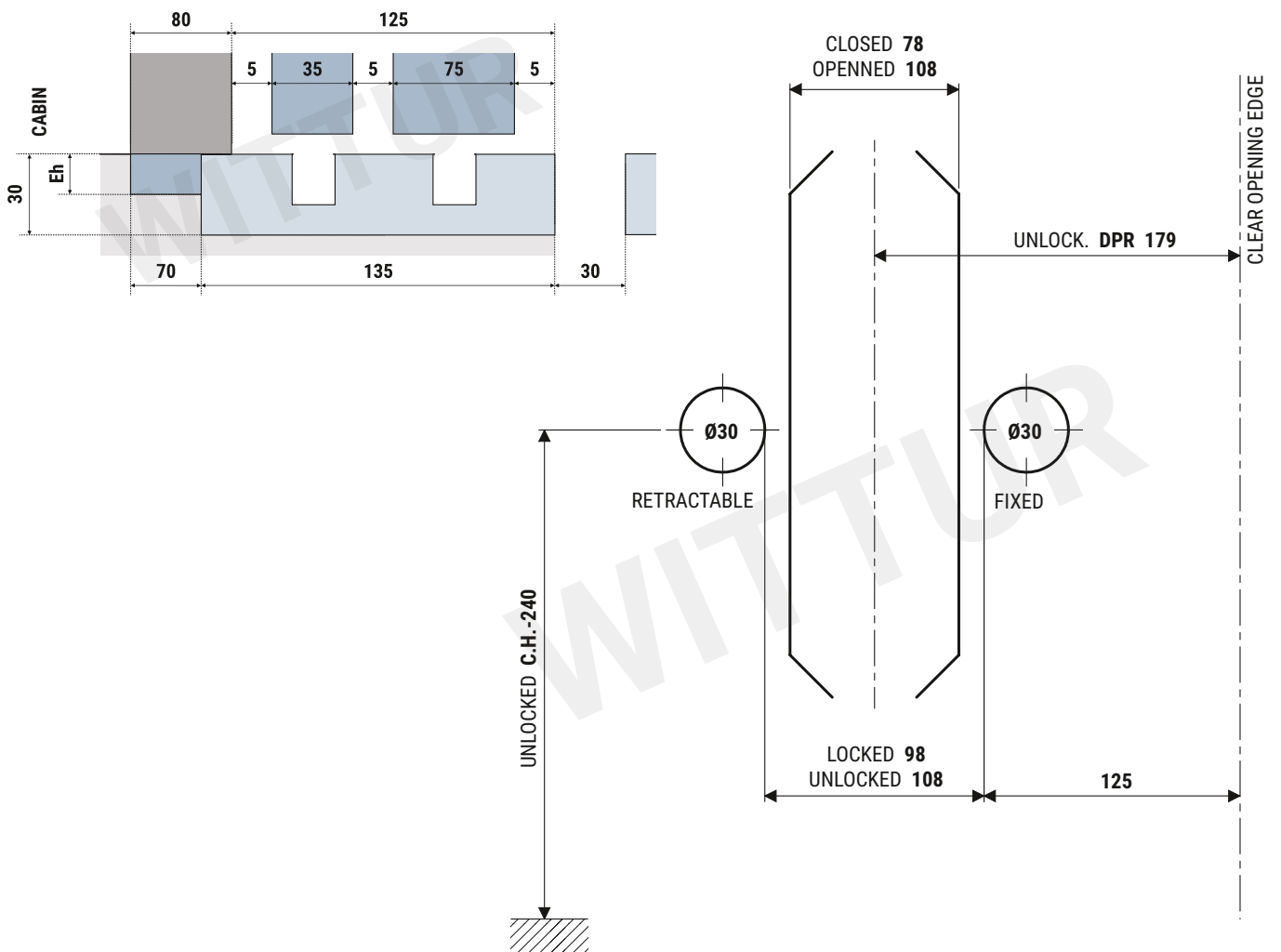
Informations : Any other reproduction in any form without Wittur permission is prohibited. Text and photos are non-contractual and are subject to change without notice.



### QKS9



### QKS9T & C9



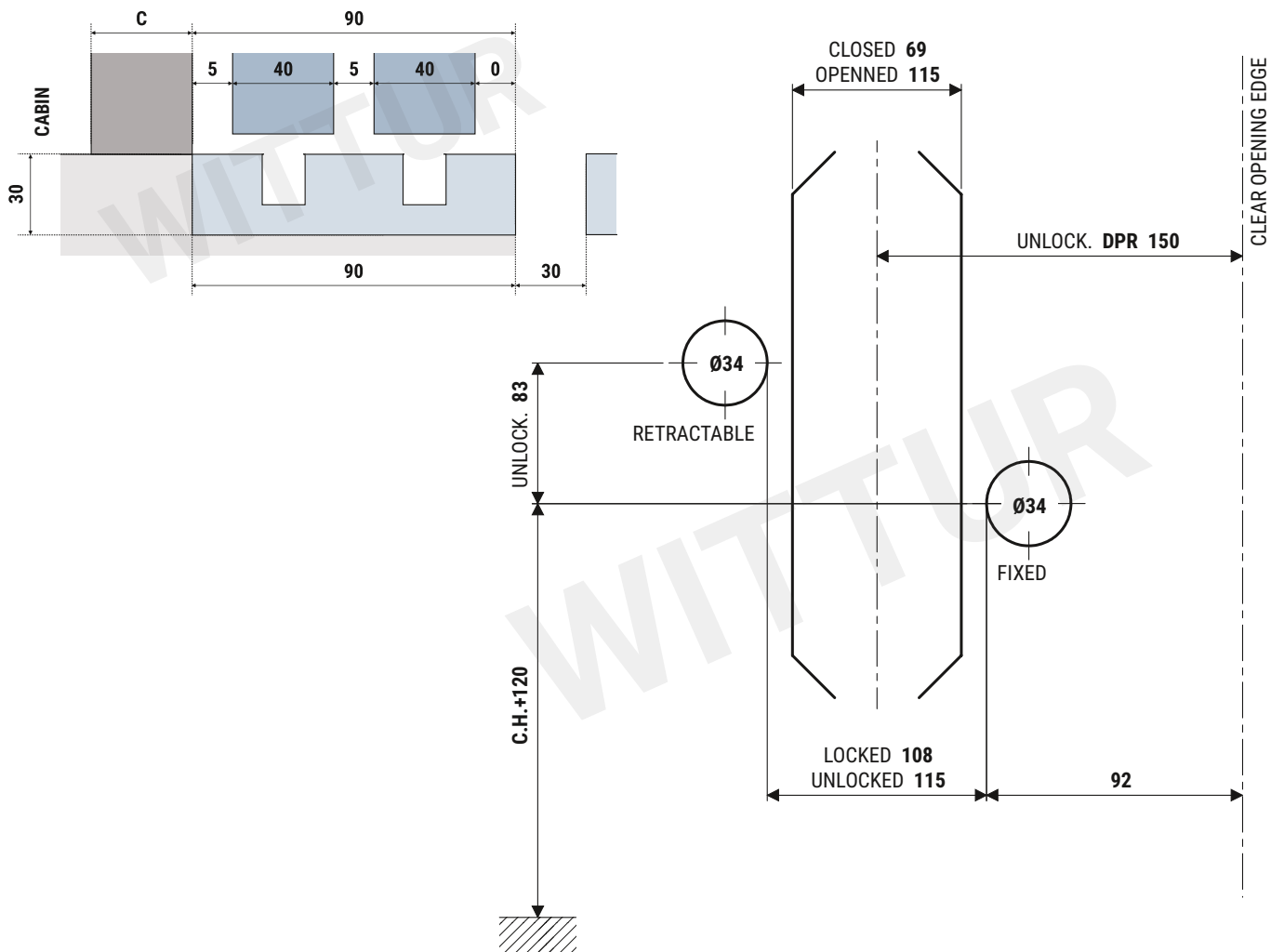
Important : Check the measure and change if different. Coupler and lock are drawn from the floor.

Informations : Any other reproduction in any form without Wittur permission is prohibited. Text and photos are non-contractual and are subject to change without notice.



2000 B

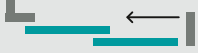
2000 B



Important : Check the measure and change if different. Coupler and lock are drawn from the floor.

Informations : Any other reproduction in any form without Wittur permission is prohibited. Text and photos are non-contractual and are subject to change without notice.



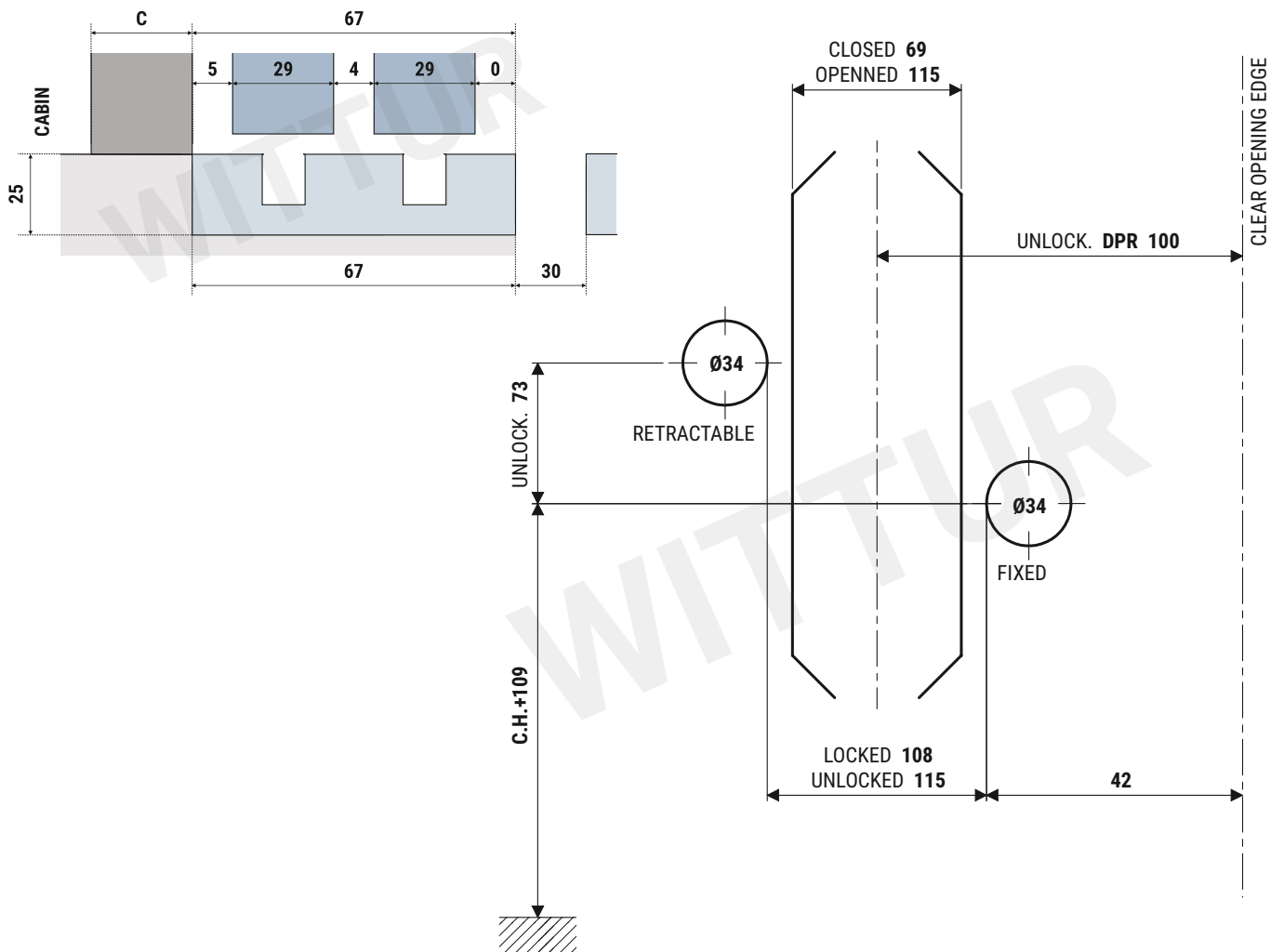
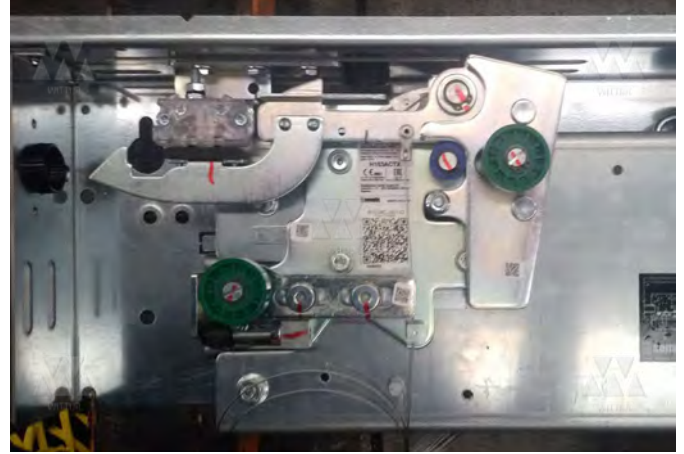


WeMOD  
**SEMATIC**  
ID0054A



2000 C-MOD

2000 C-MOD



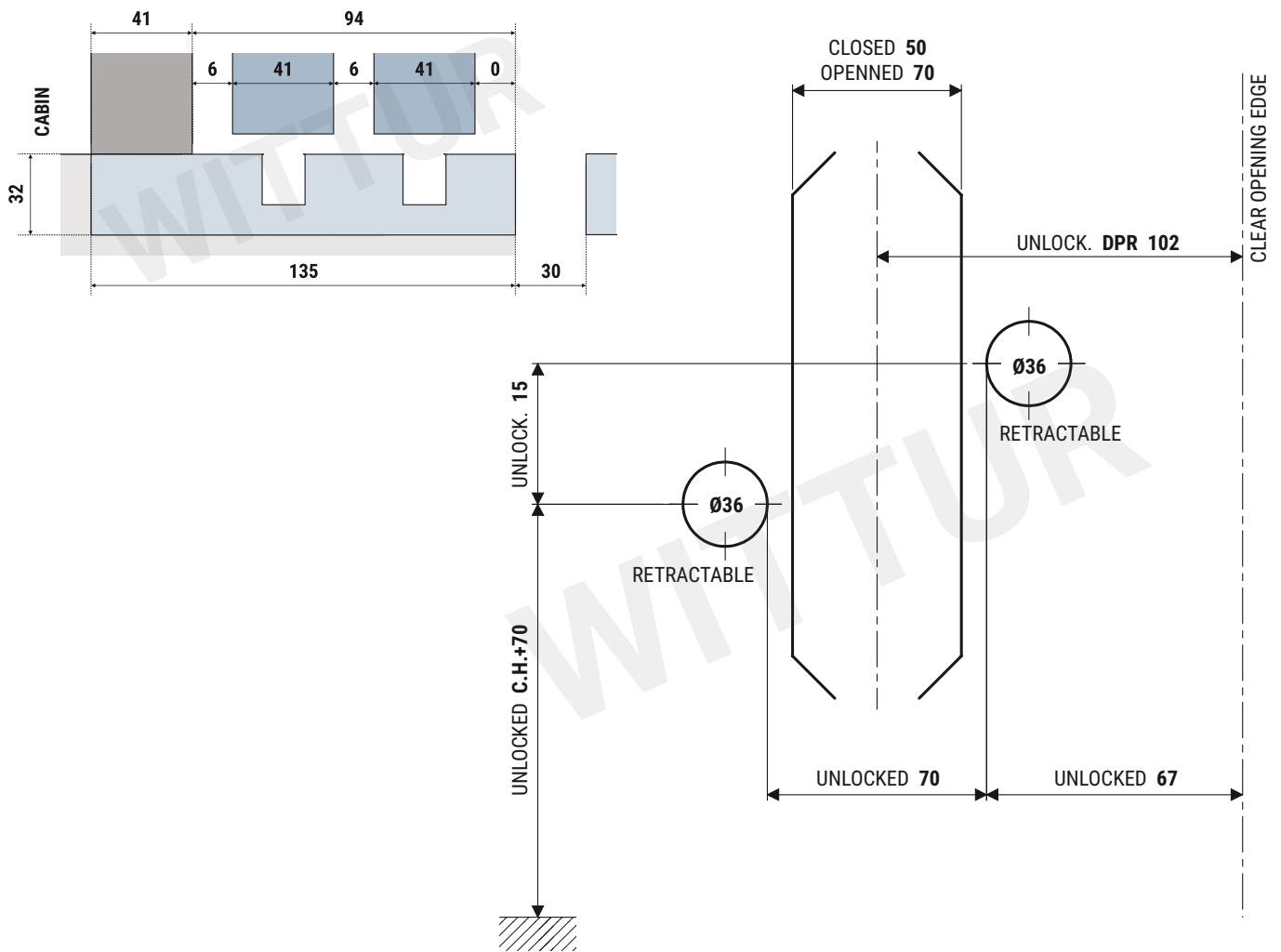
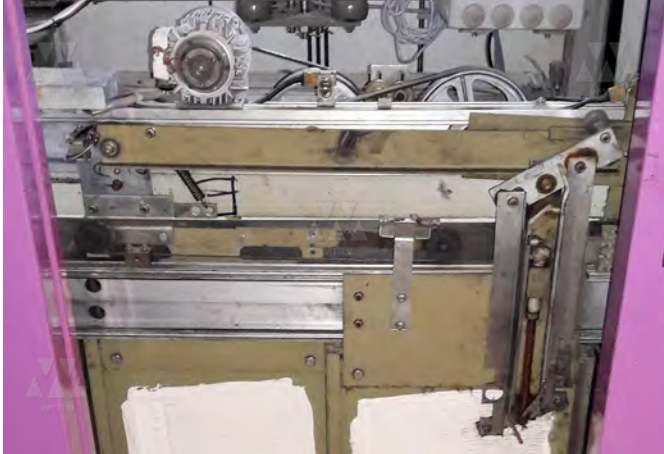
Important : Check the measure and change if different. Coupler and lock are drawn from the floor.

Informations : Any other reproduction in any form without Wittur permission is prohibited. Text and photos are non-contractual and are subject to change without notice.



**ECOSIL**

**ECOSIL**



Important : Check the measure and change if different. Coupler and lock are drawn from the floor.

Informations : Any other reproduction in any form without Wittur permission is prohibited. Text and photos are non-contractual and are subject to change without notice.

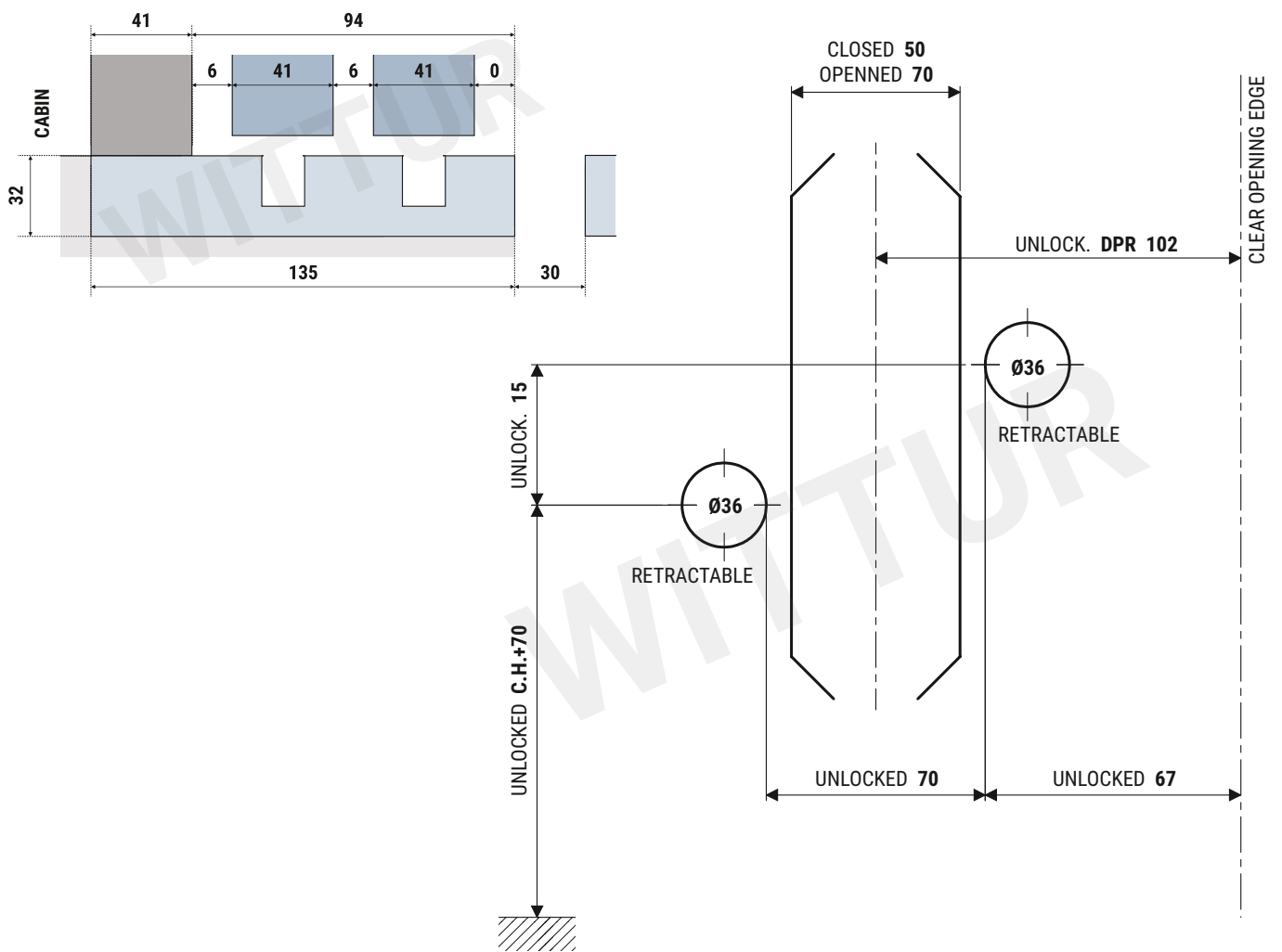


WeM<sup>+</sup>OD  
**SLYCMA**  
ID0041A



**DYN**

**ECOSIL**



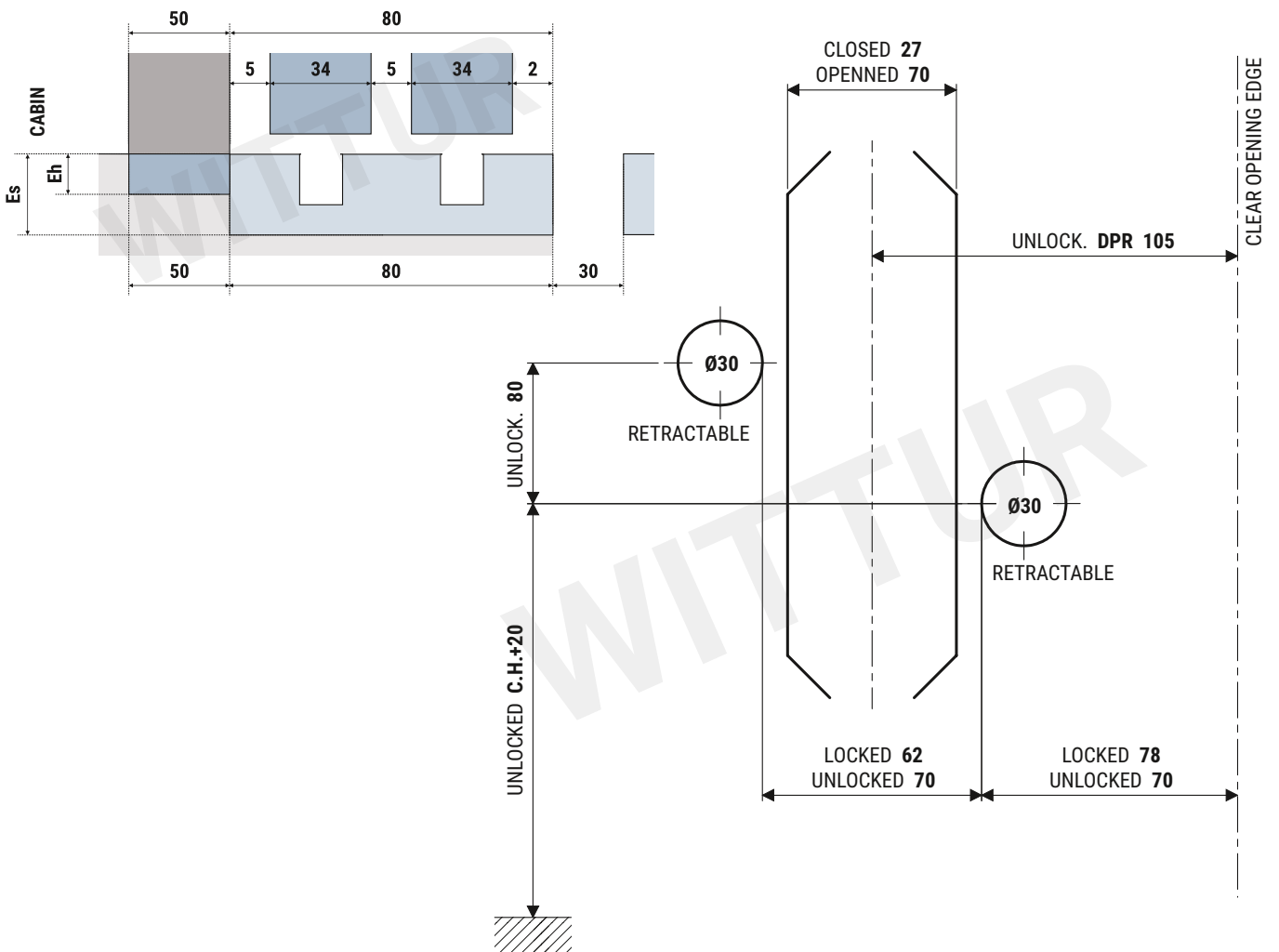
Important : Check the measure and change if different. Coupler and lock are drawn from the floor.

Informations : Any other reproduction in any form without Wittur permission is prohibited. Text and photos are non-contractual and are subject to change without notice.



**M2TD11 - RT300/RT301**

**M2TS11 / M2ZS11**



Important : Check the measure and change if different. Coupler and lock are drawn from the floor.

Informations : Any other reproduction in any form without Wittur permission is prohibited. Text and photos are non-contractual and are subject to change without notice.



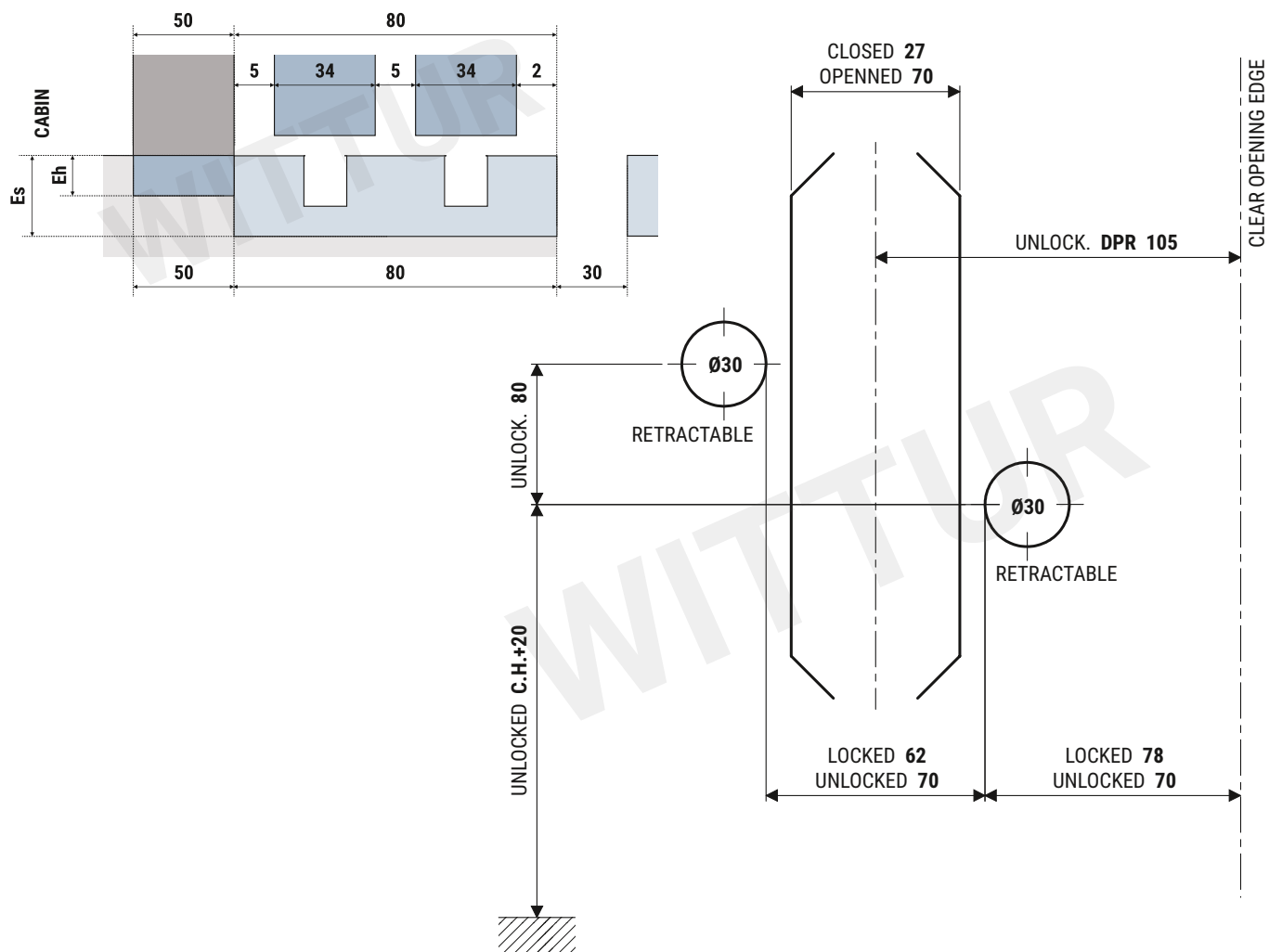
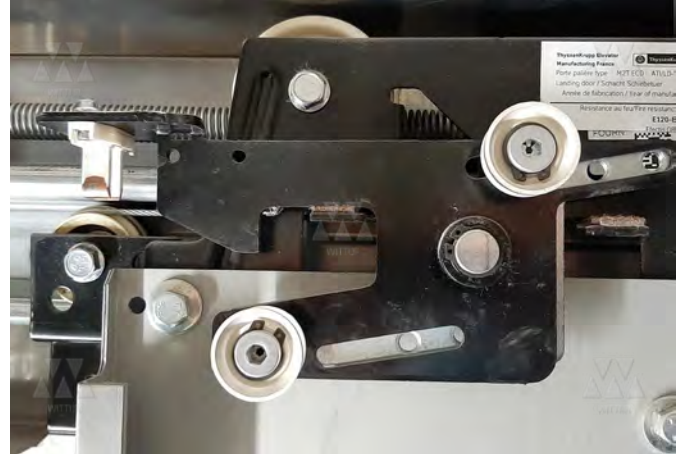
WeMOD  
**THYSSEN**  
ID0100A



**M2TD11 - VF21/VF400**



**M2T ECD**



Important : Check the measure and change if different. Coupler and lock are drawn from the floor.

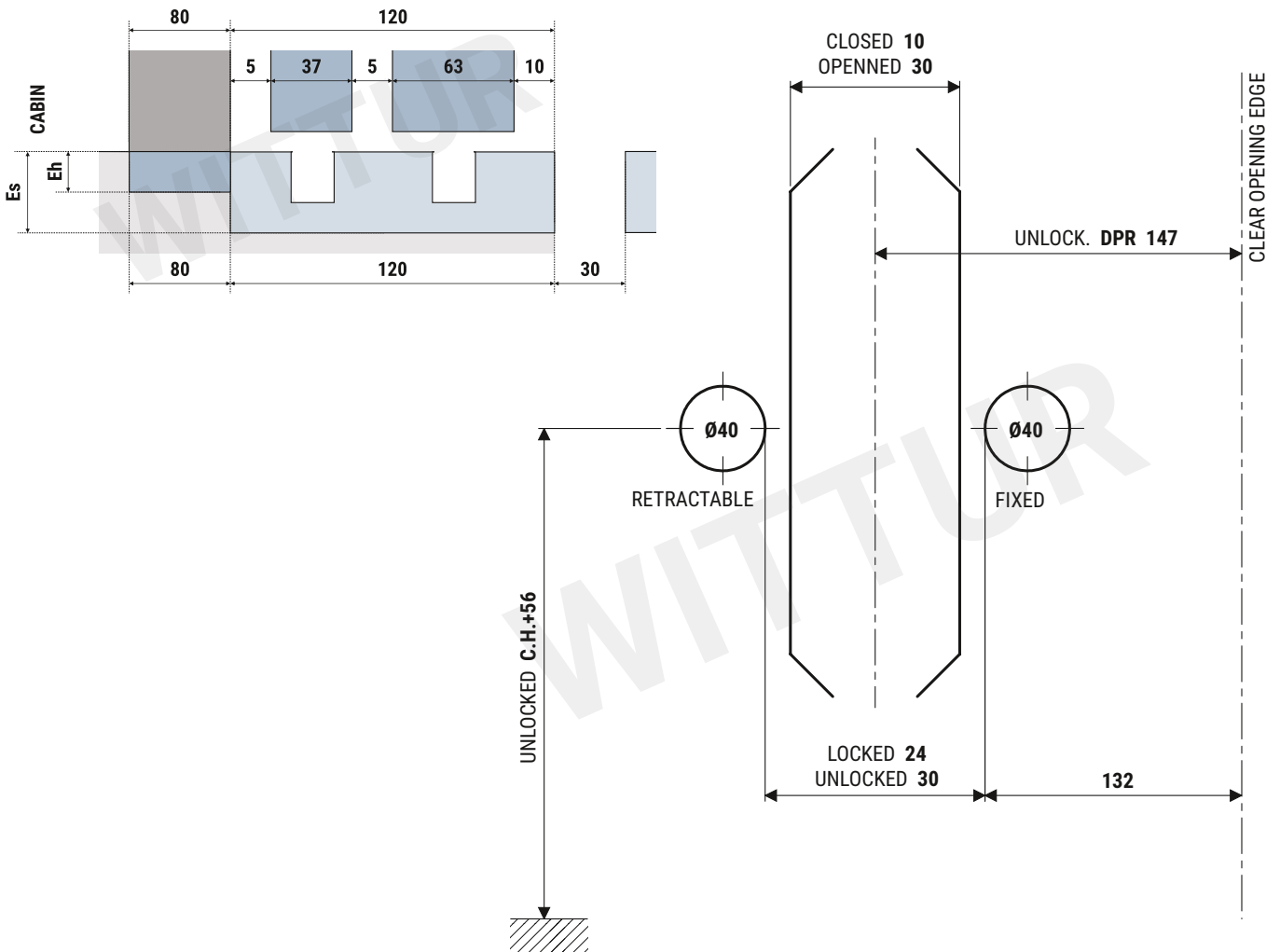
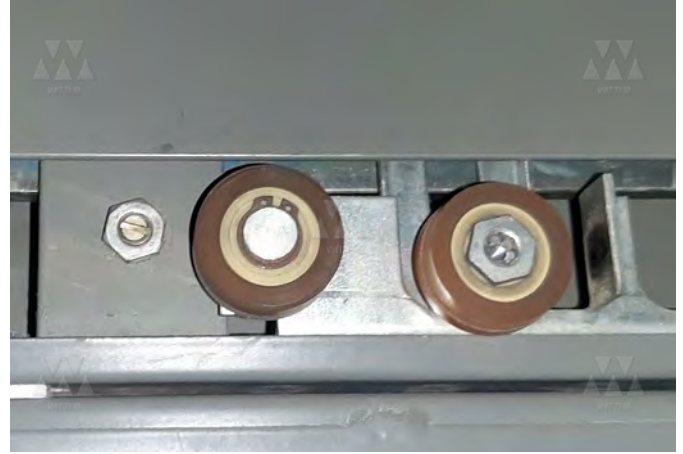
Informations : Any other reproduction in any form without Wittur permission is prohibited. Text and photos are non-contractual and are subject to change without notice.



**M2TD2**



**M2TS2**



Important : Check the measure and change if different. Coupler and lock are drawn from the floor.

Informations : Any other reproduction in any form without Wittur permission is prohibited. Text and photos are non-contractual and are subject to change without notice.



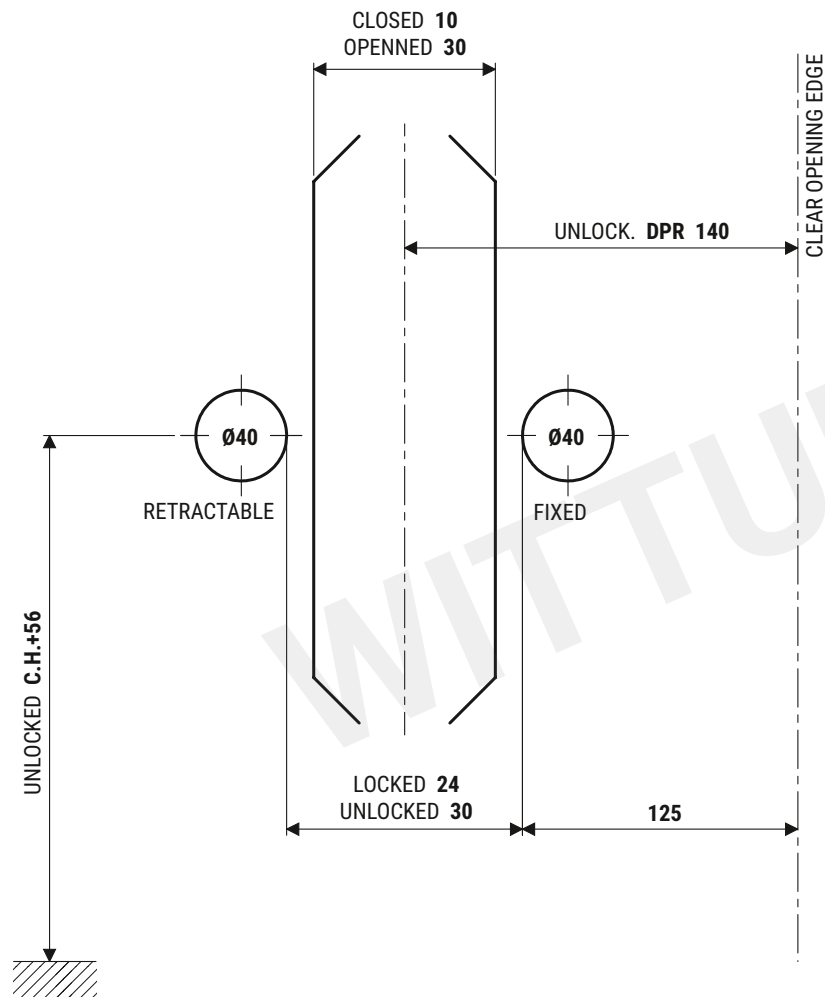
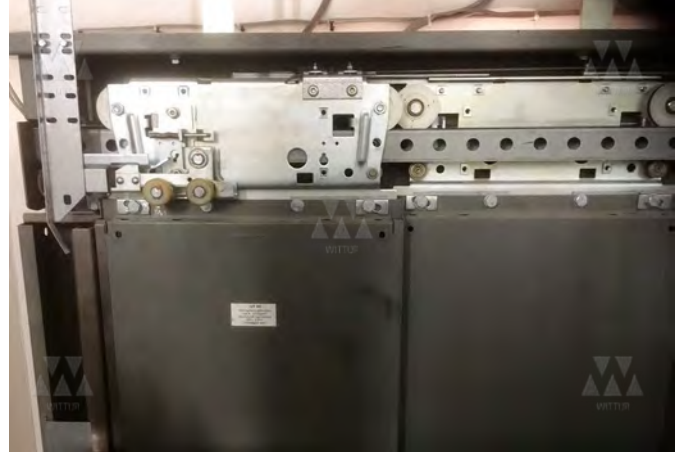
WeM $\oplus$ D  
**THYSSEN**  
**ID0149A**



**M2TK8**



**M2TS8 A**

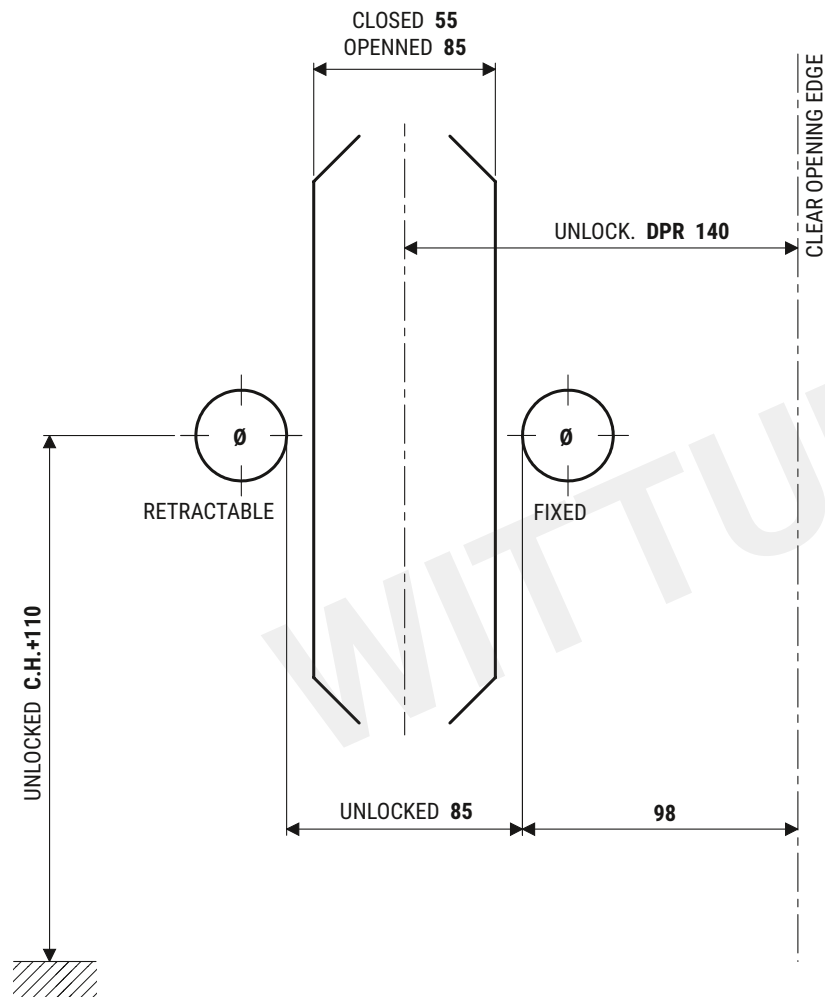


Important : Check the measure and change if different. Coupler and lock are drawn from the floor.

Informations : Any other reproduction in any form without Wittur permission is prohibited. Text and photos are non-contractual and are subject to change without notice.



**CENIA AT-84**



Important : Check the measure and change if different. Coupler and lock are drawn from the floor.

Informations : Any other reproduction in any form without Wittur permission is prohibited. Text and photos are non-contractual and are subject to change without notice.



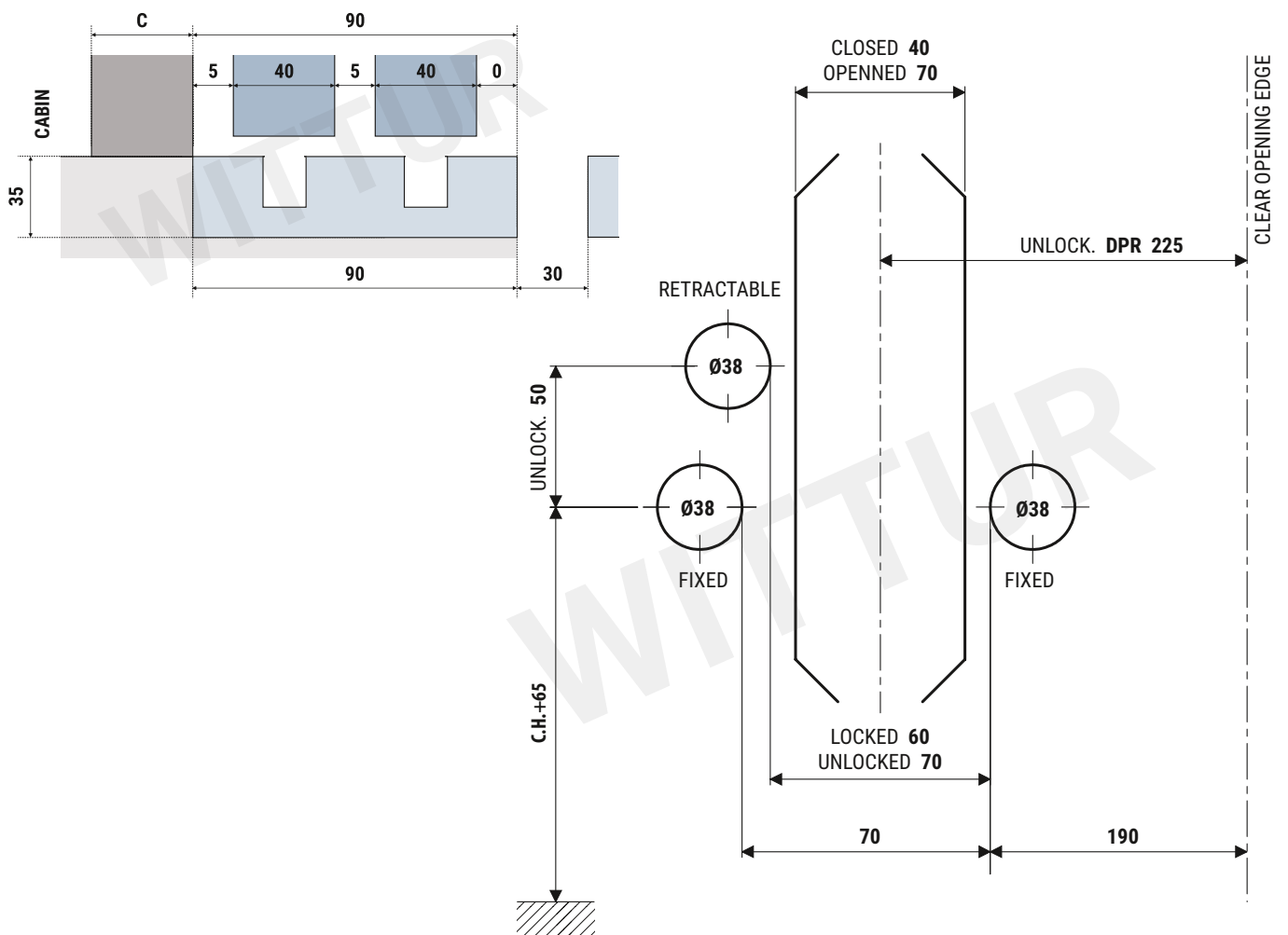


WeM<sup>+</sup>D  
**AUTUR**  
ID0071A



**OV**

**MR**



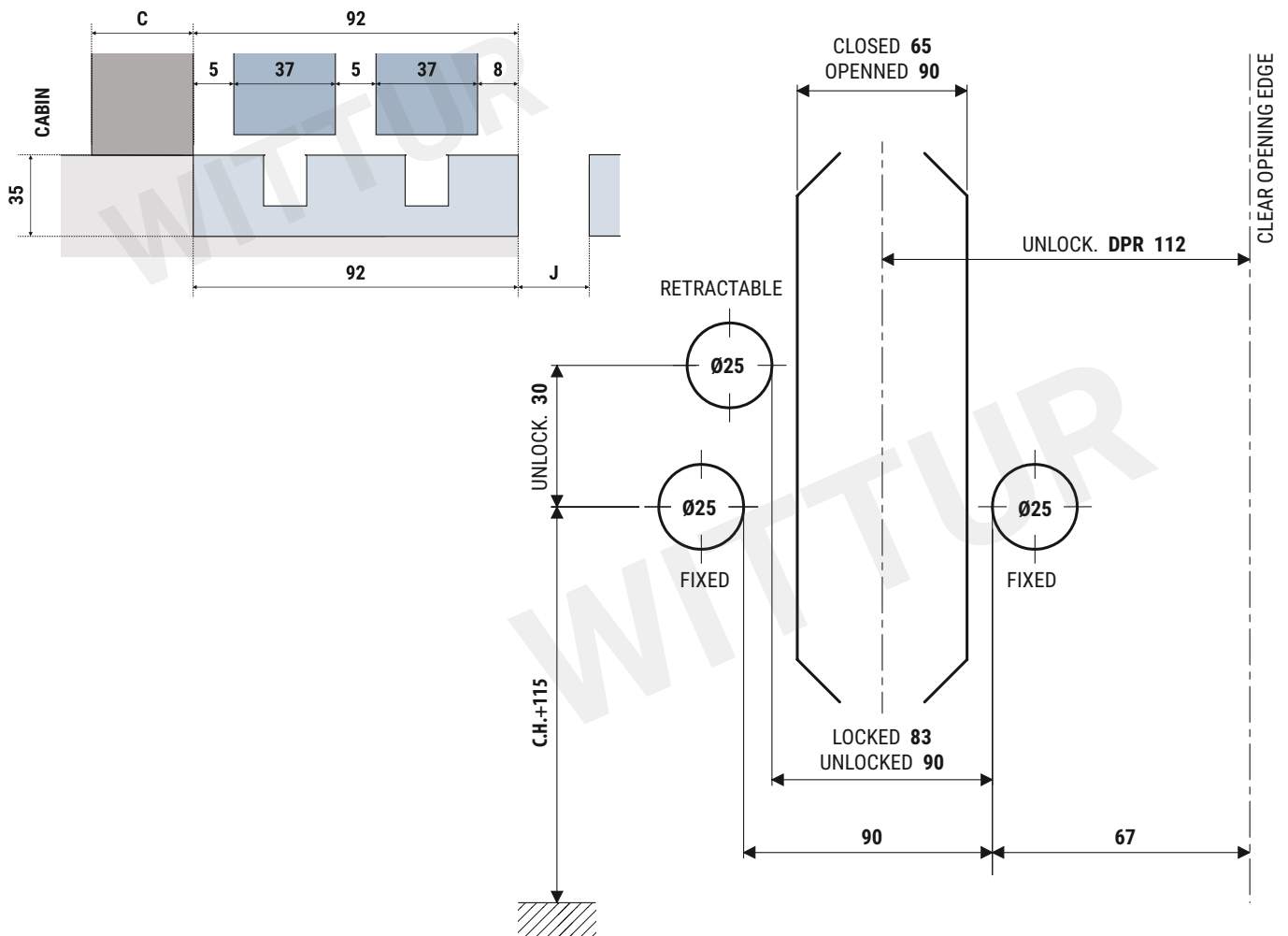
Important : Check the measure and change if different. Coupler and lock are drawn from the floor.

Informations : Any other reproduction in any form without Wittur permission is prohibited. Text and photos are non-contractual and are subject to change without notice.



**TYPE 85**

**085-OL**



Important : Check the measure and change if different. Coupler and lock are drawn from the floor.

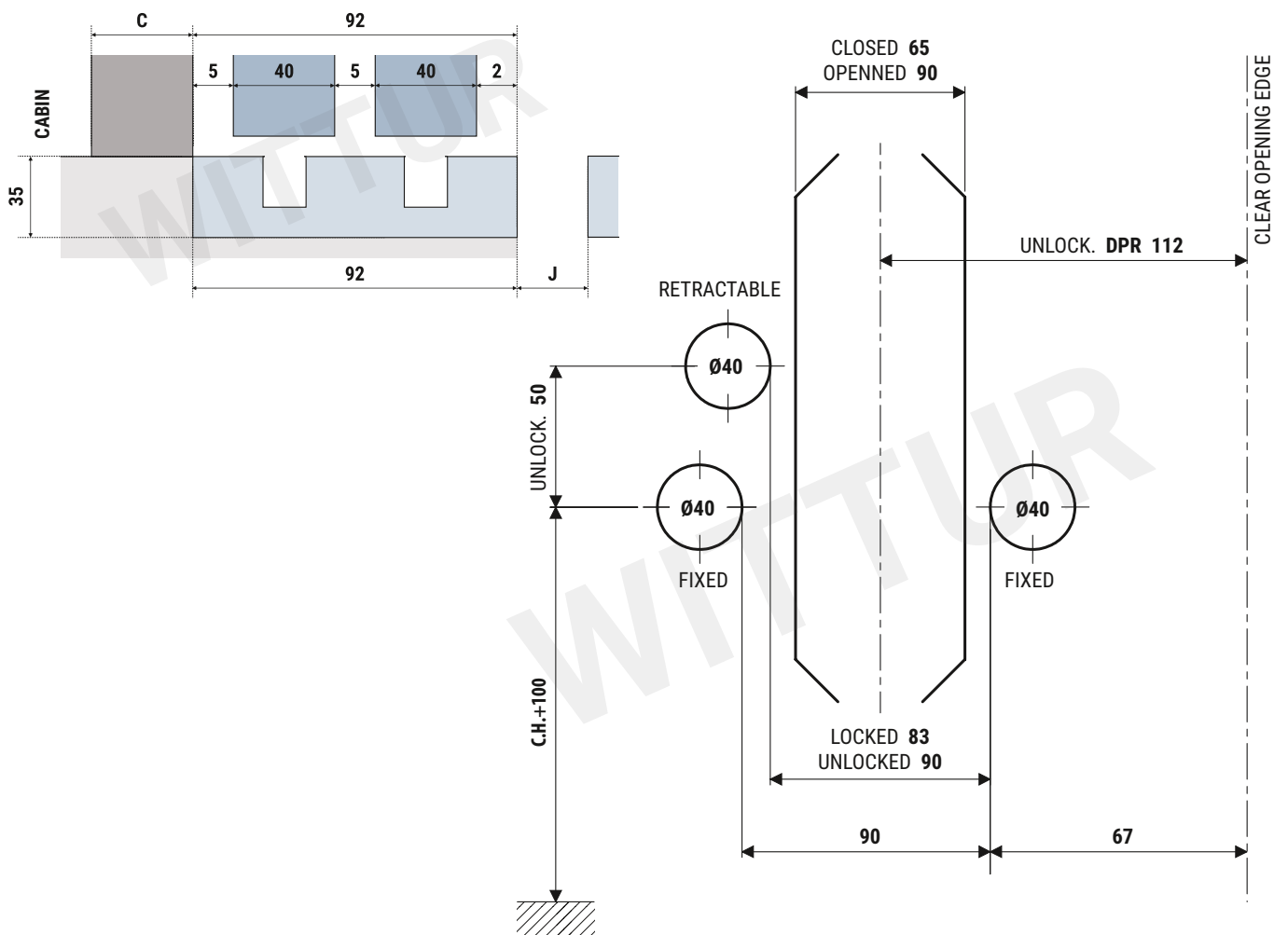
Informations : Any other reproduction in any form without Wittur permission is prohibited. Text and photos are non-contractual and are subject to change without notice.

WeM<sup>+</sup>D  
**MONITOR**  
 ID0059A



**TYPE 92**

**92 VF**



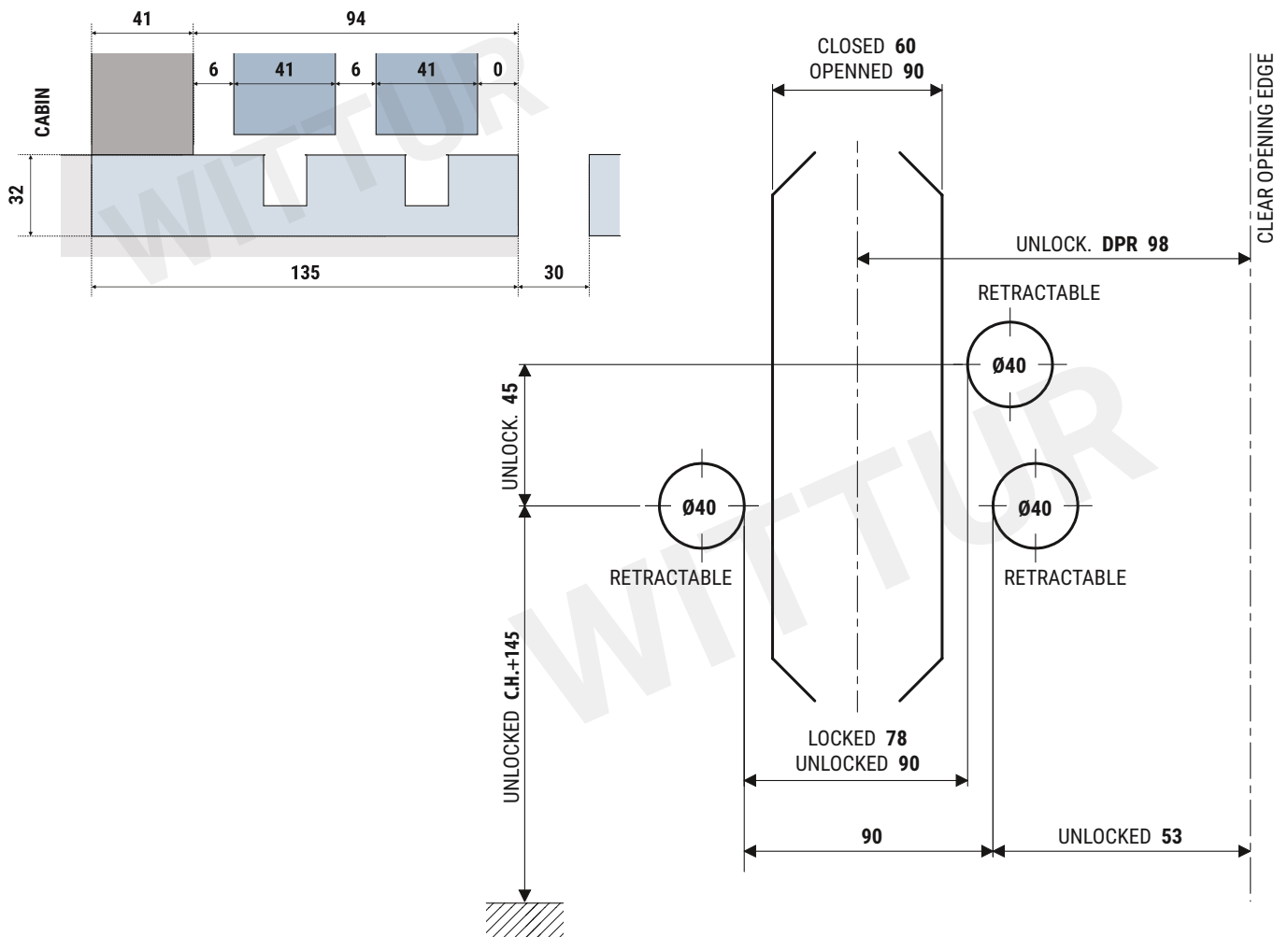
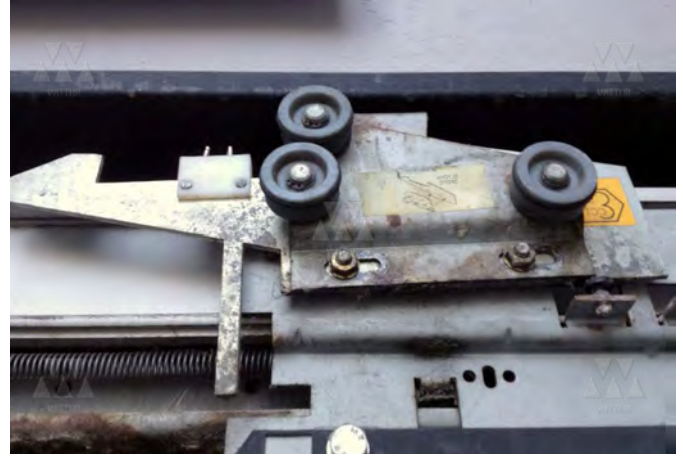
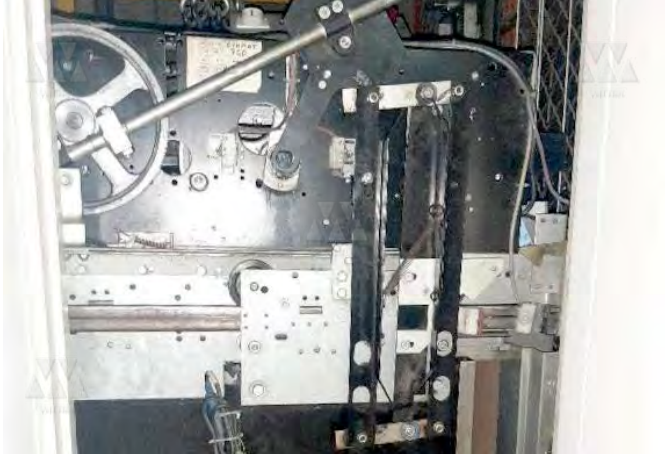
Important : Check the measure and change if different. Coupler and lock are drawn from the floor.

Informations : Any other reproduction in any form without Wittur permission is prohibited. Text and photos are non-contractual and are subject to change without notice.



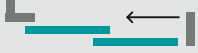
**DYN-P**

**POLYGAM**



Important : Check the measure and change if different. Coupler and lock are drawn from the floor.

Informations : Any other reproduction in any form without Wittur permission is prohibited. Text and photos are non-contractual and are subject to change without notice.



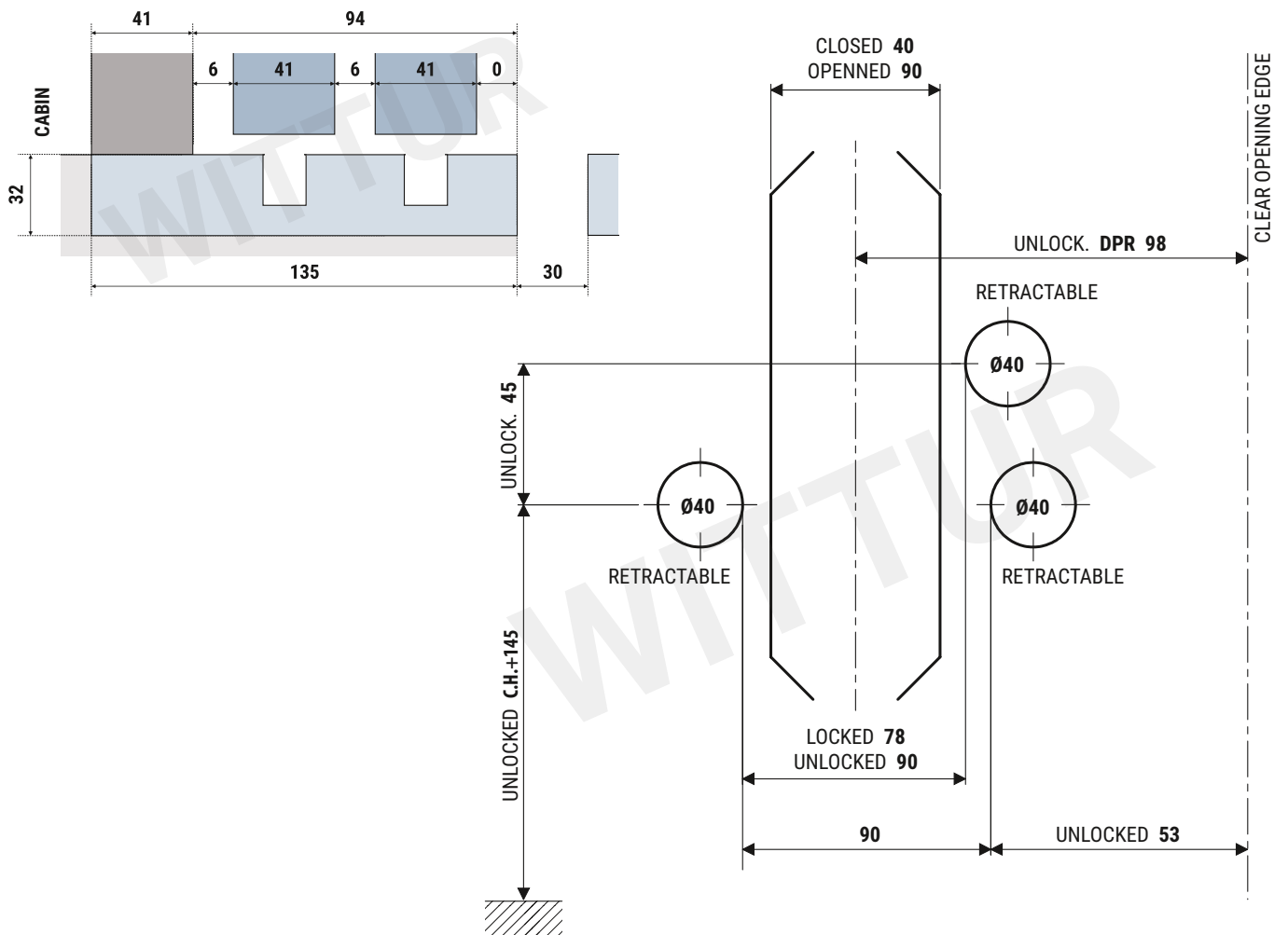
WeM $\oplus$ D  
**SLYCMA**  
**ID0082A**



**JET-P**



**POLYGAM**



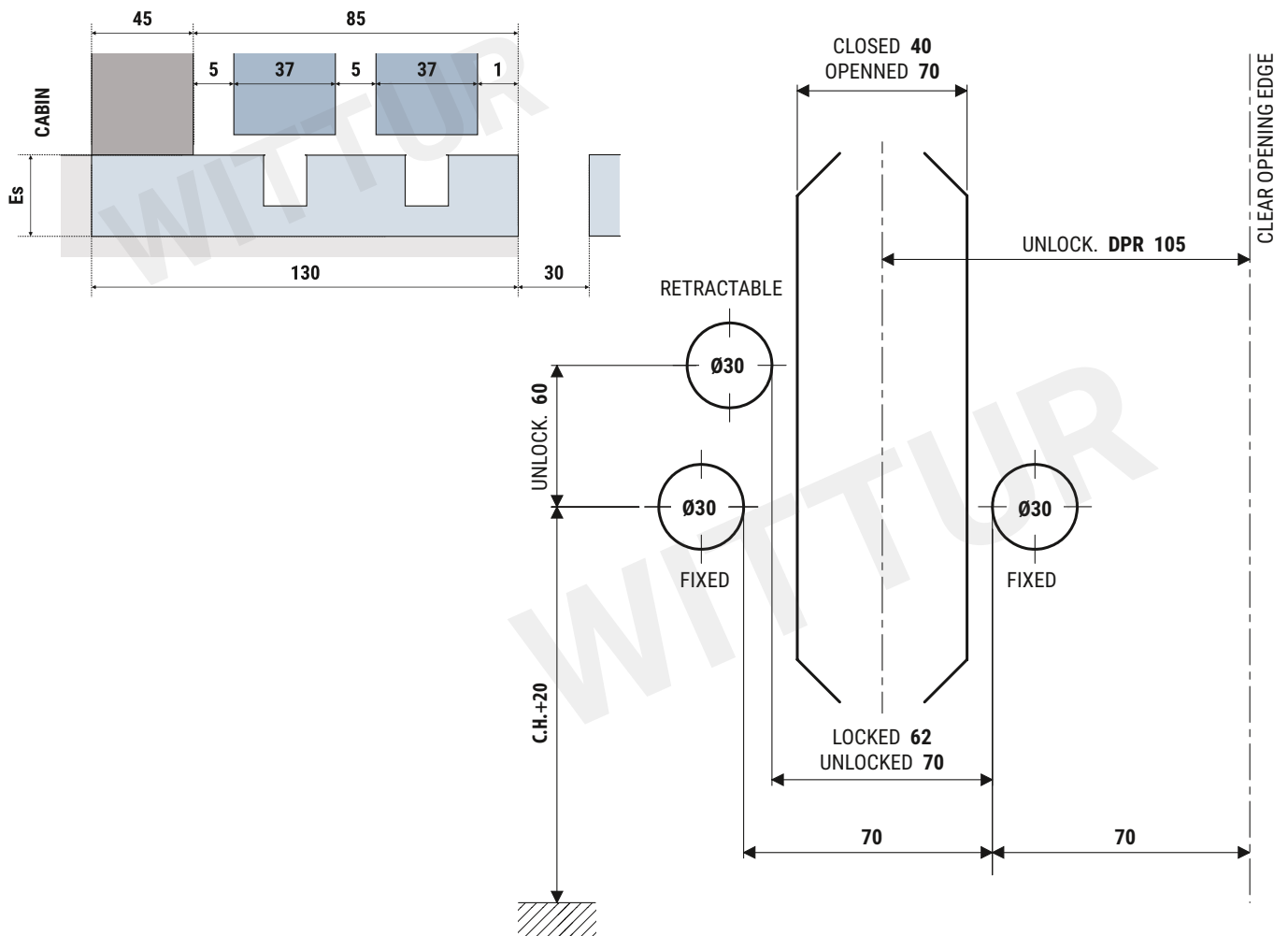
Important : Check the measure and change if different. Coupler and lock are drawn from the floor.

Informations : Any other reproduction in any form without Wittur permission is prohibited. Text and photos are non-contractual and are subject to change without notice.



M2TD6 - BM200

M2TS6

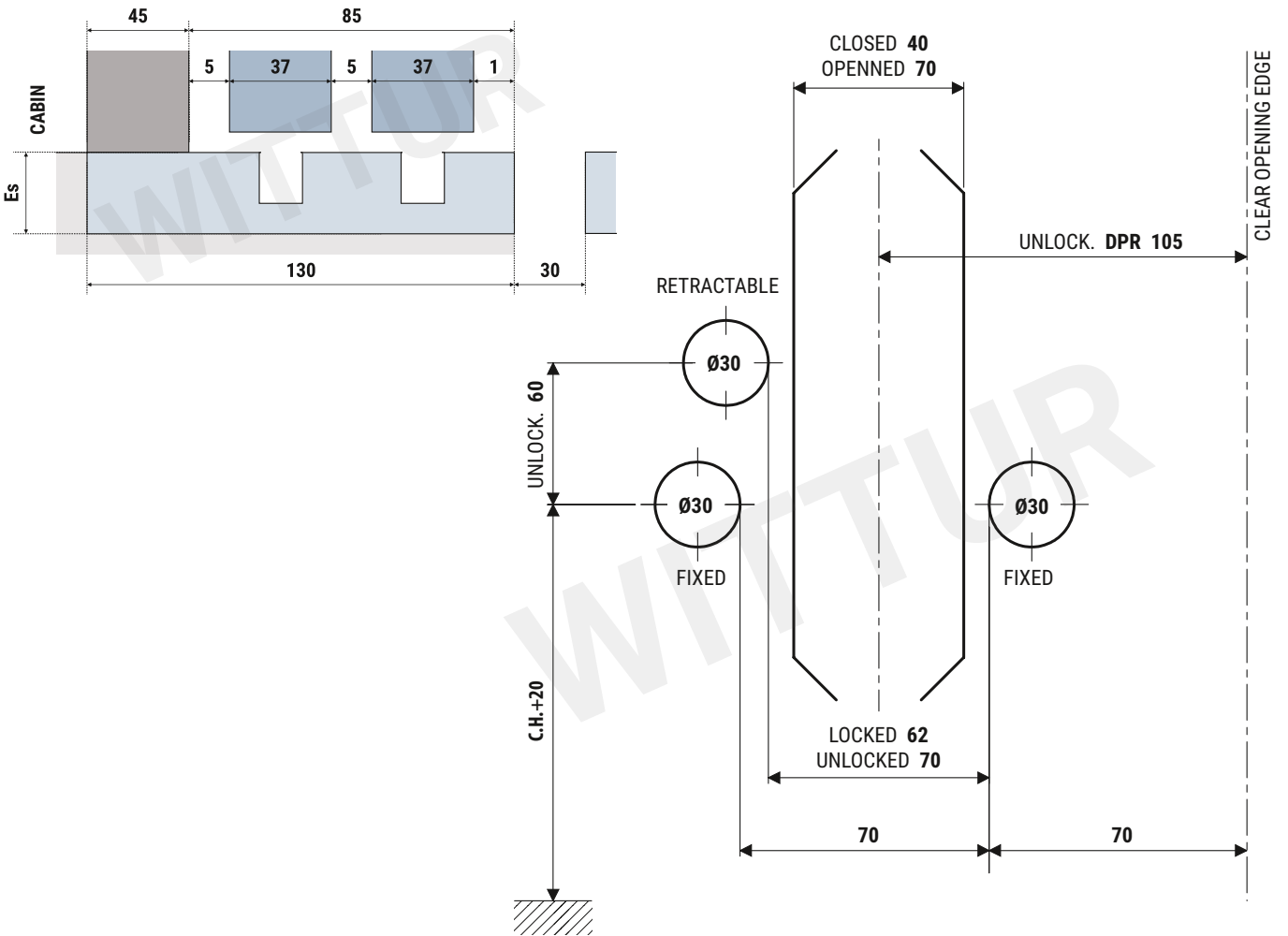


Important : Check the measure and change if different. Coupler and lock are drawn from the floor.

Informations : Any other reproduction in any form without Wittur permission is prohibited. Text and photos are non-contractual and are subject to change without notice.

**M2ZD6 - RT200.RT201**

**M2TS6**



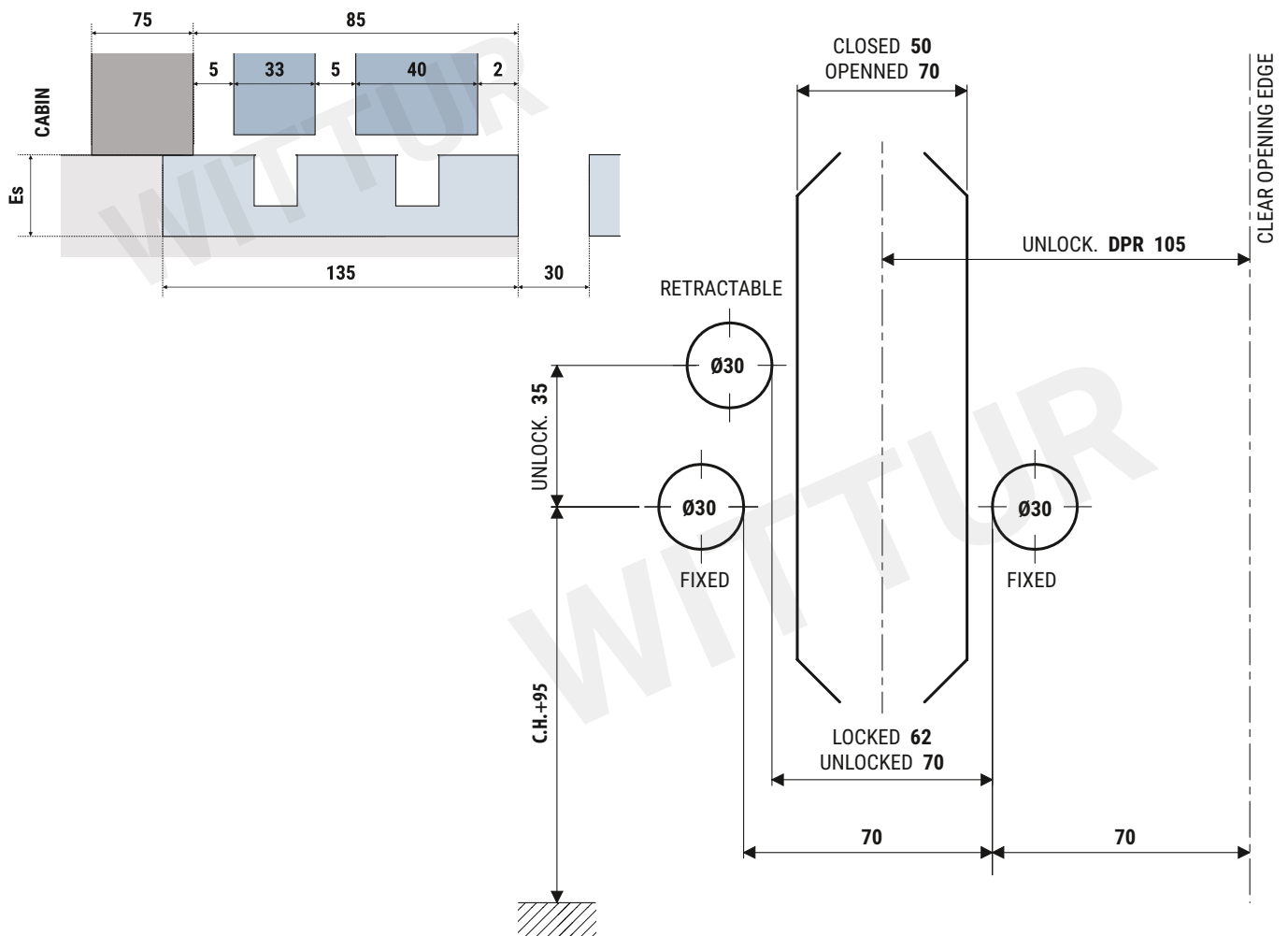
Important : Check the measure and change if different. Coupler and lock are drawn from the floor.

Informations : Any other reproduction in any form without Wittur permission is prohibited. Text and photos are non-contractual and are subject to change without notice.



M2TD4

M2TS4



Important : Check the measure and change if different. Coupler and lock are drawn from the floor.

Informations : Any other reproduction in any form without Wittur permission is prohibited. Text and photos are non-contractual and are subject to change without notice.

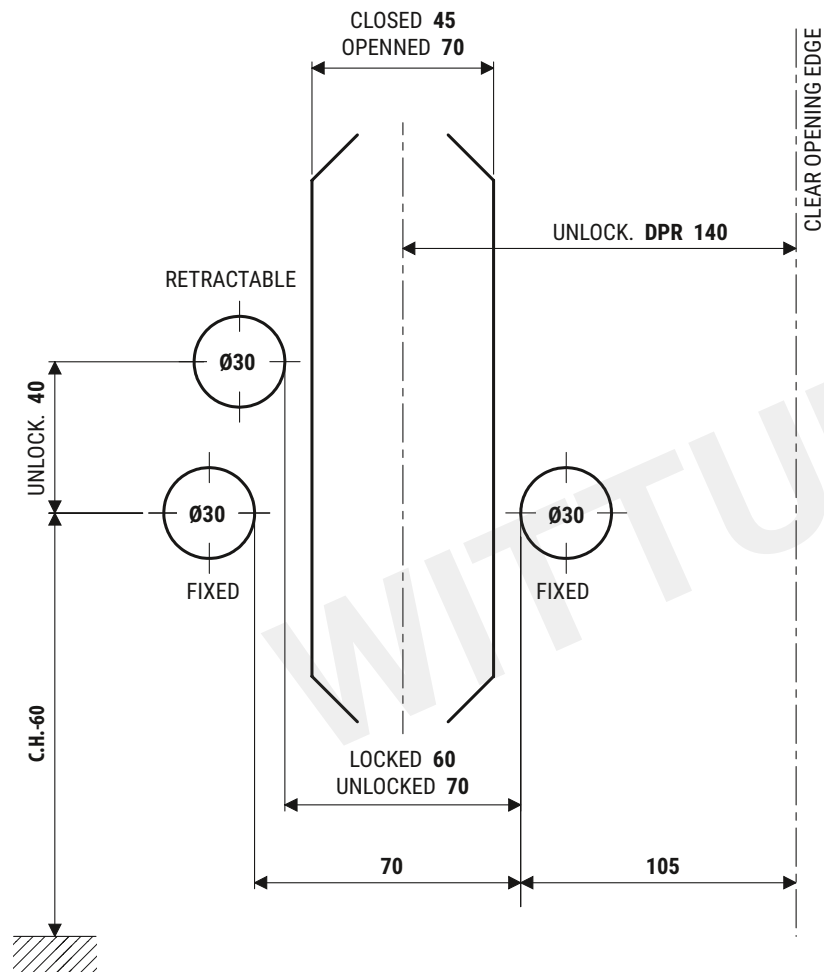




WeMOD  
**THYSSEN**  
**ID0138A**

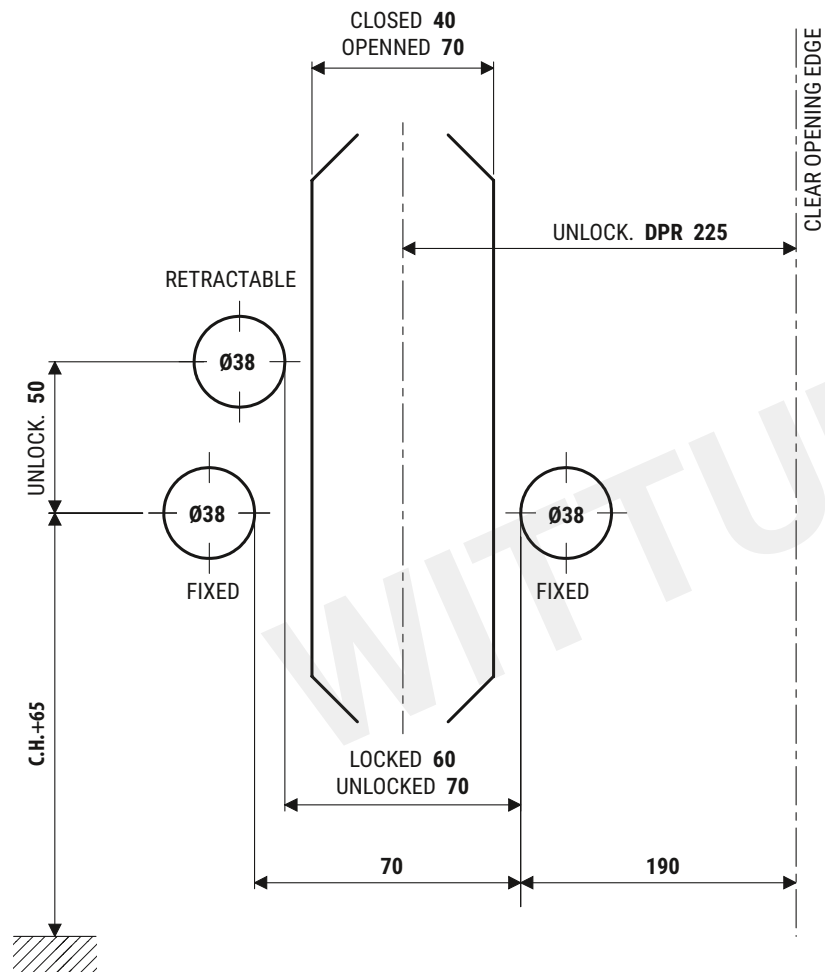


**P91**



Important : Check the measure and change if different. Coupler and lock are drawn from the floor.

Informations : Any other reproduction in any form without Wittur permission is prohibited. Text and photos are non-contractual and are subject to change without notice.



Important : Check the measure and change if different. Coupler and lock are drawn from the floor.

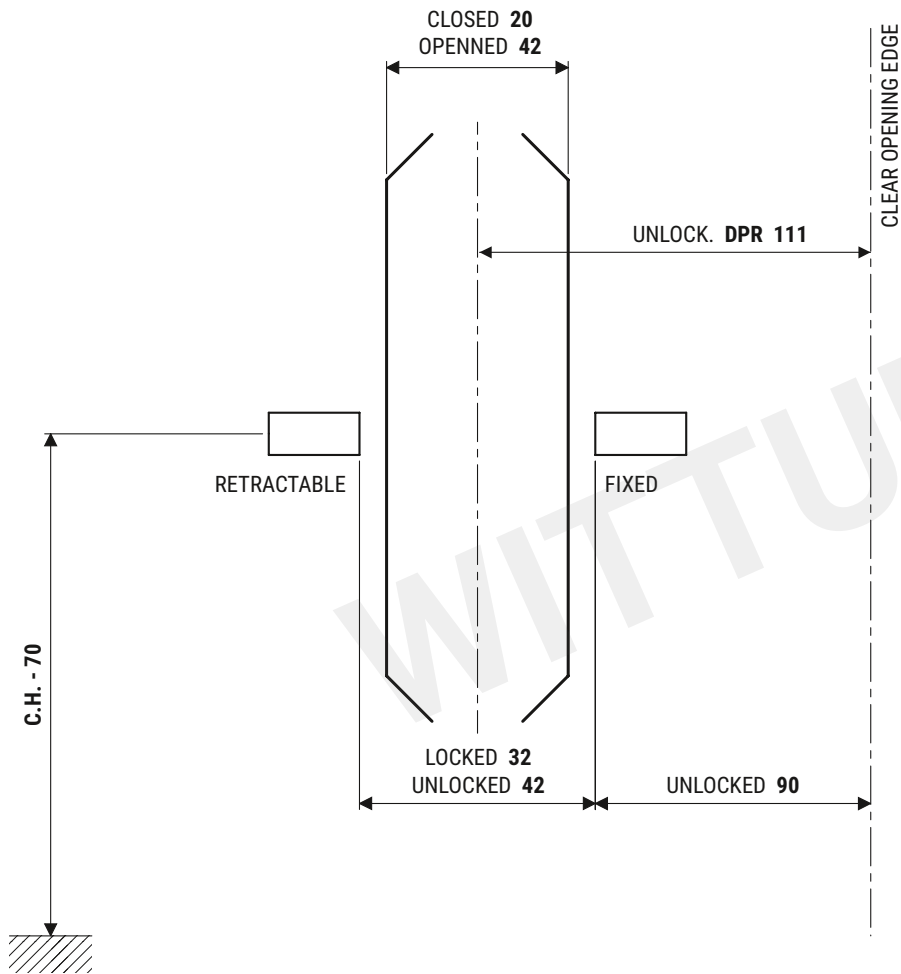
Informations : Any other reproduction in any form without Wittur permission is prohibited. Text and photos are non-contractual and are subject to change without notice.



### WESTINGHOUSE



### DRIVE BLOCK



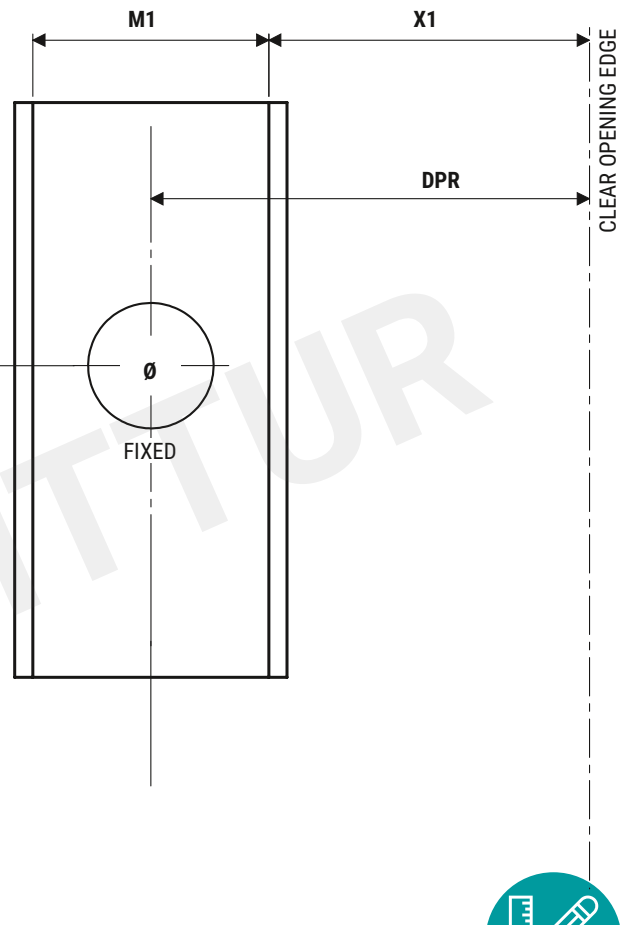
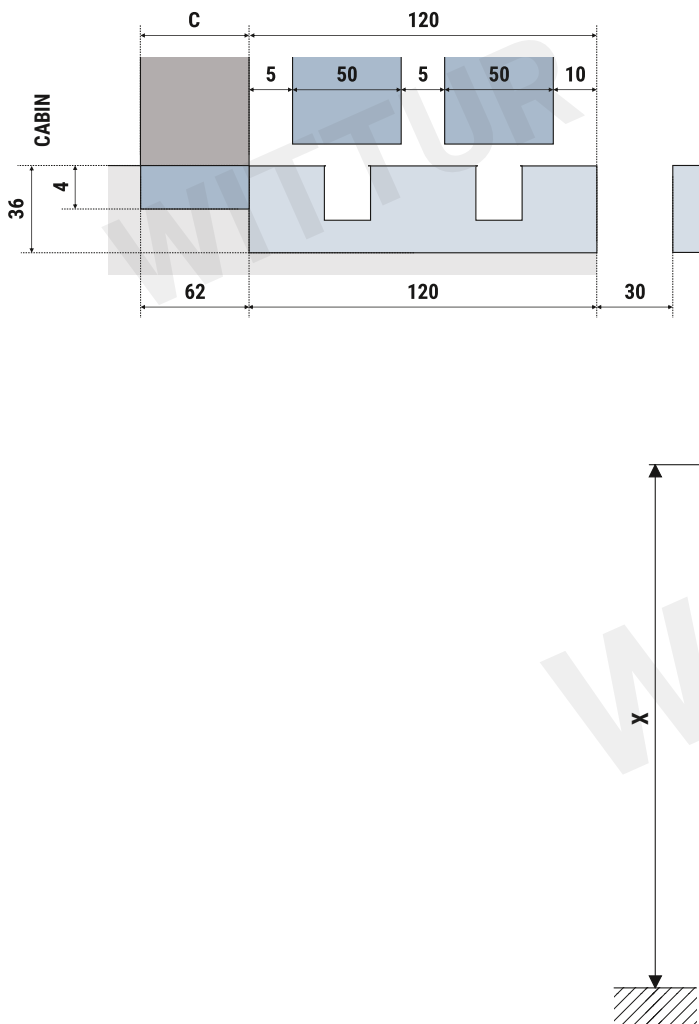
Important : Check the measure and change if different. Coupler and lock are drawn from the floor.

Informations : Any other reproduction in any form without Wittur permission is prohibited. Text and photos are non-contractual and are subject to change without notice.



**COMPACT**

**KRONENBERG LOCK**



Important : Check the measure and change if different. Coupler and lock are drawn from the floor.

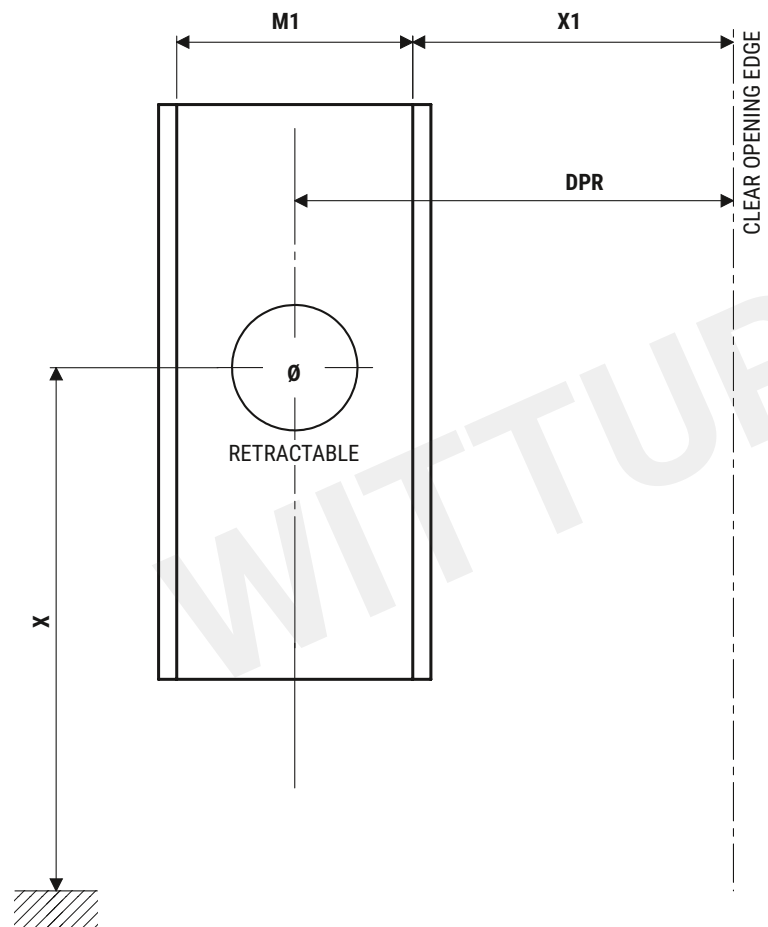
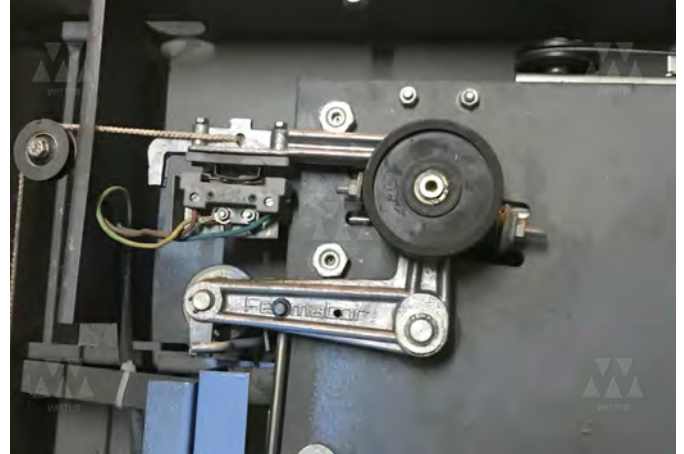
Informations : Any other reproduction in any form without Wittur permission is prohibited. Text and photos are non-contractual and are subject to change without notice.



WeMOD

# FERMATOR

## ID0115A



Important : Check the measure and change if different. Coupler and lock are drawn from the floor.

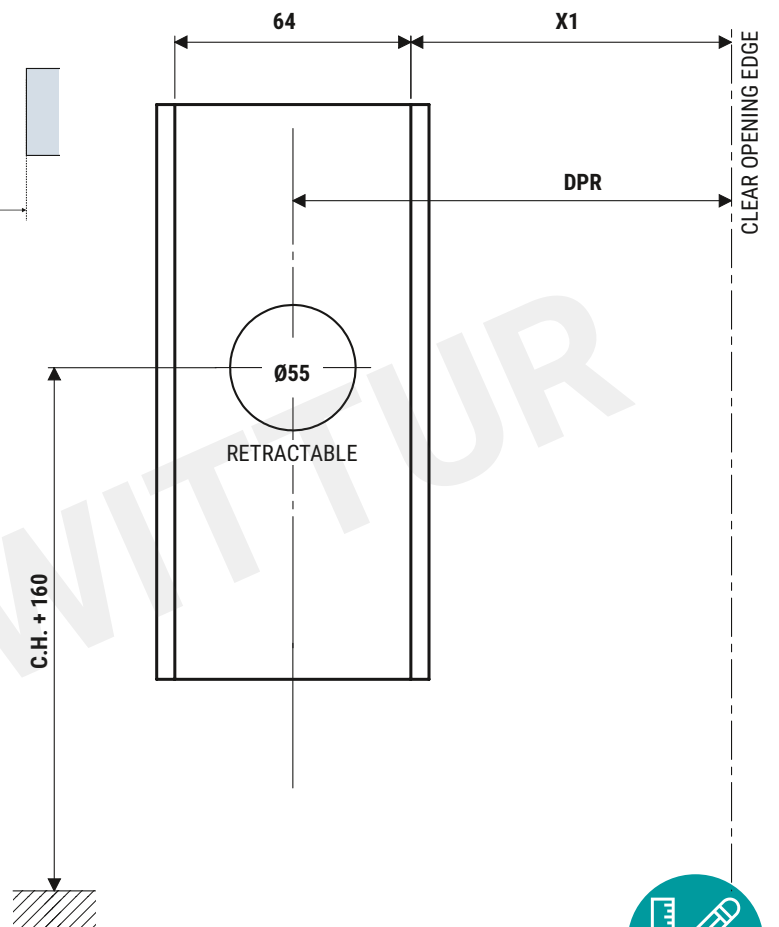
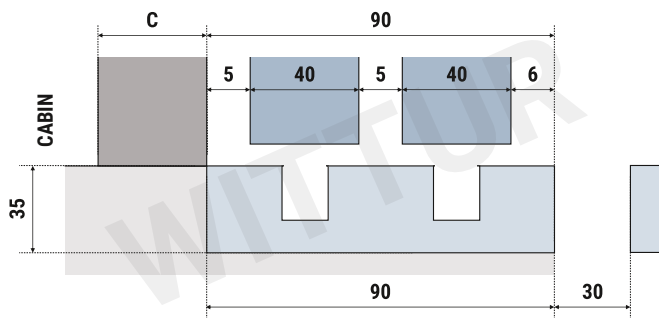
Informations : Any other reproduction in any form without Wittur permission is prohibited. Text and photos are non-contractual and are subject to change without notice.



TYPE 74, 83, 94

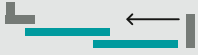


TYPE 74, 83, 94



Important : Check the measure and change if different. Coupler and lock are drawn from the floor.

Informations : Any other reproduction in any form without Wittur permission is prohibited. Text and photos are non-contractual and are subject to change without notice.

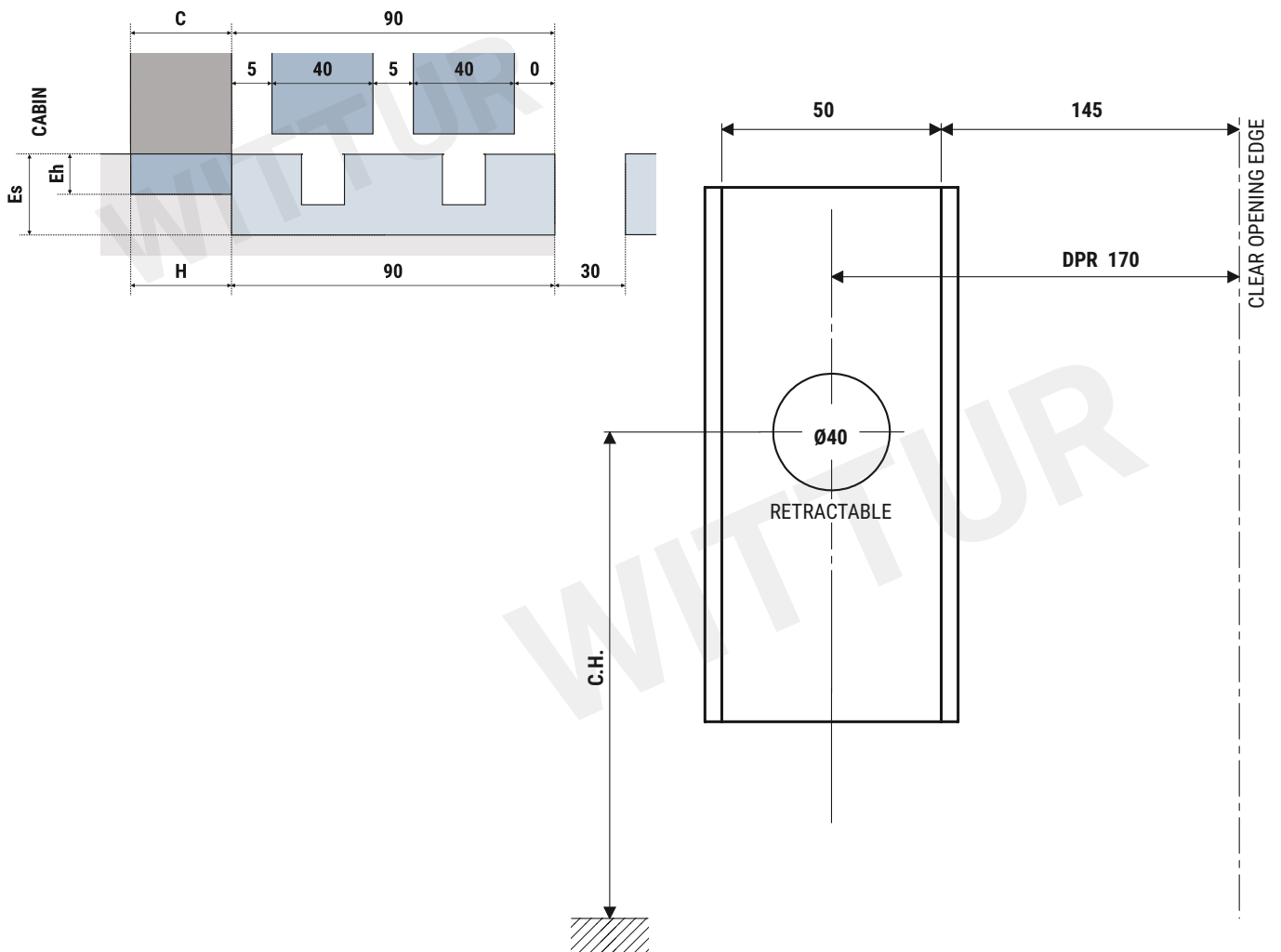


WeM<sup>+</sup>D  
**SLYCMA**  
**ID0124A**



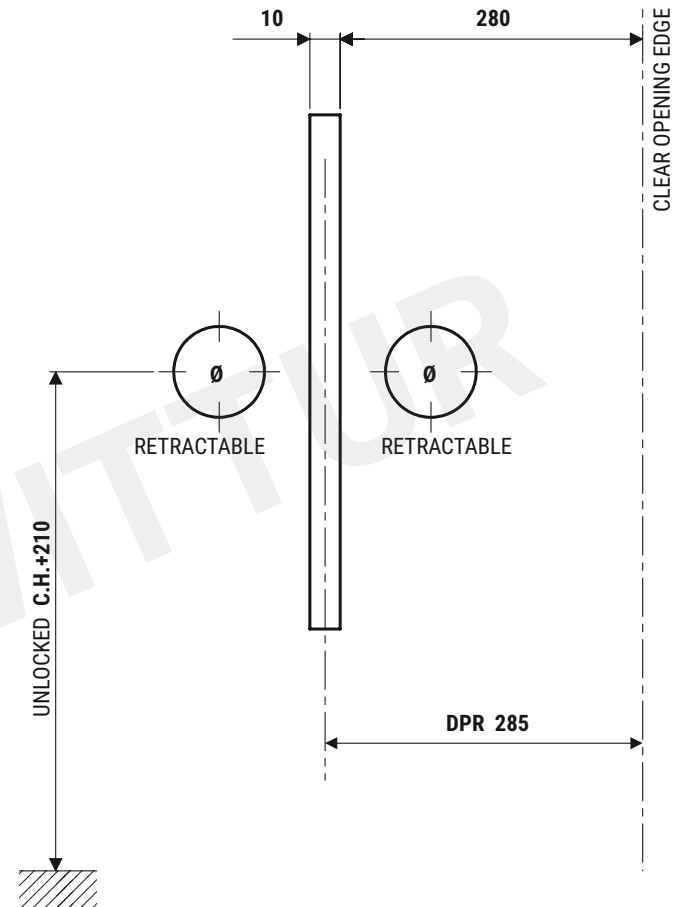
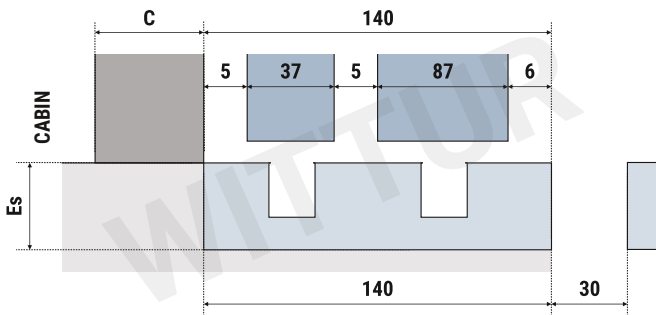
**DELLERBA**

**DELLERBA**



Important : Check the measure and change if different. Coupler and lock are drawn from the floor.

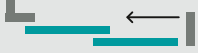
Informations : Any other reproduction in any form without Wittur permission is prohibited. Text and photos are non-contractual and are subject to change without notice.



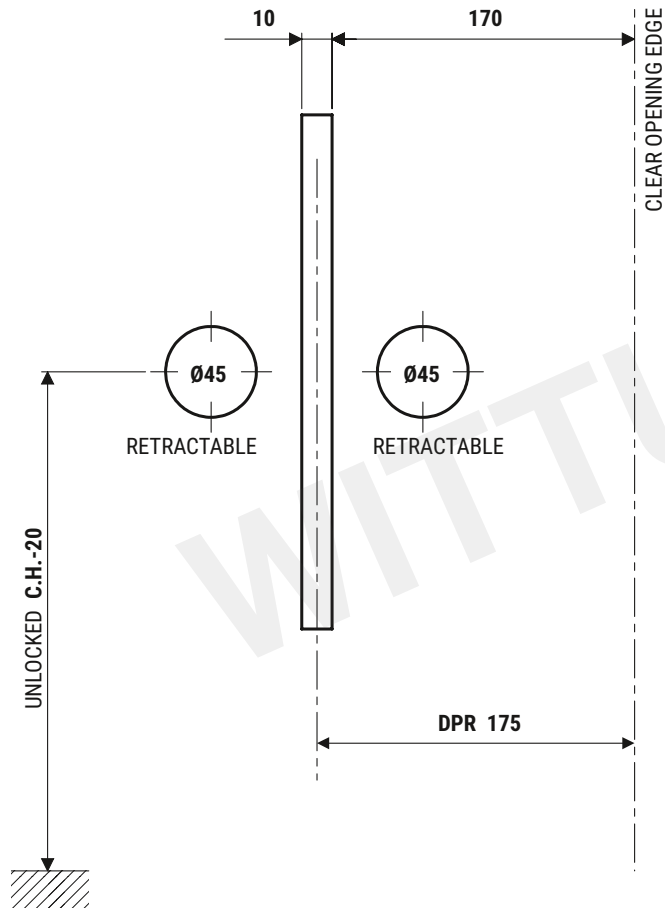
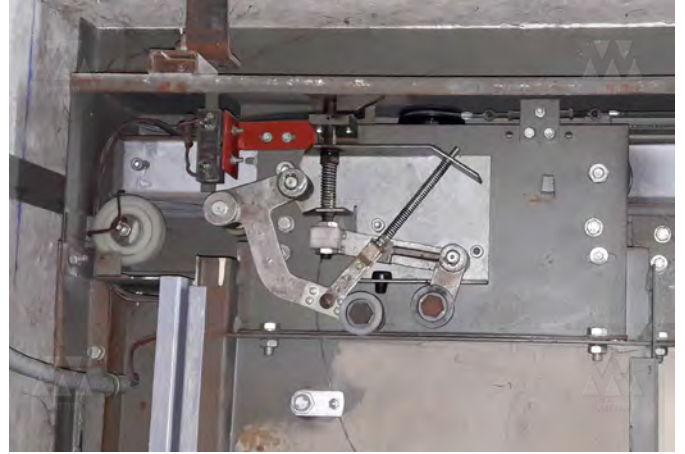
Important : Check the measure and change if different. Coupler and lock are drawn from the floor.

Informations : Any other reproduction in any form without Wittur permission is prohibited. Text and photos are non-contractual and are subject to change without notice.





WeMOD  
**CAMUS**  
ID0075A



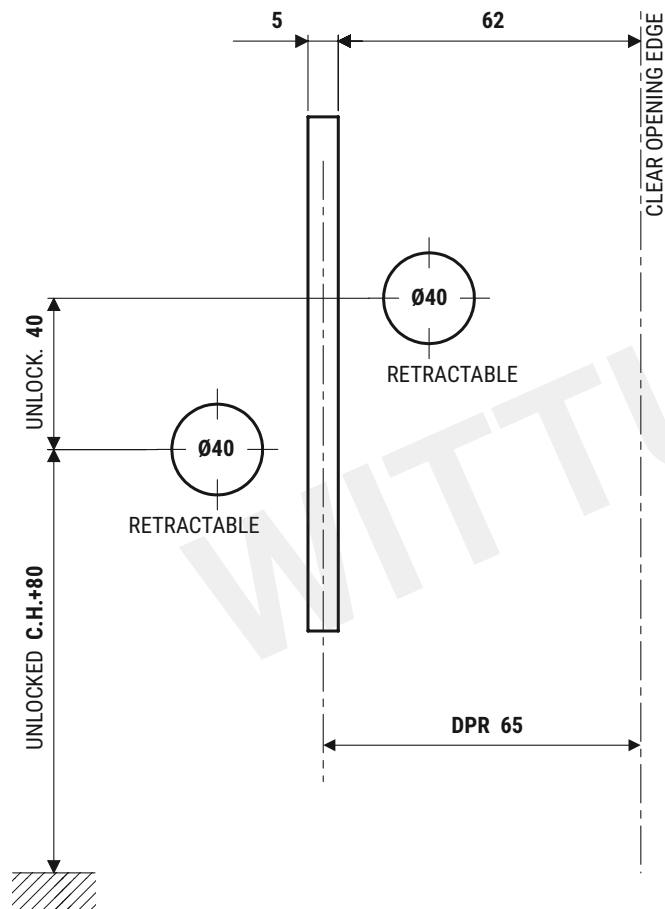
Important : Check the measure and change if different. Coupler and lock are drawn from the floor.

Informations : Any other reproduction in any form without Wittur permission is prohibited. Text and photos are non-contractual and are subject to change without notice.



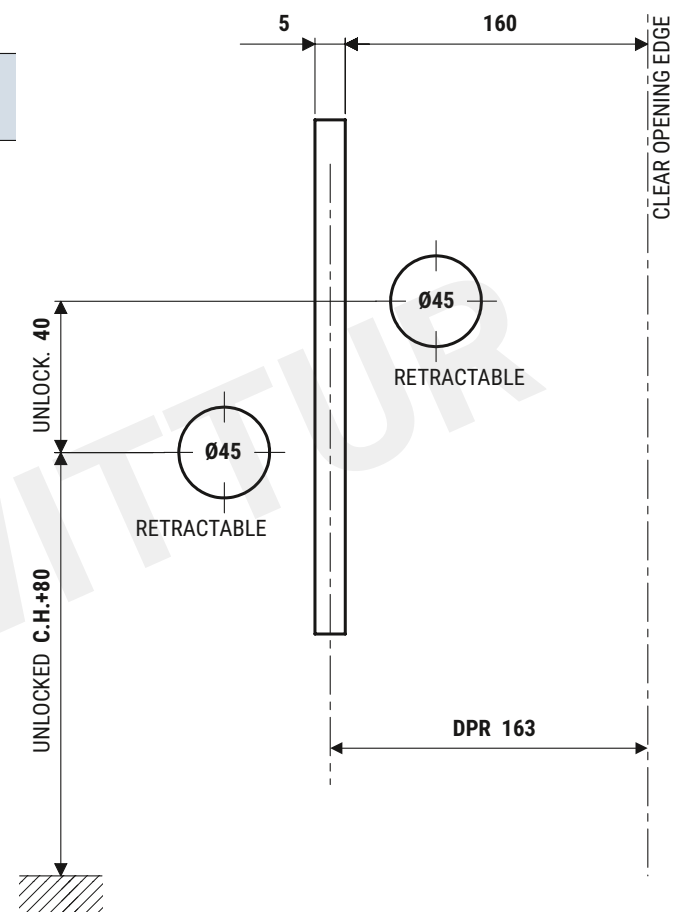
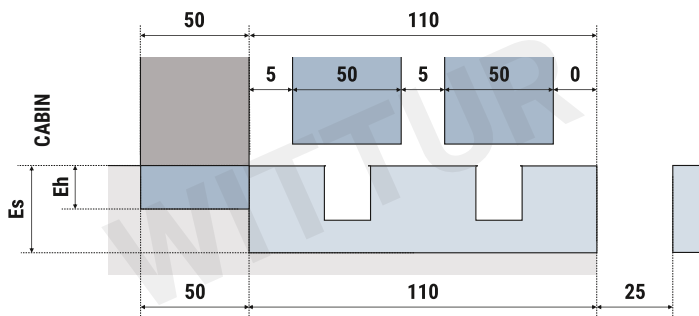
**PAP-10**

**TIPO C-8**



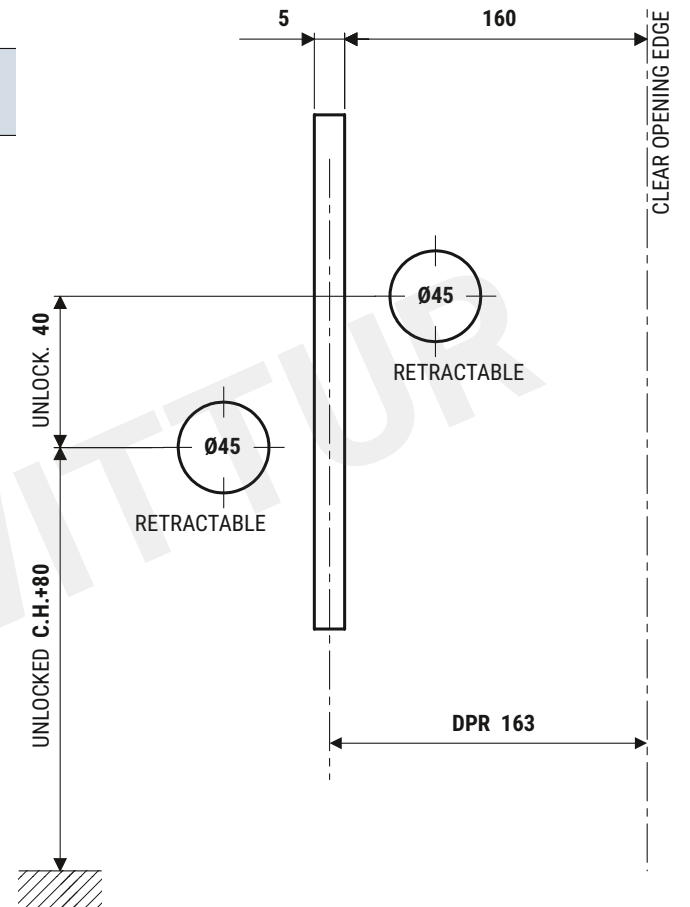
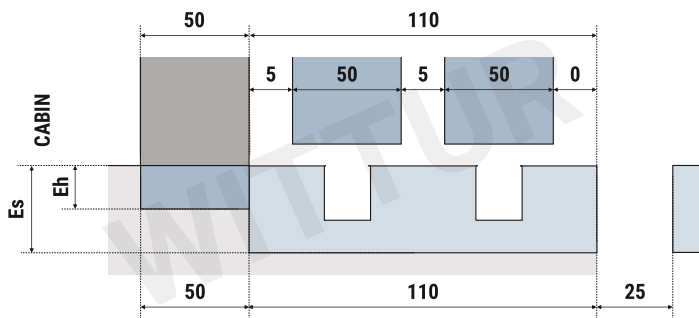
Important : Check the measure and change if different. Coupler and lock are drawn from the floor.

Informations : Any other reproduction in any form without Wittur permission is prohibited. Text and photos are non-contractual and are subject to change without notice.



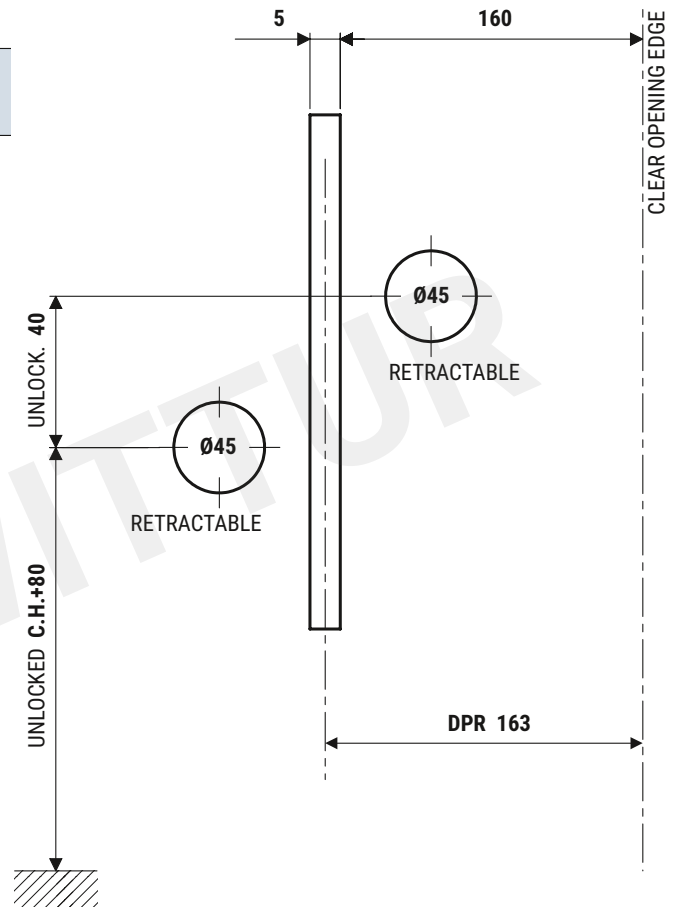
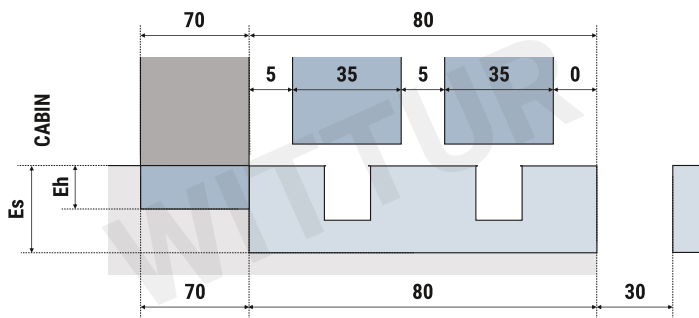
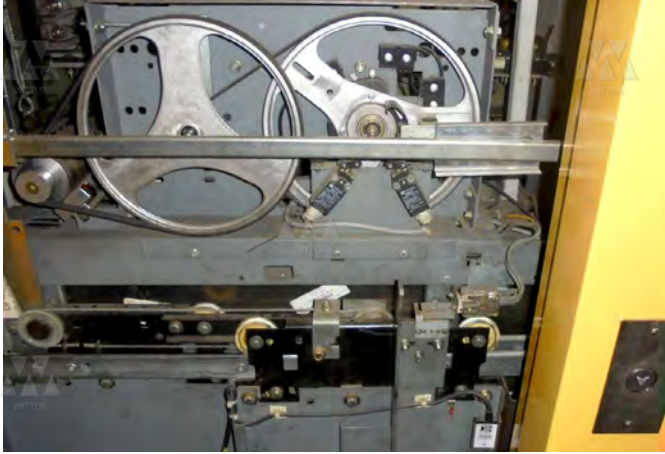
Important : Check the measure and change if different. Coupler and lock are drawn from the floor.

Informations : Any other reproduction in any form without Wittur permission is prohibited. Text and photos are non-contractual and are subject to change without notice.



Important : Check the measure and change if different. Coupler and lock are drawn from the floor.

Informations : Any other reproduction in any form without Wittur permission is prohibited. Text and photos are non-contractual and are subject to change without notice.



Important : Check the measure and change if different. Coupler and lock are drawn from the floor.

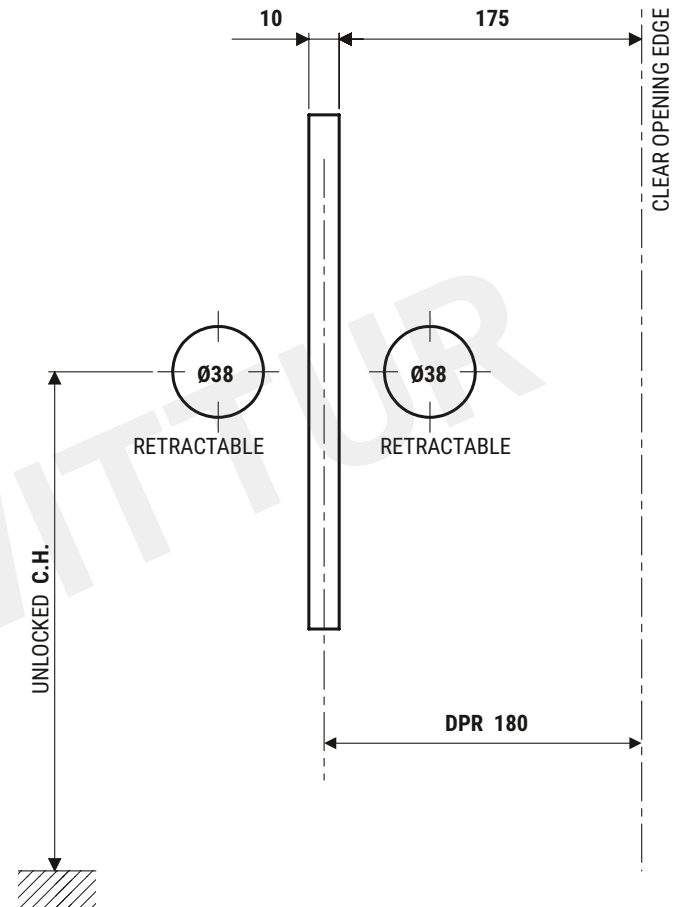
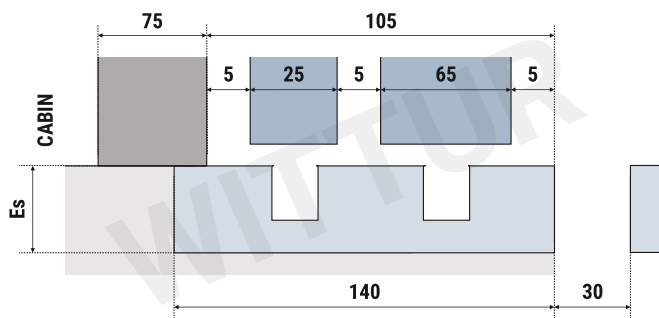
Informations : Any other reproduction in any form without Wittur permission is prohibited. Text and photos are non-contractual and are subject to change without notice.



NEW YORK 6970



NEW YORK



Important : Check the measure and change if different. Coupler and lock are drawn from the floor.

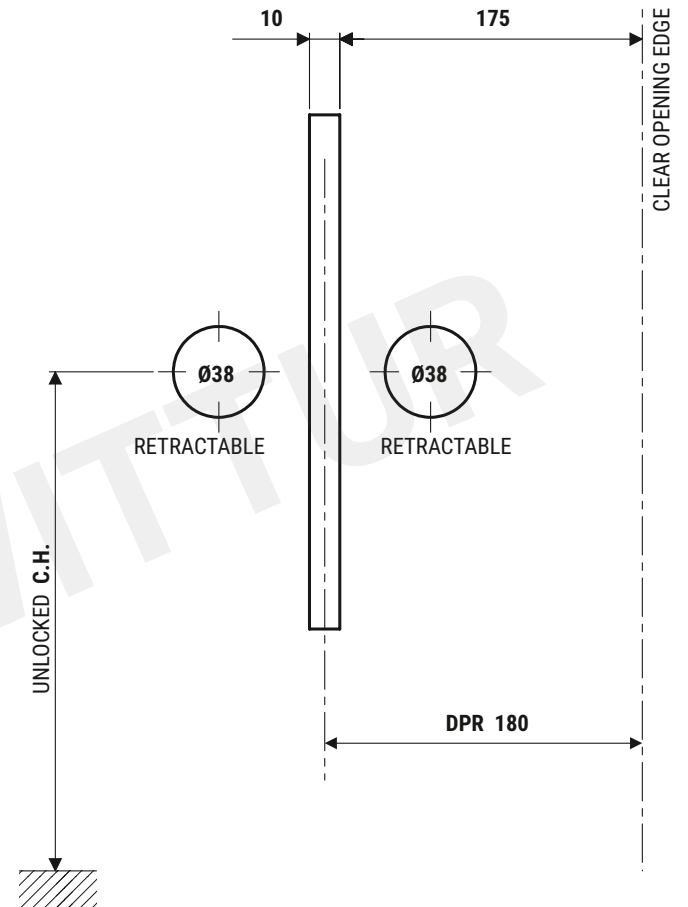
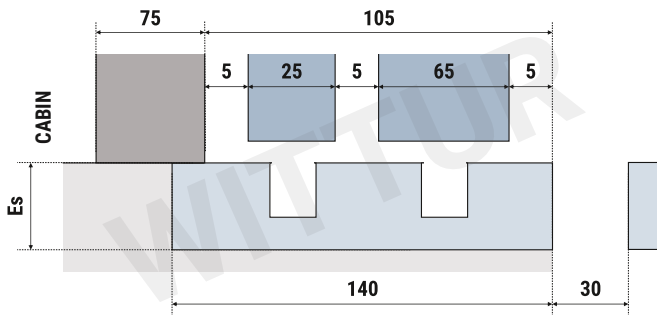
Informations : Any other reproduction in any form without Wittur permission is prohibited. Text and photos are non-contractual and are subject to change without notice.



**NEW YORK**



**NEW YORK**

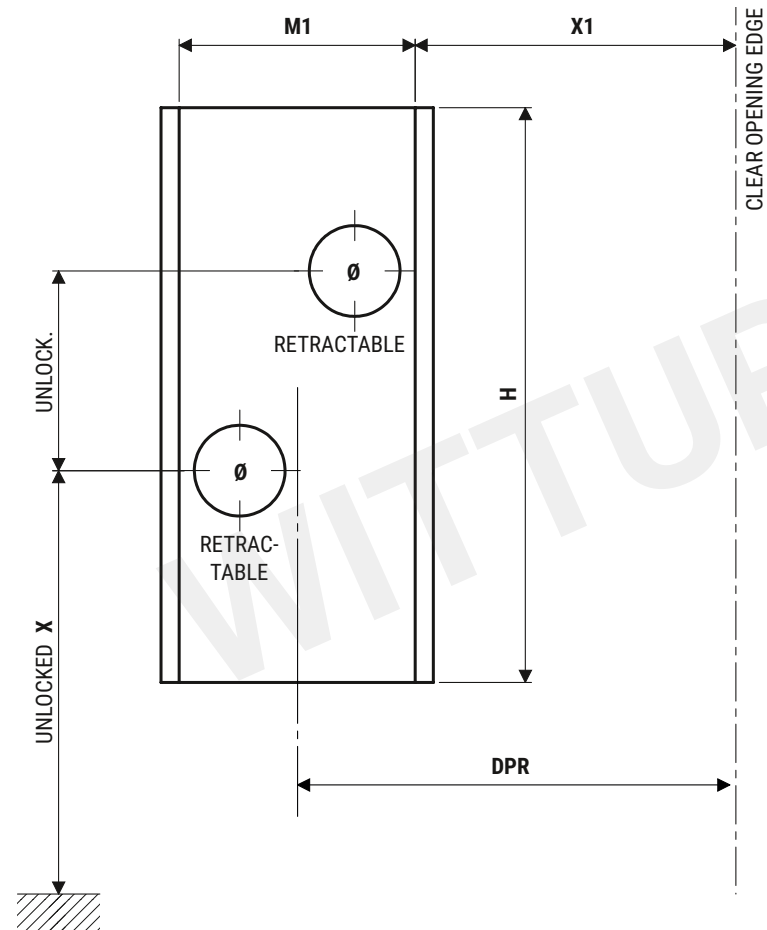


Important : Check the measure and change if different. Coupler and lock are drawn from the floor.

Informations : Any other reproduction in any form without Wittur permission is prohibited. Text and photos are non-contractual and are subject to change without notice.



SERIE A

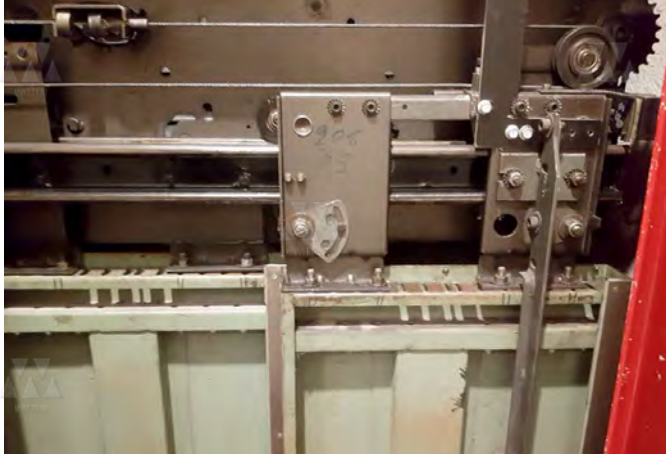


Important : Check the measure and change if different. Coupler and lock are drawn from the floor.

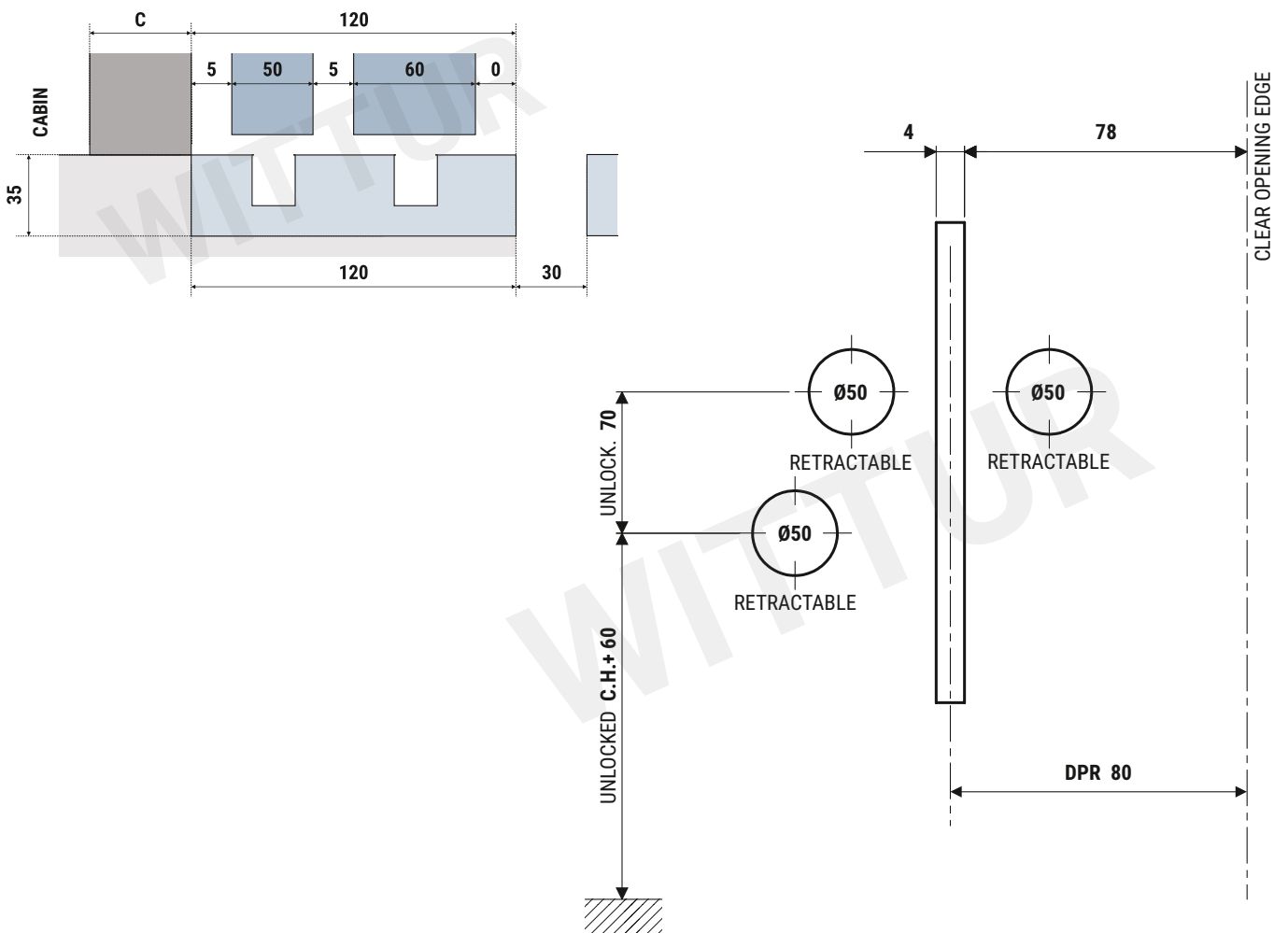
Informations : Any other reproduction in any form without Wittur permission is prohibited. Text and photos are non-contractual and are subject to change without notice.



WORLY SP2 - S279



WORLY SP2 - S273



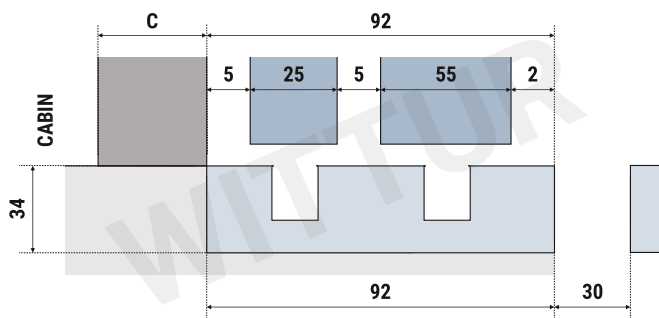
Important : Check the measure and change if different. Coupler and lock are drawn from the floor.

Informations : Any other reproduction in any form without Wittur permission is prohibited. Text and photos are non-contractual and are subject to change without notice.

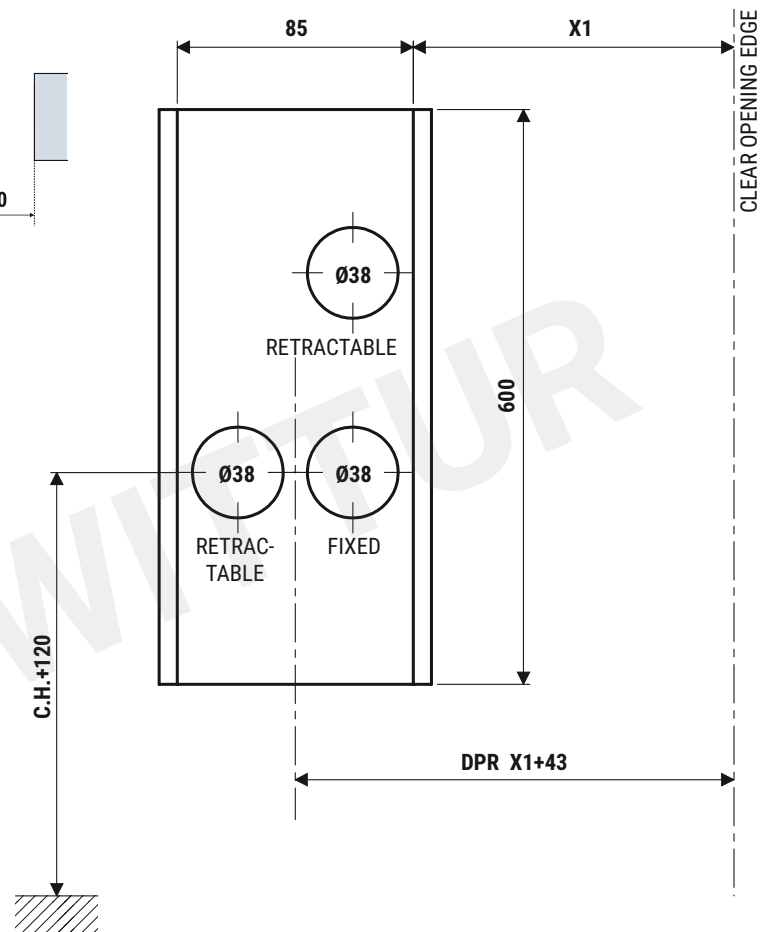


EUROPA

9940



	X1
700	107
800	107
900	177
1100	232



Important : Check the measure and change if different. Coupler and lock are drawn from the floor.

Informations : Any other reproduction in any form without Wittur permission is prohibited. Text and photos are non-contractual and are subject to change without notice.

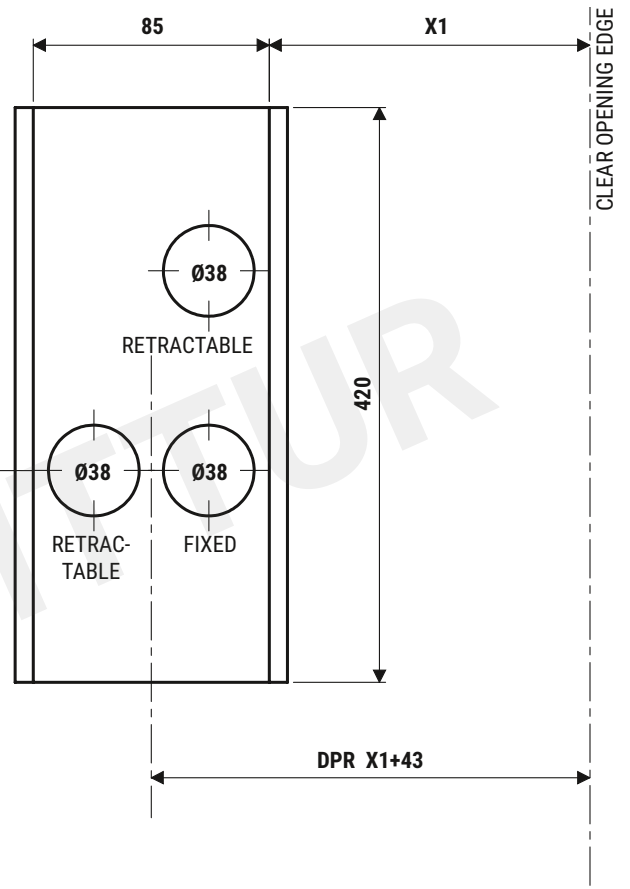
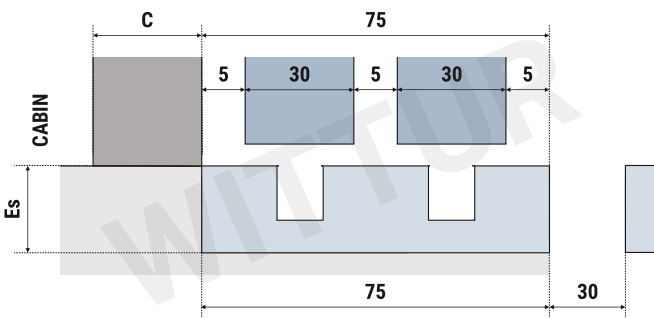


WeMOD  
**OTIS**  
 ID0065A



**LM**

**9940**



	X1
700	147
800	147



Important : Check the measure and change if different. Coupler and lock are drawn from the floor.

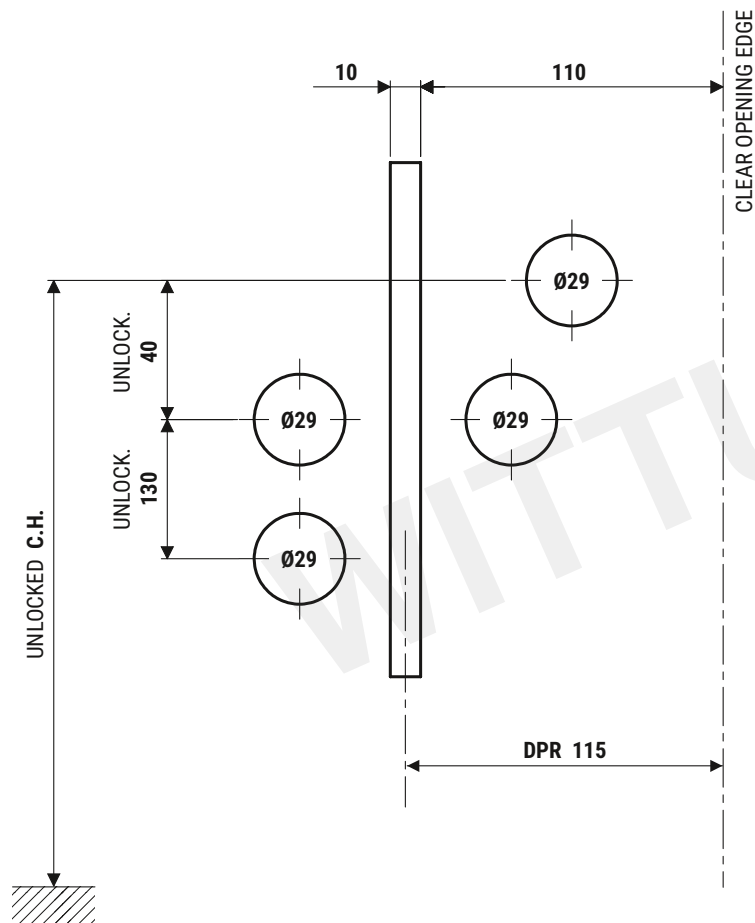
Informations : Any other reproduction in any form without Wittur permission is prohibited. Text and photos are non-contractual and are subject to change without notice.



C66



C66



Important : Check the measure and change if different. Coupler and lock are drawn from the floor.

Informations : Any other reproduction in any form without Wittur permission is prohibited. Text and photos are non-contractual and are subject to change without notice.



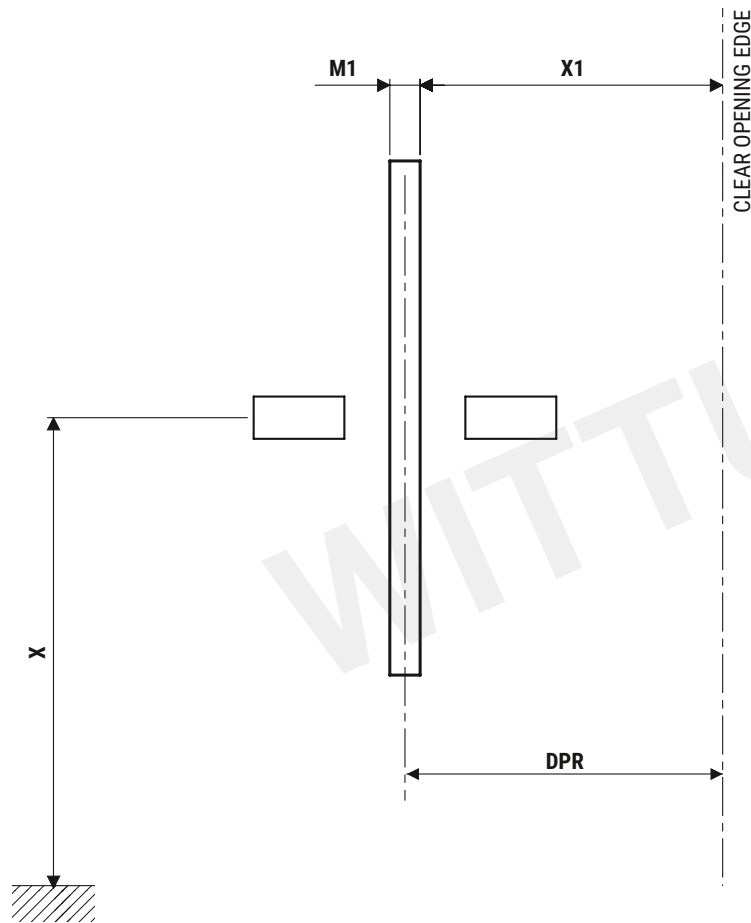
WeM<sup>+</sup>MOD

# COMPORTEL

## ID0094A



WITTUR

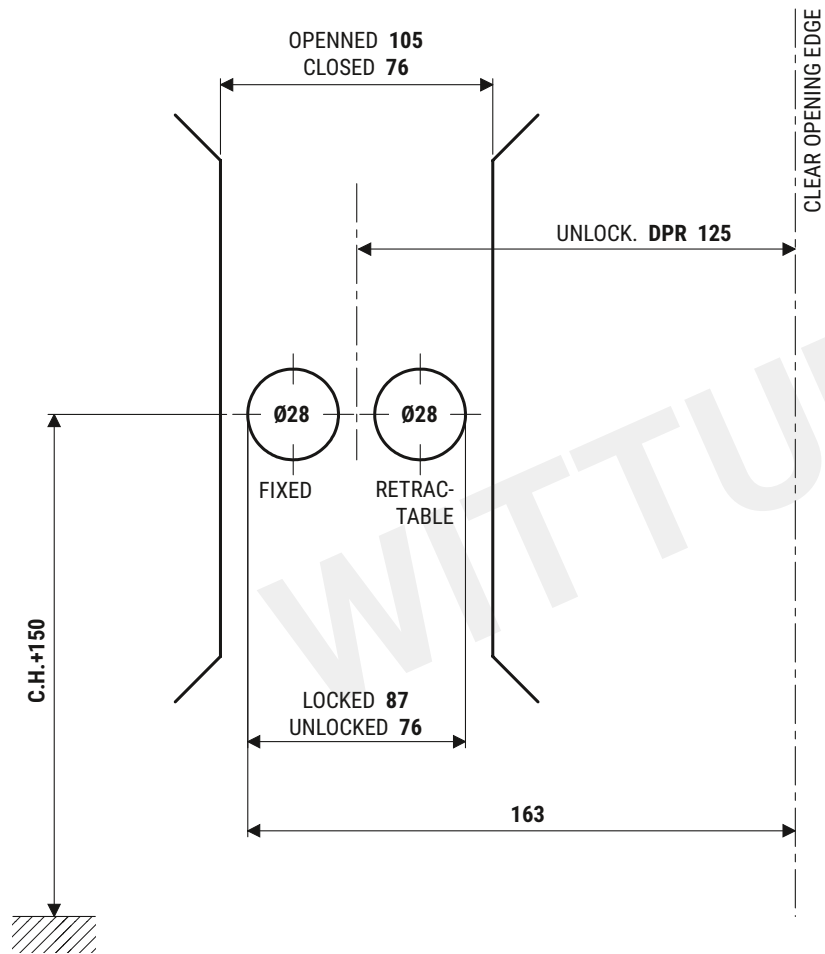


Important : Check the measure and change if different. Coupler and lock are drawn from the floor.

Informations : Any other reproduction in any form without Wittur permission is prohibited. Text and photos are non-contractual and are subject to change without notice.



E1-AL-2 "Ø28"

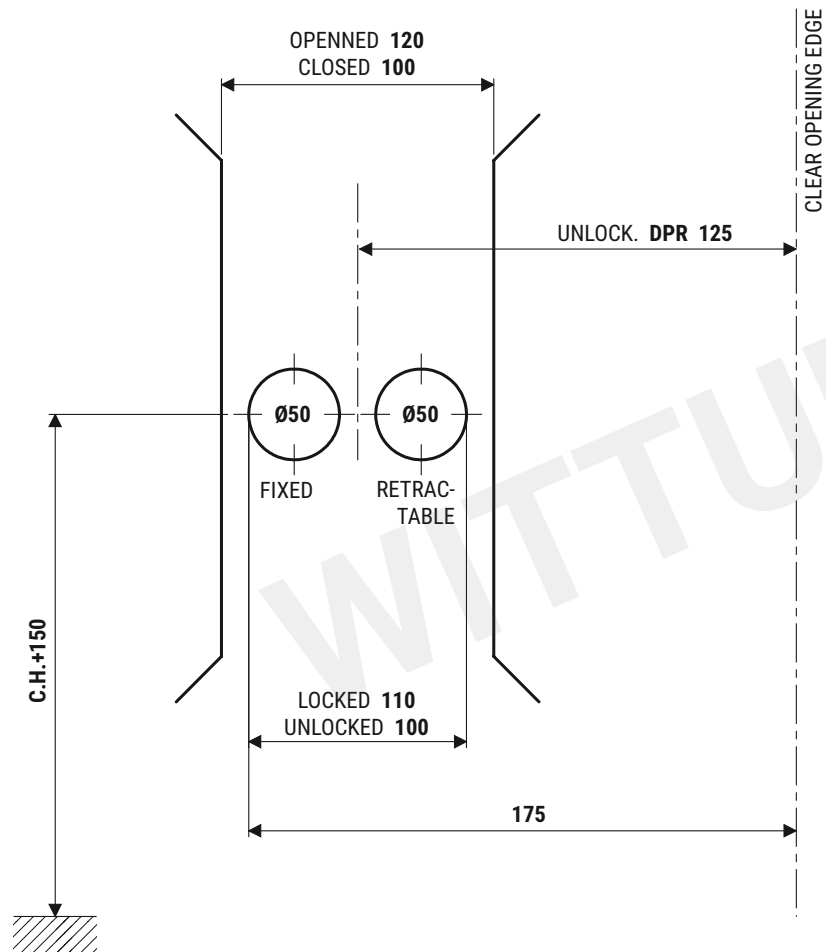


Important : Check the measure and change if different. Coupler and lock are drawn from the floor.

Informations : Any other reproduction in any form without Wittur permission is prohibited. Text and photos are non-contractual and are subject to change without notice.



**E1-AL "Ø50"**

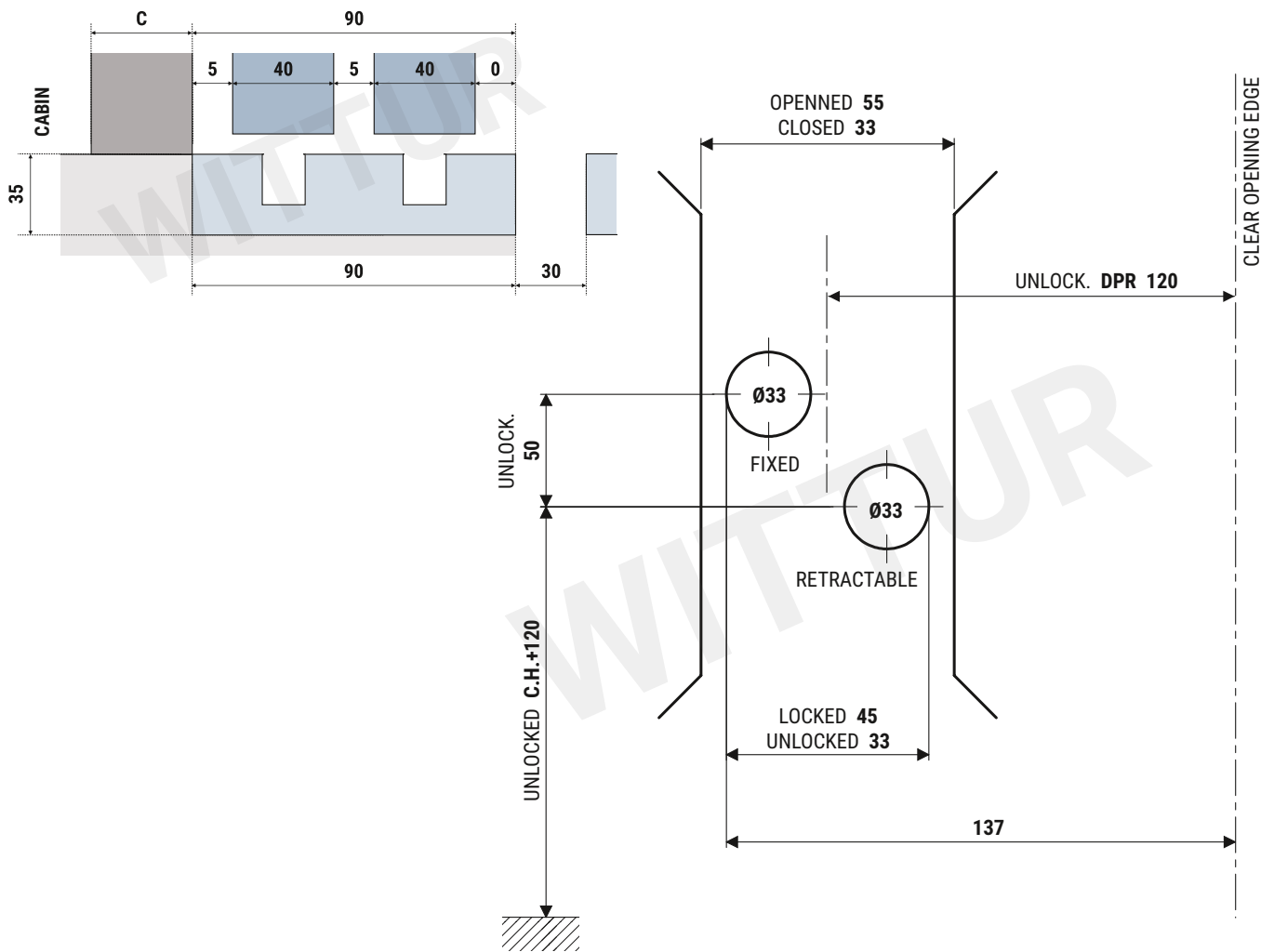


Important : Check the measure and change if different. Coupler and lock are drawn from the floor.

Informations : Any other reproduction in any form without Wittur permission is prohibited. Text and photos are non-contractual and are subject to change without notice.



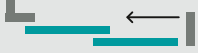
K90



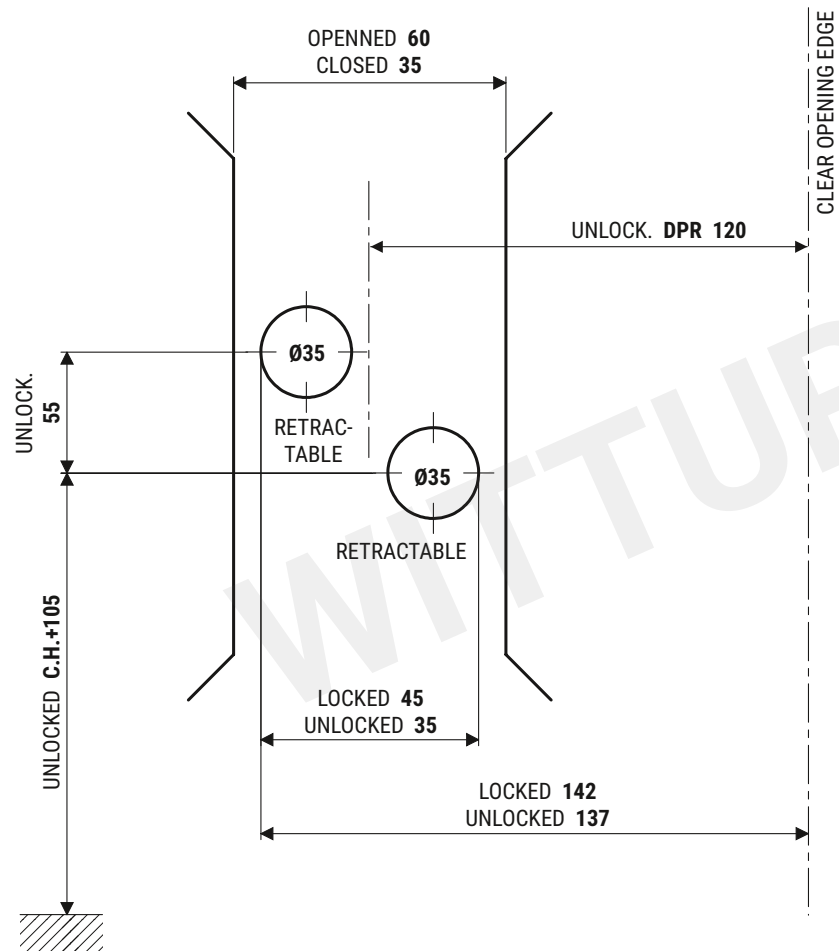
Important : Check the measure and change if different. Coupler and lock are drawn from the floor.

Informations : Any other reproduction in any form without Wittur permission is prohibited. Text and photos are non-contractual and are subject to change without notice.





WeM<sup>+</sup>D  
**FERMATOR**  
ID0119A



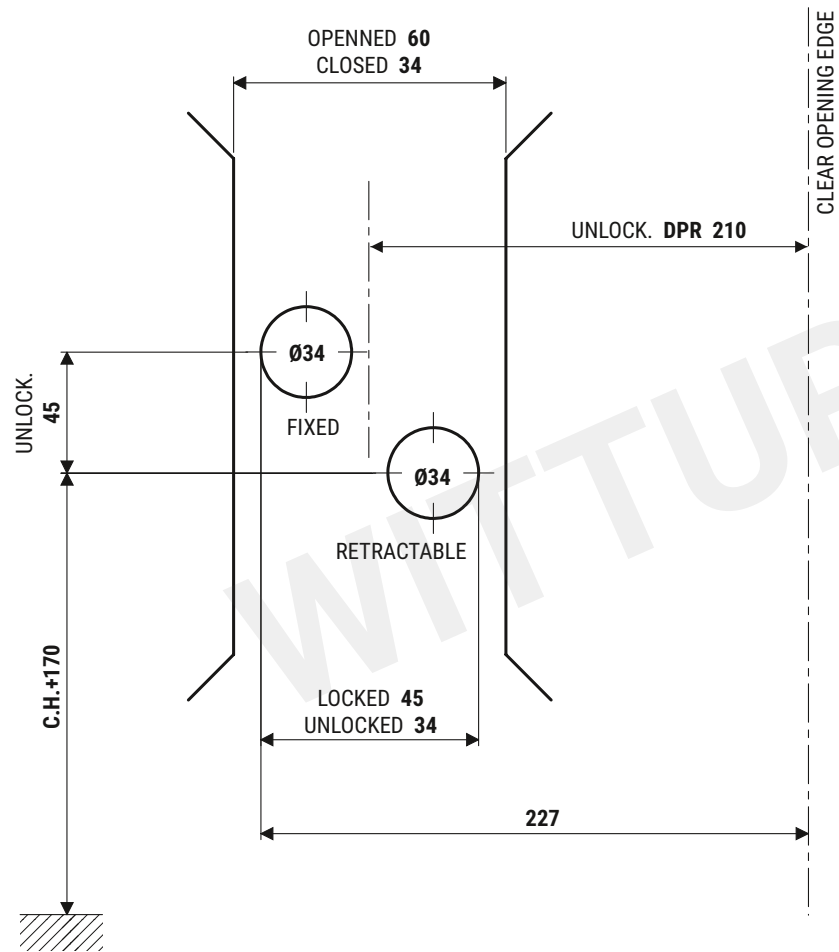
Important : Check the measure and change if different. Coupler and lock are drawn from the floor.

Informations : Any other reproduction in any form without Wittur permission is prohibited. Text and photos are non-contractual and are subject to change without notice.



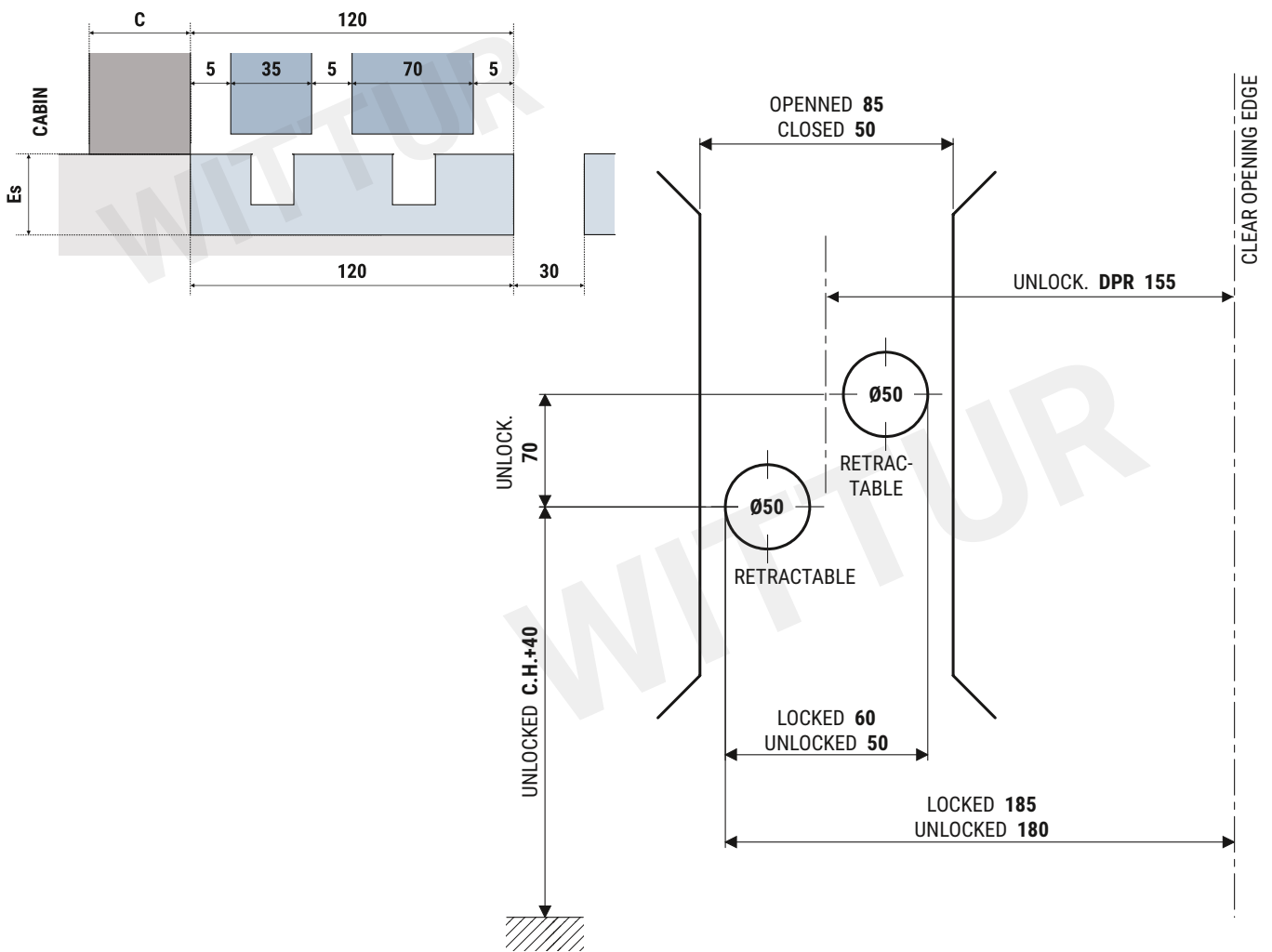
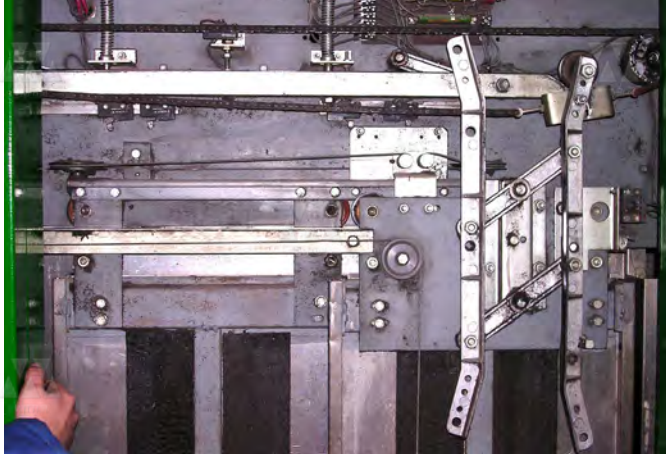
EURO 91

EURO 91 - 0051



Important : Check the measure and change if different. Coupler and lock are drawn from the floor.

Informations : Any other reproduction in any form without Wittur permission is prohibited. Text and photos are non-contractual and are subject to change without notice.



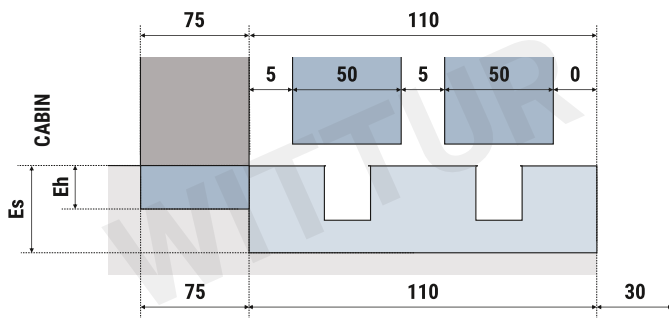
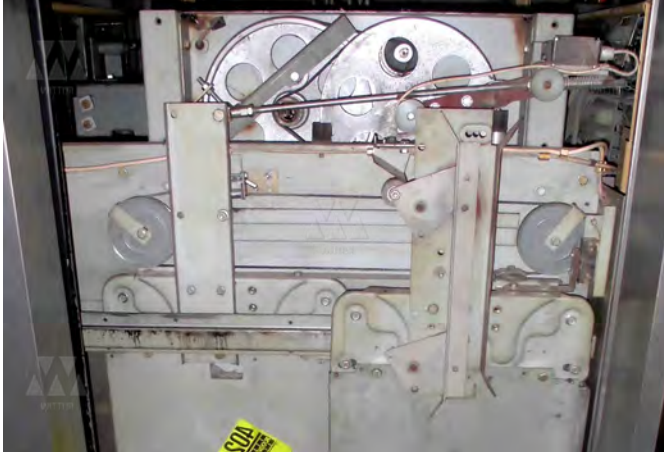
Important : Check the measure and change if different. Coupler and lock are drawn from the floor.

Informations : Any other reproduction in any form without Wittur permission is prohibited. Text and photos are non-contractual and are subject to change without notice.

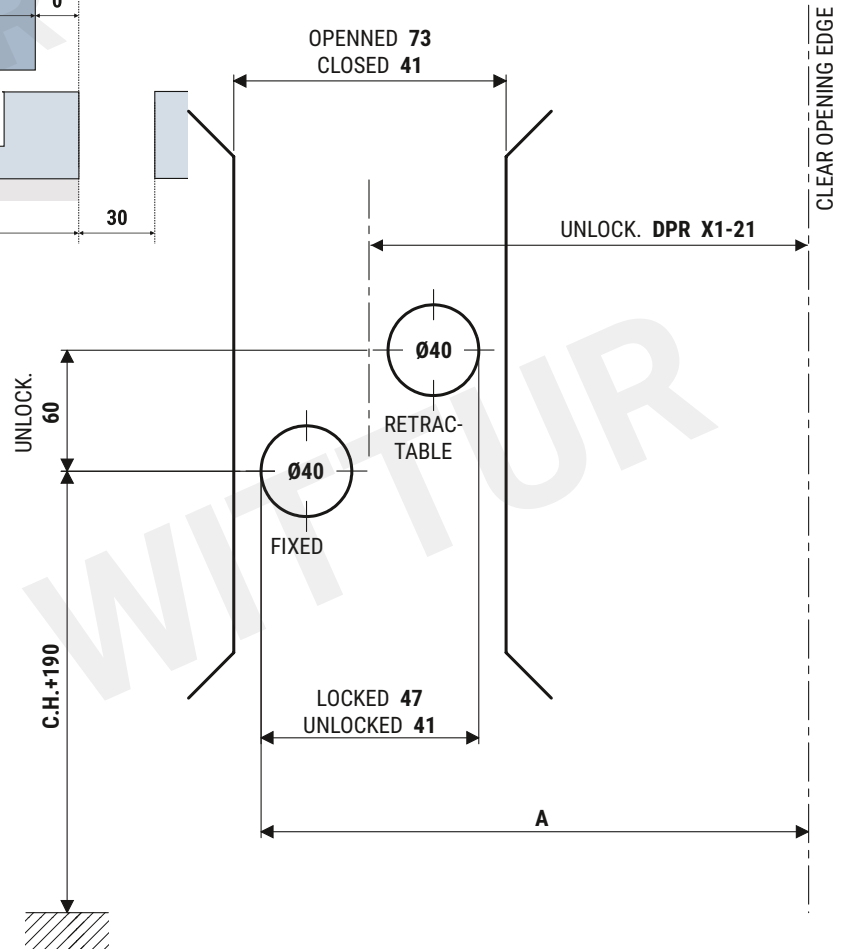


ADM-ADR

ADM-ADR

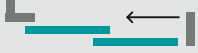


	A
700	210
800	235
900	260



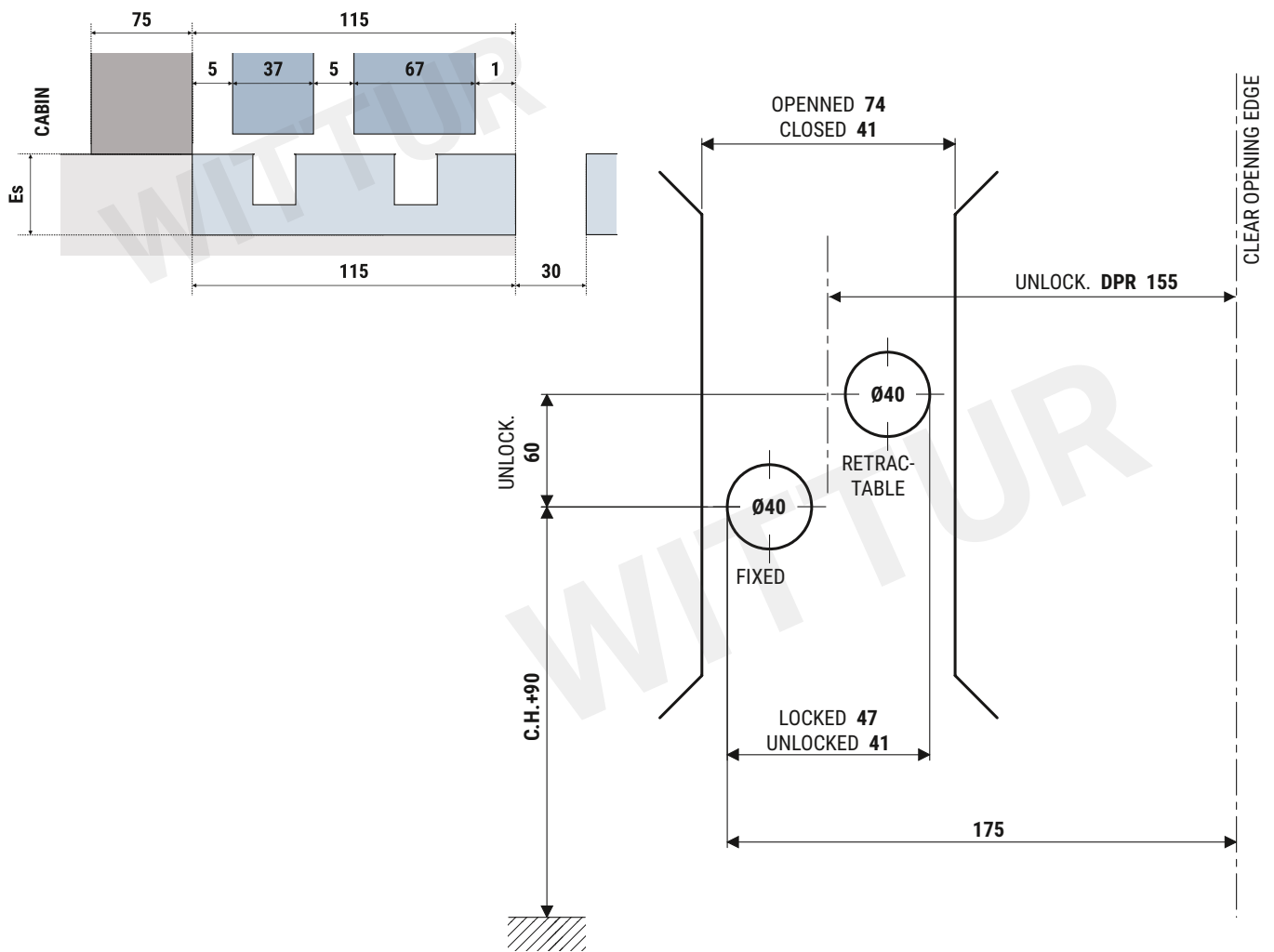
Important : Check the measure and change if different. Coupler and lock are drawn from the floor.

Informations : Any other reproduction in any form without Wittur permission is prohibited. Text and photos are non-contractual and are subject to change without notice.



### ADB-ADE-OAK

### OAK45



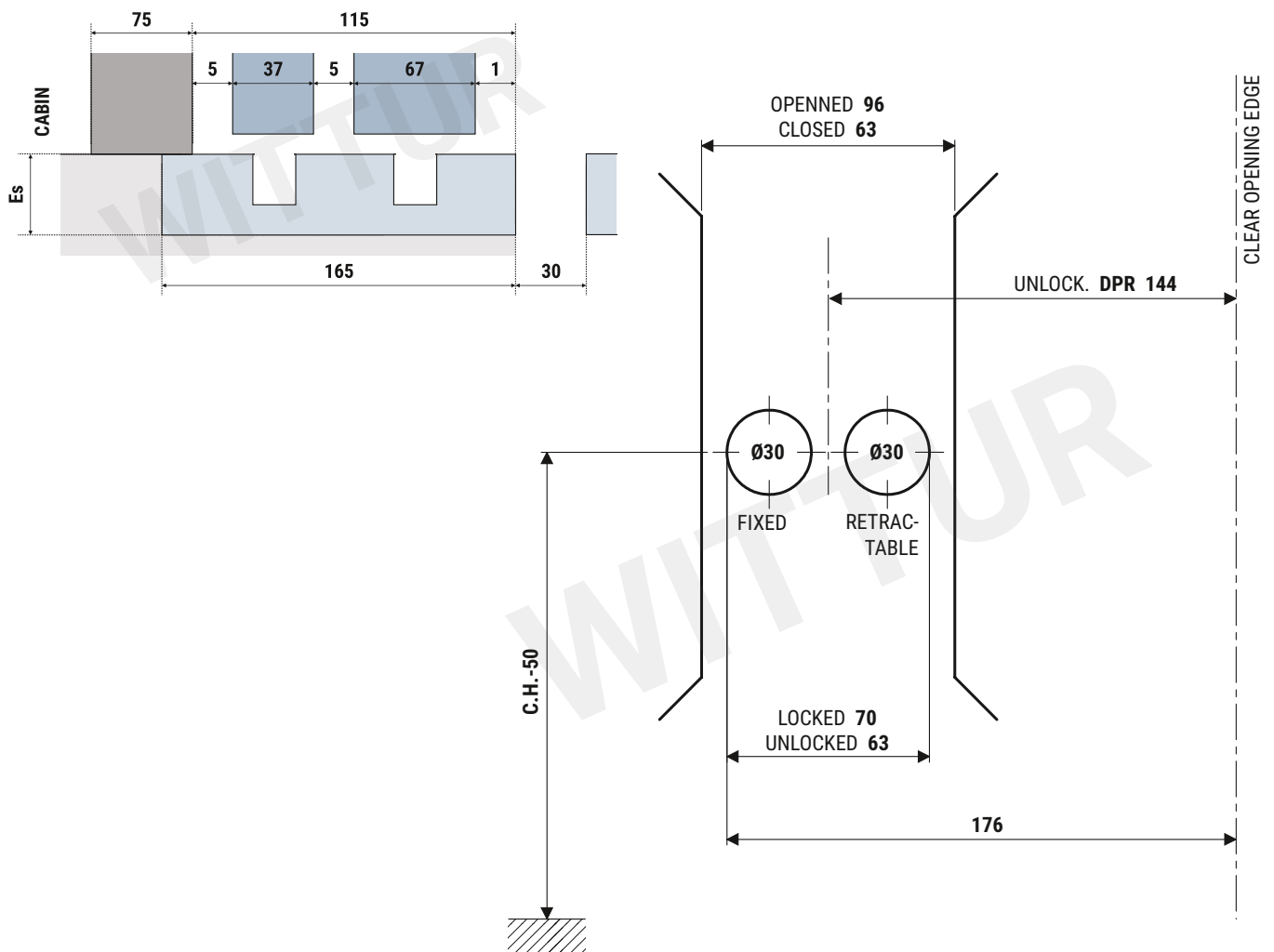
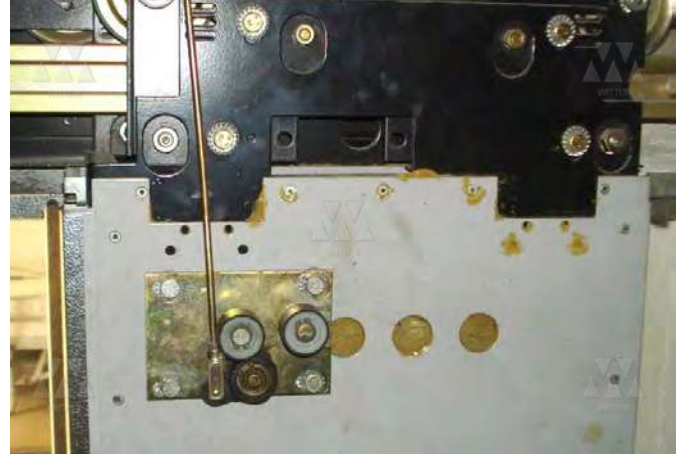
Important : Check the measure and change if different. Coupler and lock are drawn from the floor.

Informations : Any other reproduction in any form without Wittur permission is prohibited. Text and photos are non-contractual and are subject to change without notice.



ADC-ADF

ADL



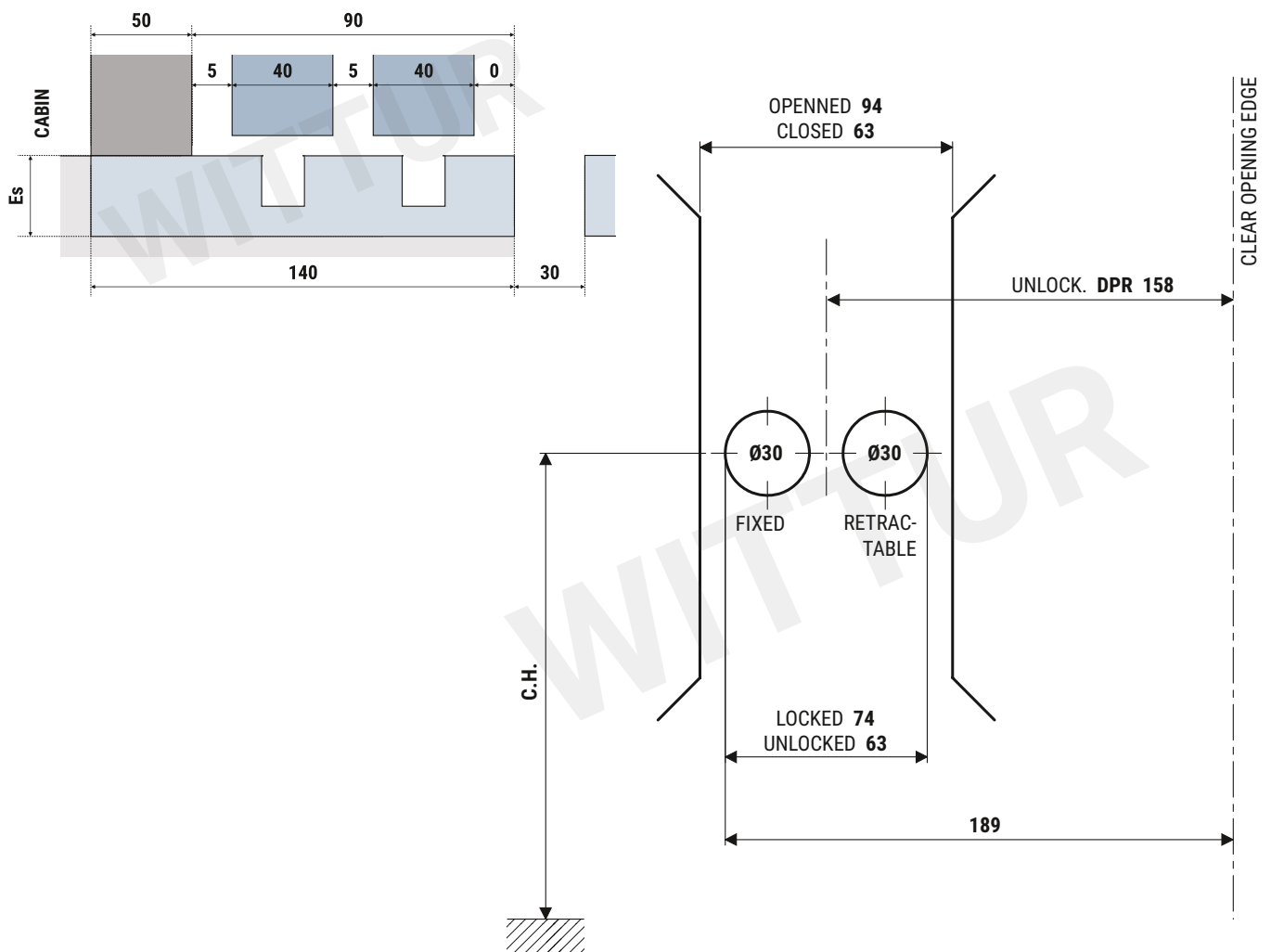
Important : Check the measure and change if different. Coupler and lock are drawn from the floor.

Informations : Any other reproduction in any form without Wittur permission is prohibited. Text and photos are non-contractual and are subject to change without notice.



**ADX**

**ADX**



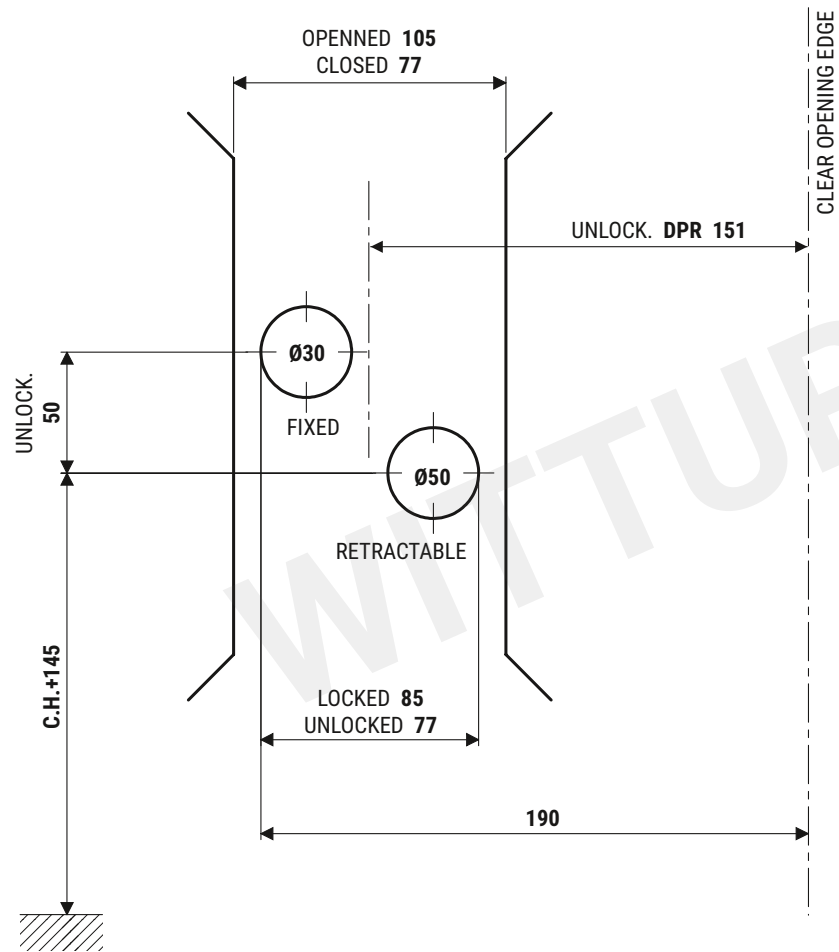
Important : Check the measure and change if different. Coupler and lock are drawn from the floor.

Informations : Any other reproduction in any form without Wittur permission is prohibited. Text and photos are non-contractual and are subject to change without notice.



AMDC2R/L - ADV2R/L

AMDL2-R1 - ADV2

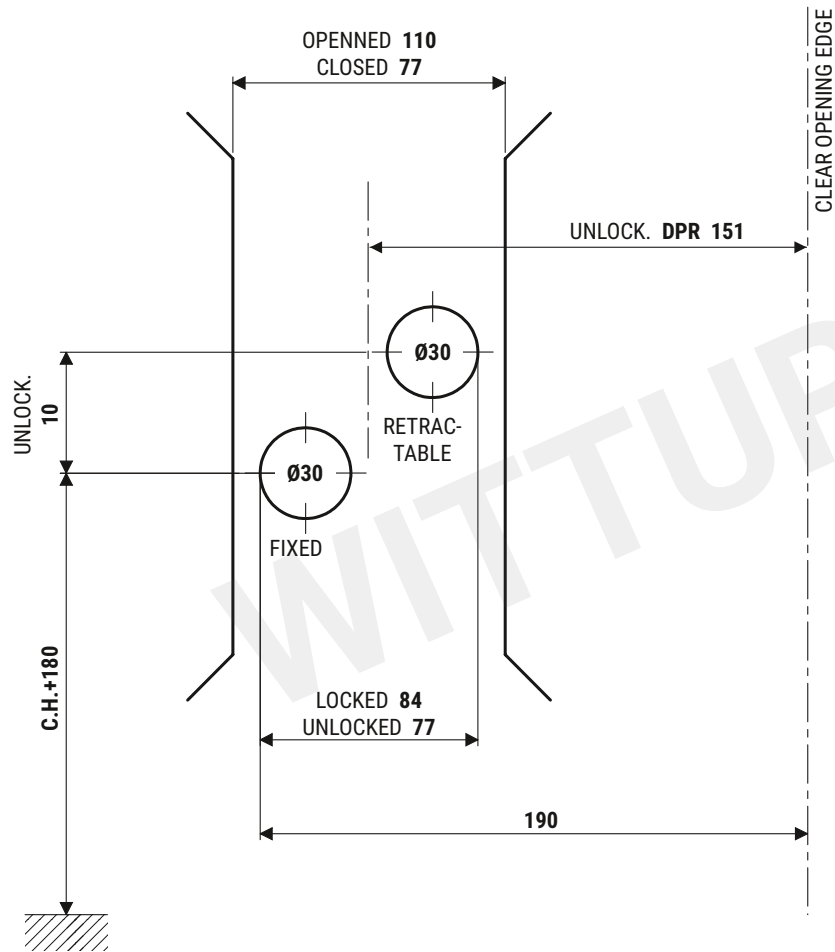


Important : Check the measure and change if different. Coupler and lock are drawn from the floor.

Informations : Any other reproduction in any form without Wittur permission is prohibited. Text and photos are non-contractual and are subject to change without notice.



### AMDL2-R2



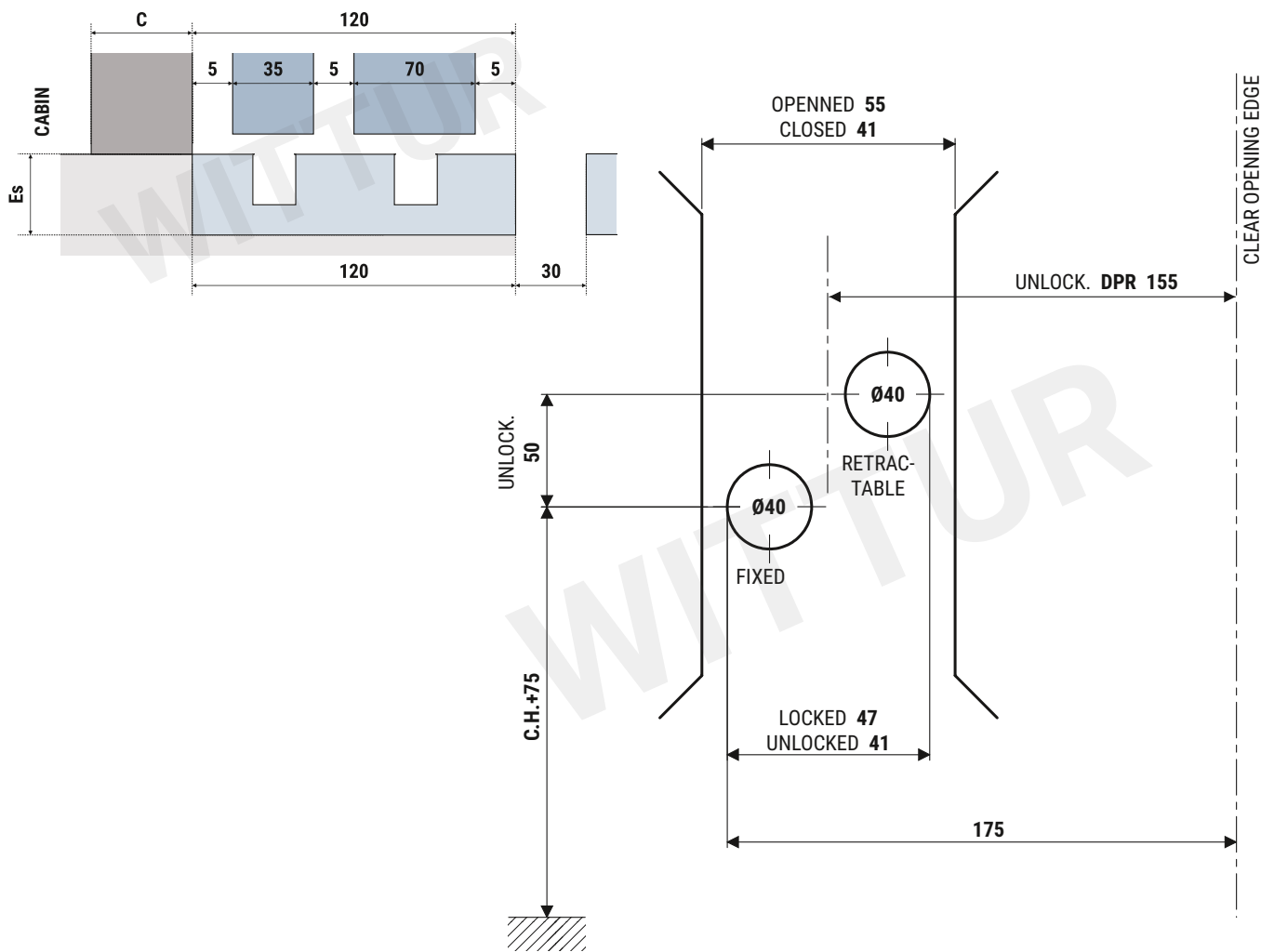
Important : Check the measure and change if different. Coupler and lock are drawn from the floor.

Informations : Any other reproduction in any form without Wittur permission is prohibited. Text and photos are non-contractual and are subject to change without notice.



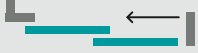
HYDRA "MOD"

PROKODIS SM90/97



Important : Check the measure and change if different. Coupler and lock are drawn from the floor.

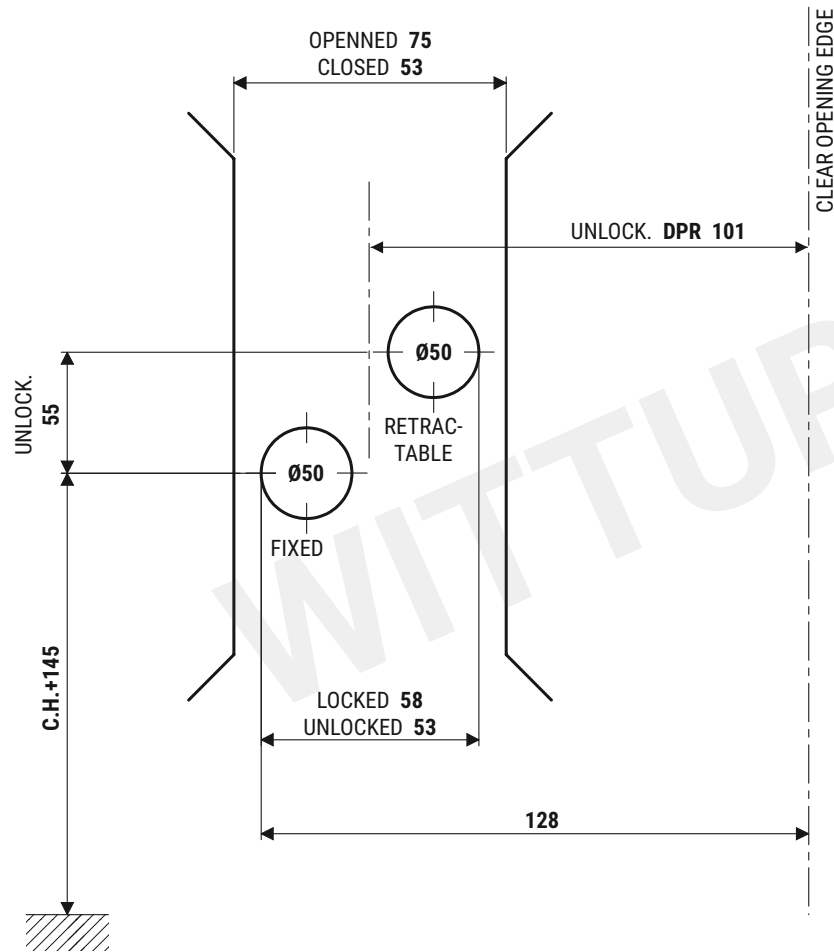
Informations : Any other reproduction in any form without Wittur permission is prohibited. Text and photos are non-contractual and are subject to change without notice.



**STARLIFT**

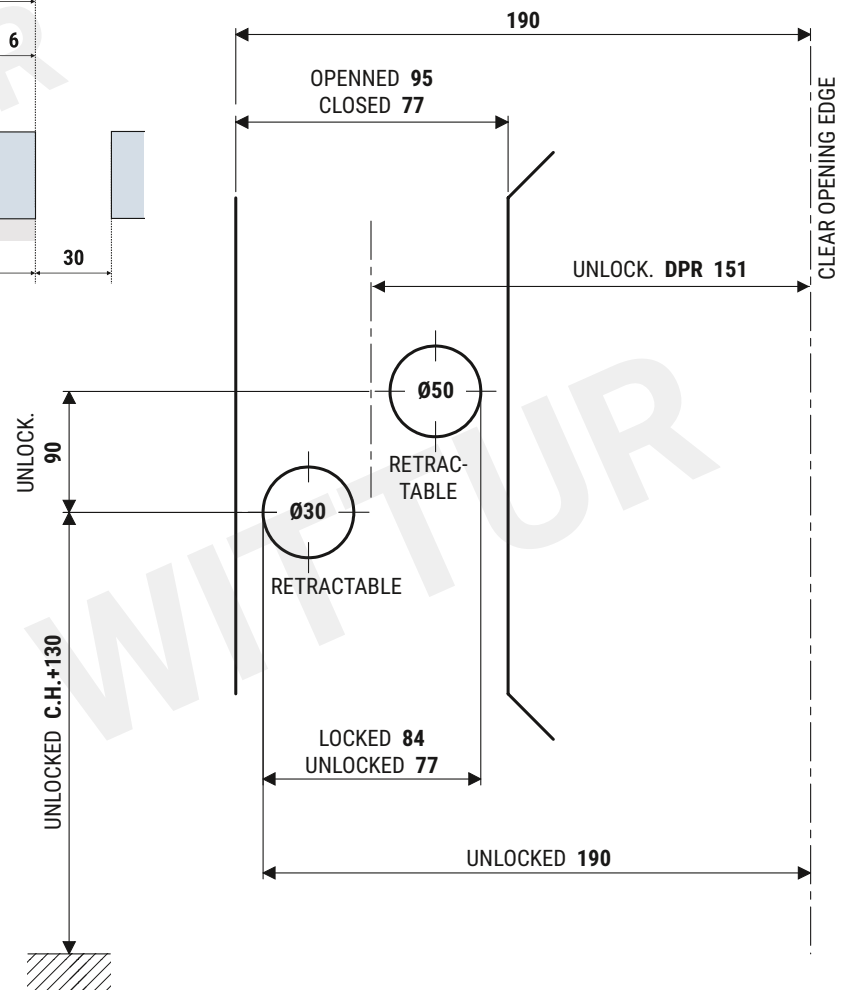
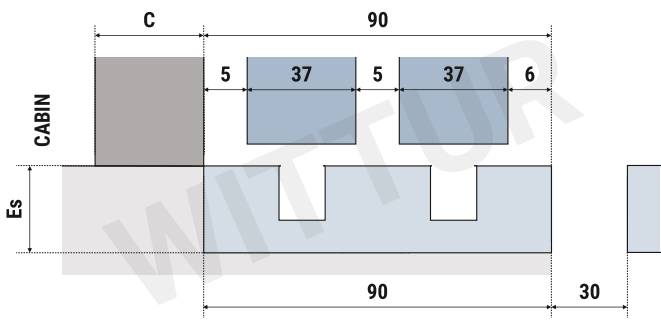


**STARLIFT**



Important : Check the measure and change if different. Coupler and lock are drawn from the floor.

Informations : Any other reproduction in any form without Wittur permission is prohibited. Text and photos are non-contractual and are subject to change without notice.



Important : Check the measure and change if different. Coupler and lock are drawn from the floor.

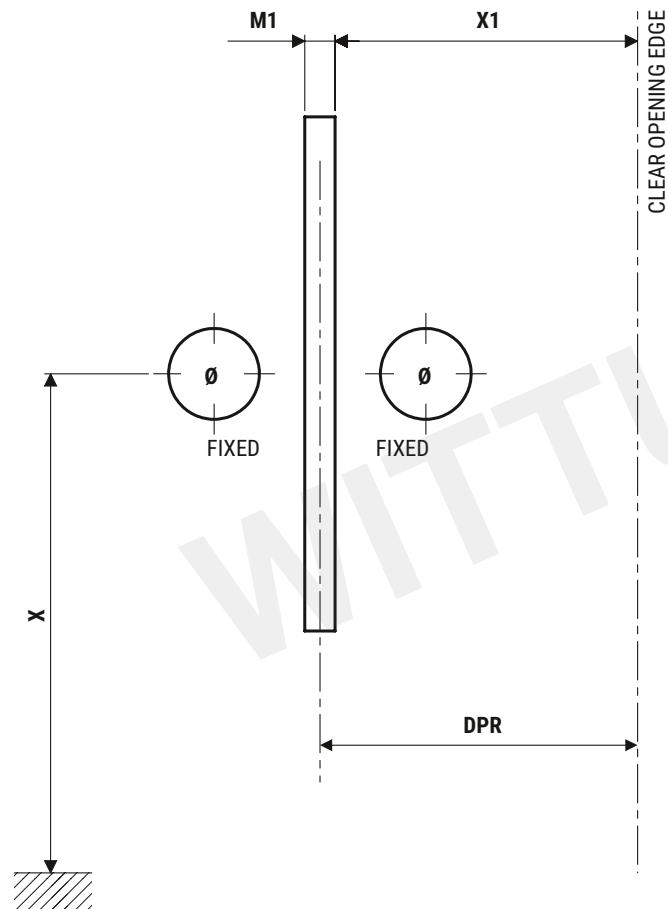
Informations : Any other reproduction in any form without Wittur permission is prohibited. Text and photos are non-contractual and are subject to change without notice.



**STARLIFT**



**STARLIFT**



Important : Check the measure and change if different. Coupler and lock are drawn from the floor.

Informations : Any other reproduction in any form without Wittur permission is prohibited. Text and photos are non-contractual and are subject to change without notice.

**PAP-12**

**TIPO C-9**



**?**

我々には沢山の解決策があります。

Nous avons la solutions pour vous!

Tenemos muchas soluciones para usted.

Mamy dla Ciebie wiele rozwiązań

Temos muitas soluções para si!

我们拥有丰富的解决方案

Wir haben eine Vielzahl von Lösungen für Sie!

We have a lot of solutions for you!

Abbiamo la soluzione adatta a te!

Prosimy o kontakt

お問い合わせください。

Rufen Sie uns an!

Please, contact us!

Contactez-nous!

请联系我们

... ¡llámenos!

por favor, contacte-nos

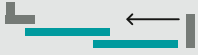
Contattaci!

**✓**



Important : Check the measure and change if different. Coupler and lock are drawn from the floor.

Informations : Any other reproduction in any form without Wittur permission is prohibited. Text and photos are non-contractual and are subject to change without notice.



**ALCALA II**

**23400 A**



**?**

我々には沢山の解決策があります。

Nous avons la solutions pour vous!

Tenemos muchas soluciones para usted.

Mamy dla Ciebie wiele rozwiązań

Temos muitas soluções para si!

我们拥有丰富的解决方案

Wir haben eine Vielzahl von Lösungen für Sie!

We have a lot of solutions for you!

Abbiamo la soluzione adatta a te!

Prosimy o kontakt

お問い合わせください。

Rufen Sie uns an!

Please, contact us!

Contactez-nous!

请联系我们

... ¡llámenos!

por favor, contacte-nos

Contattaci!

**✓**



Important : Check the measure and change if different. Coupler and lock are drawn from the floor.

Informations : Any other reproduction in any form without Wittur permission is prohibited. Text and photos are non-contractual and are subject to change without notice.

**Manufacturer**

ALJO .....	65, 142, 143	MACPUARSA .....	19, 84, 85
ARTIS .....	78	MONITOR .....	32, 33, 114, 115
ASKO KOMEPA .....	64, 144	ORONA .....	77, 147
AUTUR .....	31, 113	OTIS .....	22, 23, 24, 25, 50, 51, 55, 56, 57, 92, 93, 94, 134, 135, 138, 139, 159
CAMUS .....	129	PRISMA .....	95
CANOSSA .....	60, 124	PUARSA .....	18, 83
CMM .....	146	SCHINDLER ..	26, 27, 39, 40, 41, 42, 43, 58, 96, 97, 98, 99, 100, 101, 102, 103, 140
COMPORTEL .....	59, 141	SEMATIC .....	46, 47, 104, 105
EFACEC .....	128	SLYCMA .....	13, 14, 15, 49, 106, 107, 116, 117, 127
EXCELSIOR .....	122	THYSSEN ..	28, 29, 30, 34, 54, 75, 108, 109, 110, 111, 112, 121, 130, 158
FERMATOR .....	16, 17, 48, 86, 87, 125, 145	THYSSEN SORETEX .....	35, 36, 37, 52, 53, 118, 119, 120, 131, 132, 133
FIAM .....	62, 66, 136, 156	WITTUR-SELCOM-WEGAM .....	10, 11, 12, 63, 80, 81, 82, 137
FORSID .....	44, 45, 88, 89		
IGV .....	61, 126		
KONE .....	68, 69, 70, 71, 74, 76, 148, 149, 150, 151, 155, 157		
KONE "WITTUR AMD" .....	72, 73, 152, 153		
KONE WESTINGHOUSE .....	20, 21, 38, 67, 90, 91, 123, 154		

**Coupler**

2000 B .....	46, 104	JET .....	15
2000 C-MOD .....	47, 105	JET-P .....	117
40.10 .....	16, 86	KONE RENOVA "MOD" .....	67
50.11 .....	17, 87	LINEAR D.O.S .....	95
ACC .....	78	LM .....	57, 139
ADB-ADE-OAK .....	69, 149	M2TD11 - RT300/RT301 .....	108
ADB-ADE-OAK "OP ADC" .....	70	M2TD11 - VF21/VF400 .....	109
ADC-ADF .....	71, 150	M2TD2 .....	110
ADM-ADR .....	68, 148	M2TD4 .....	120
ADX .....	76, 151	M2TD6 - BM200 .....	118
ALCALA II .....	159	M2TK8 .....	111
AMDC1C .....	72	M2ZD11 - RT300/RT301 .....	28
AMDC2R/L - ADV2R/L .....	152	M2ZD11 - VF21/VF400 .....	29
ARAGON .....	18, 83	M2ZD2 .....	30
C65 .....	58	M2ZD4 .....	35
C66 .....	140	M2ZD6 - BM200 .....	36
CENIA AT-84 .....	112	M2ZD6 - RT200,RT201 .....	37
CENIA BAKAR .....	54	M2ZD6 - RT200.RT201 .....	119
COMPACT .....	60, 124	NEW YORK .....	51, 135
DELLERBA .....	49, 127	NEW YORK 6970 .....	50, 134
DYN .....	14, 107	ORLY .....	55
DYN-P .....	116	OV .....	31, 113
E4A .....	20, 90, 91	OV L HP "LIVERPOOL" .....	25
ECOSIL .....	13, 106	P91 .....	34, 121
EURO 91 .....	146	PAP-10 .....	130
EUROPA .....	44, 56, 88, 138	PAP-12 .....	158
HYDRA "MOD" .....	21, 154	PAP-13 .....	75
HYDRABELT .....	12, 82	PAX .....	24, 94
HYDRAPLUS .....	10, 80	PRIMA 9550CC .....	22, 92
HYDRARM .....	11, 81		





QKS11 .....	26, 100	TYPE 74, 83, 94 .....	61, 126
QKS8 .....	40, 41, 96, 98	TYPE 85 .....	32, 114
QKS8T .....	97, 99	TYPE 92 .....	33, 115
QKS9 .....	39, 103		
REN200C "R" .....	73	VARIDOR 10 .....	101
REVECO 2 .....	84	VARIDOR 30 .....	42, 102
REVECO GO .....	19, 85	VARIDOR 30S .....	27
		VARIDOR 50 .....	43
SERIE A .....	62, 136	WESTINGHOUSE .....	38, 123
STARLIFT .....	74, 155, 157	WORLY SP2 - S259 .....	63
		WORLY SP2 - S279 .....	137
TECHNA .....	93	ZIP .....	45, 89
TECHNA DO2000 .....	23		

### Lock

085-OL .....	32, 114	M2TS11 / M2ZS11 .....	28, 108
1969 .....	20, 90	M2TS2 .....	110
2000 B .....	46, 104	M2TS4 .....	120
2000 C-MOD .....	47, 105	M2TS6 .....	118, 119
23400 A .....	159	M2TS8 A .....	111
40.10 .....	16, 86	M2Z ECD .....	29
50.11 .....	17, 87	M2ZS2 .....	30
92 VF .....	33, 115	M2ZS4 .....	35
9692 D/C .....	25	M2ZS6 .....	36, 37
9940 .....	55, 56, 57, 138, 139	MASSEN EP-05 .....	19, 85
		MASSEN PA91D .....	84
ADL .....	71, 150	MR .....	31, 113
ADM-ADR .....	68, 148		
ADX .....	76, 151	NEW YORK .....	50, 51, 134, 135
AMDL1-R1 .....	73	OAK45 .....	69, 70, 149
AMDL1-R2 .....	72		
AMDL2-R1 - ADV2 .....	152	POLYGAM .....	116, 117
AMDL2-R2 .....	153	PRIMA, PRIMA-S .....	24, 94
APC .....	78	PRIMA, PRIMA-S & TECHNA .....	22, 23, 92, 93
ARAGON .....	18, 83	PROKODIS SM90/97 .....	21, 67, 91, 154
C65 .....	58	T82 & T11 .....	97
C66 .....	140	QKS9T & C9 .....	103
C83 & C813 .....	41	QKS9Z & C9 .....	39
C83, C813 & C11 .....	26		
CC73 & CC75 .....	40	STARLIFT .....	74, 155, 157
CT72 & CT74 .....	98		
		T11 .....	101
DELLERBA .....	49, 127	QKS8T .....	99
DRIVE BLOCK .....	38, 123	T82 & T812 (T83) .....	96
		T82, T812 & T11 (T83) .....	100
E1-AL "Ø50" .....	65, 143	TIPO C-8 .....	130
E1-AL-2 "Ø28" .....	142	TIPO C-9 .....	158
ECOSIL .....	13, 14, 15, 106, 107	TYPE 74, 83, 94 .....	61, 126
EURO 91 - 0051 .....	146		
		VARILOCK 071 .....	27, 42, 102
HOOK LOCK .....	60	VARILOCK 50 H .....	43
HYDRA .....	10, 11, 12, 80, 81, 82		
		WORLY SP2 - S253 .....	63
K90 .....	64, 144	WORLY SP2 - S273 .....	137
KRONENBERG LOCK .....	124		
		ZIP .....	44, 45, 88, 89
M2T ECD .....	109		



INDEX ID

IDENTIFICATION CAR AND LANDING DOORS

Index ID

ID0003A ..... 10	ID0054A ..... 105	ID0106A ..... 63
ID0004A ..... 11	ID0055A ..... 120	ID0107A ..... 122
ID0005A ..... 12	ID0056A ..... 118	ID0108A ..... 95
ID0006A ..... 13	ID0057A ..... 119	ID0109A ..... 99
ID0007A ..... 14	ID0058A ..... 114	ID0110A ..... 101
ID0008A ..... 15	ID0059A ..... 115	ID0111A ..... 27
ID0009A ..... 16	ID0060A ..... 134	ID0112A ..... 42
ID0010A ..... 17	ID0061A ..... 135	ID0113A ..... 102
ID0011A ..... 26	ID0062A ..... 132	ID0114A ..... 48
ID0012A ..... 22	ID0063A ..... 133	ID0115A ..... 125
ID0013A ..... 23	ID0064A ..... 138	ID0116A ..... 136
ID0014A ..... 35	ID0065A ..... 139	ID0117A ..... 62
ID0015A ..... 36	ID0066A ..... 148	ID0118A ..... 54
ID0016A ..... 37	ID0067A ..... 149	ID0119A ..... 145
ID0017A ..... 32	ID0068A ..... 150	ID0120A ..... 84
ID0018A ..... 33	ID0069A ..... 151	ID0121A ..... 28
ID0019A ..... 40	ID0070A ..... 31	ID0122A ..... 108
ID0020A ..... 41	ID0071A ..... 113	ID0123A ..... 49
ID0021A ..... 39	ID0072A ..... 142	ID0124A ..... 127
ID0022A ..... 44	ID0073A ..... 64	ID0125A ..... 38
ID0023A ..... 45	ID0074A ..... 144	ID0126A ..... 123
ID0024A ..... 46	ID0075A ..... 129	ID0127A ..... 159
ID0025A ..... 50	ID0076A ..... 24	ID0128A ..... 124
ID0026A ..... 51	ID0077A ..... 128	ID0129A ..... 60
ID0027A ..... 52	ID0079A ..... 47	ID0130A ..... 157
ID0028A ..... 53	ID0080A ..... 137	ID0131A ..... 21
ID0029A ..... 55	ID0081A ..... 116	ID0132A ..... 43
ID0030A ..... 56	ID0082A ..... 117	ID0133A ..... 91
ID0031A ..... 57	ID0083A ..... 131	ID0134A ..... 67
ID0032A ..... 68	ID0084A ..... 70	ID0135A ..... 154
ID0033A ..... 69	ID0085A ..... 77	ID0136A ..... 112
ID0034A ..... 71	ID0086A ..... 147	ID0137A ..... 34
ID0035A ..... 76	ID0087A ..... 143	ID0138A ..... 121
ID0037A ..... 80	ID0088A ..... 65	ID0139A ..... 130
ID0038A ..... 81	ID0089A ..... 18	ID0140A ..... 158
ID0039A ..... 82	ID0090A ..... 83	ID0141A ..... 75
ID0040A ..... 106	ID0091A ..... 19	ID0142A ..... 25
ID0041A ..... 107	ID0092A ..... 85	ID0143A ..... 72
ID0042A ..... 86	ID0093A ..... 59	ID0144A ..... 73
ID0043A ..... 87	ID0094A ..... 141	ID0145A ..... 152
ID0044A ..... 100	ID0095A ..... 20	ID0146A ..... 153
ID0045A ..... 96	ID0096A ..... 90	ID0147A ..... 30
ID0046A ..... 98	ID0097A ..... 58	ID0148A ..... 110
ID0047A ..... 103	ID0098A ..... 140	ID0149A ..... 111
ID0048A ..... 92	ID0099A ..... 29	ID0150A ..... 146
ID0049A ..... 93	ID0100A ..... 109	ID0151A ..... 78
ID0050A ..... 94	ID0102A ..... 66	ID0152A ..... 74
ID0051A ..... 88	ID0103A ..... 156	ID0153A ..... 155
ID0052A ..... 89	ID0104A ..... 61	ID0154A ..... 97
ID0053A ..... 104	ID0105A ..... 126	

# APPENDIX



WeFIX



WeHELPER



WeMOD



WeKIT



WePACK





Company		Contact	
Jobsite		Lift N°	
Address		City	

**DOOR TYPE**

HYDRAPLUS

PEGASUSPLUS

Type	Qté
02/C	
12/R	
12/L	
32/R	
32/L	
35/R	
35/L	
44/R	
62/C	
66/R	

**GENERAL INFORMATION**

Clear Opening : \_\_\_\_\_ mm      Clear Height : \_\_\_\_\_ mm

Height under fixing brackets : \_\_\_\_\_ mm

Operator :     Automatic       Semi-automatic

Panels type :     Blind       Glass framed       Full glass

Extra-course :     Without     With      Dimension : \_\_\_\_\_ mm

Standards :     EN 81-1/2       EN 81-71 cat 1 (HydraPlus)  
 EN 81-20/50       EN 81-71 cat 2 (PegasusPlus)

**OPERATEUR INFORMATIONS**

Protection grade :       IP 20       IP54

Car Door Lock :       Without       With

Motorisation :       MIDI       SUPRA       ECO (Not for Modernisation)

**EXISTING DOORS**

Landing doors type :

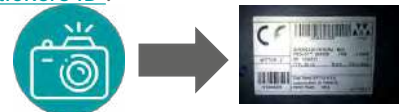
- Fire Certified and Not
- Fire Resistant
- Glass framed

Entrance(s) :

- 1 Entrance
- 2 Entrance
  - Operateur with a difficult access (Need an electronic board at side)

Headroom : \_\_\_\_\_ mm

Exising Stickers ID :



**TYPE OF COUPLER :**

Automatic



Following Catalogue => ID : \_\_\_\_\_

Following jobsite survey (Please, attached survey form and pics of : coupler, lock and sill)

Semi-automatic

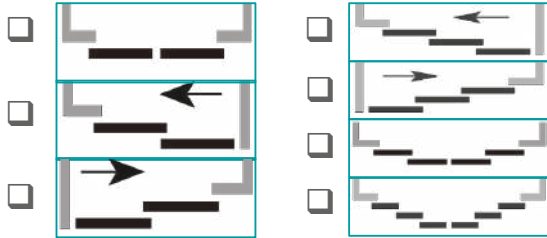
Withou mechanical realise system / Customer furniture (Electromagnetic vane)

With mechanical realise integrated (Please, attached survey form and pics of : coupler, lock and sill)

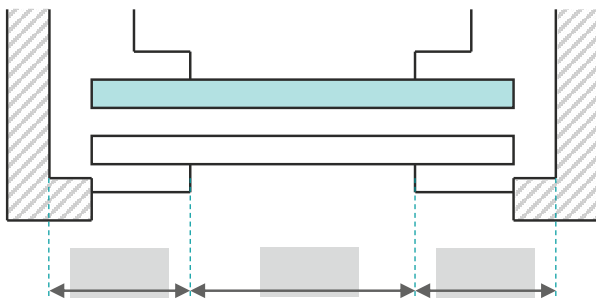




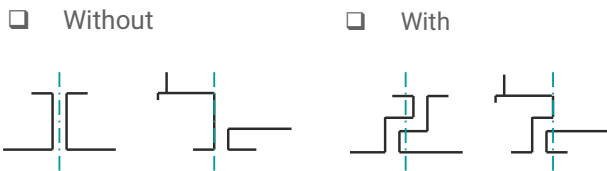
**1 TYPE :**



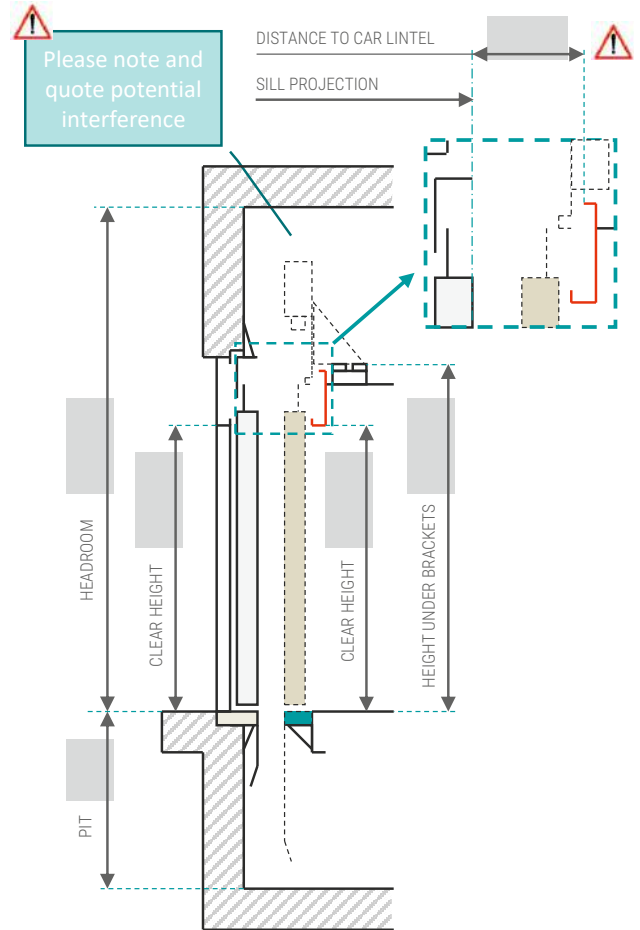
**3 SIDE DIMENSIONS :**



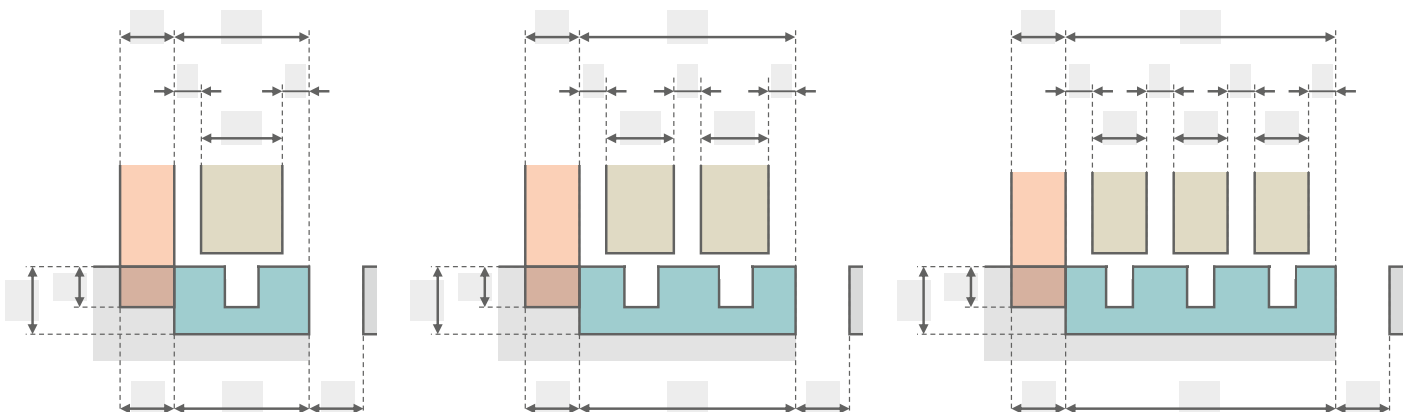
**4 RUNBY :**



**2 SIDE VIEW :**



**5 SILL :**



**6 PICS TO PROVIDE :**



- Operator & Lock
- Sill

Other :

- ID Stickers
- Mechanical Interferences

Any other reproduction in any form without Wittur permission is prohibited. Text and photos are non-contractual and are subject to change without notice.



# WeM<sup>OD</sup>

## SURVEY FORM

### CAR DOORS



### 7 COUPLER/LOCK (AUTOMATIC DOORS)

CLEAR OPENING EDGE or CENTRE

DIMENSIONS (mm)	CL	ML	DPRL / AL	XL	CR	MR	DPRR / AR	XR
UNLOCKED								
LOCKED								

### 8 LOCK (SWINGDOOR)

OL	ML	ROLLER HEIGHT	DIMENSIONS (mm)	OR	MR	ROLLER HEIGHT
			UNLOCKED			
			LOCKED			

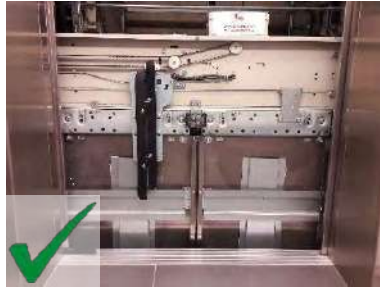
Any other reproduction in any form without Wittur permission is prohibited. Text and photos are non-contractual and are subject to change without notice.



01 SILLS



02 OPERATORS



03 COUPLERS



04 LOCKS



ID STICKERS



INTERFERENCE !?



BAD PICS



05 OTHERS



Any other reproduction in any form without Wittur permission is prohibited. Text and photos are non-contractual and are subject to change without notice.



# THE ART OF MAKING TRACTION MACHINES

50 years ago our story started.  
Day by day,  
year by year,  
we have transformed our job in an art  
that distinguishes us all over the world.  
High quality traction machines.  
Reliable and long lasting.  
**Inimitable Gearboxes, Gearless and Compound**  
**A brand you can trust without reservation.**



**M65**



Horizontal / Vertical Installation  
Available with Brake on slow shaft (UCMP) - M65B

Typical applications with 480 mm TS

- 320 kg – 0,7 m/s – 1/50 – 3 R/10 – motor 3kW
- 400 kg – 1,0 m/s – 1/37 – 4 R/10 – motor 4kW



**M73**



Available with:

- Brake on slow shaft (UCMP) - M73B
- Support - M73S
- Extended shaft - M73AL
- Higher Static Load without support - M73H

Typical application with 480 TS

- 480 kg – 1,0 m/s – 1/37 – 5 R/10 – motor 5.5 kW



Simplicity and responsiveness are the two keys of our services and specially when it comes to Spare Parts.  
 With that mindset we create that catalogue in order to help your identification during you maintenance. Thousands of partson stock in our facilities, close to your jobsites, in order to ensure express deliveries up to 24h.

# Wittur Spare Parts



wittur.com



**3.000 references managed in stock and 5.000 in catalogue**



EXPRESS DELIVERY IN 48 HOURS  
 URGENT DELIVERY IN - 24 HOURS



A TEAM AT YOUR SERVICE



AVAILABLE STOCK LEVELS

[WWW.WITTURSPARES.COM](http://WWW.WITTURSPARES.COM)



**KIND REGARDS TO THE ONES WHO CONTRIBUTE AND SUPPORT  
FREDERIC AND MICHEL:**



Frederic RADLOWSKI



Michel LEMAIRE



Javier MIGUEL



Andrea PICCHIOTTI



Federica CODALLI



Javier SERAL



Viktor GYLLBACK

**Europe** is the most important market worldwide for door modernisation where **WITTUR** has a leadership thanks to many skilled people in the field (Tradings Company) and brilliant sales engineering teams that know how to customise our products in order to please our customers.

**Our multi-brand door modernisation solutions** are suitable for all applications that you and your service and/or modernisation technicians encounter in the field.

This catalogue has been designed by listening to your operational teams in order to offer solutions to your end customers in the shortest possible time.

- Identify car and landing doors easily;
- Associated statement sheets;
- Quote request support.

**What is our goal?** To provide you with the right tools so that you can develop your activities in the best possible conditions.





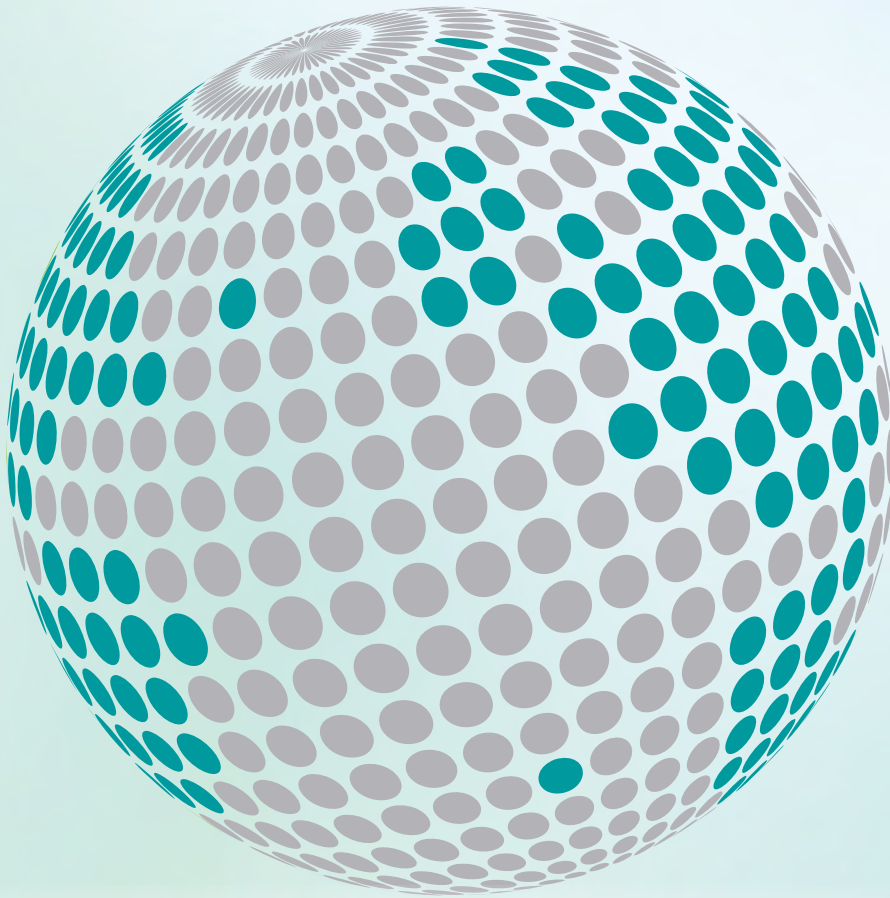
A series of horizontal dotted lines for writing notes, spanning the width of the page.





WITTUR

**YOUR GLOBAL PARTNER FOR COMPONENTS,  
MODULES AND SYSTEMS IN THE ELEVATOR INDUSTRY**



wittur.com

More information  
about Wittur Group  
available on-line.

